

# NEXO

INNOVATE

**αB1**  
SPARE PARTS

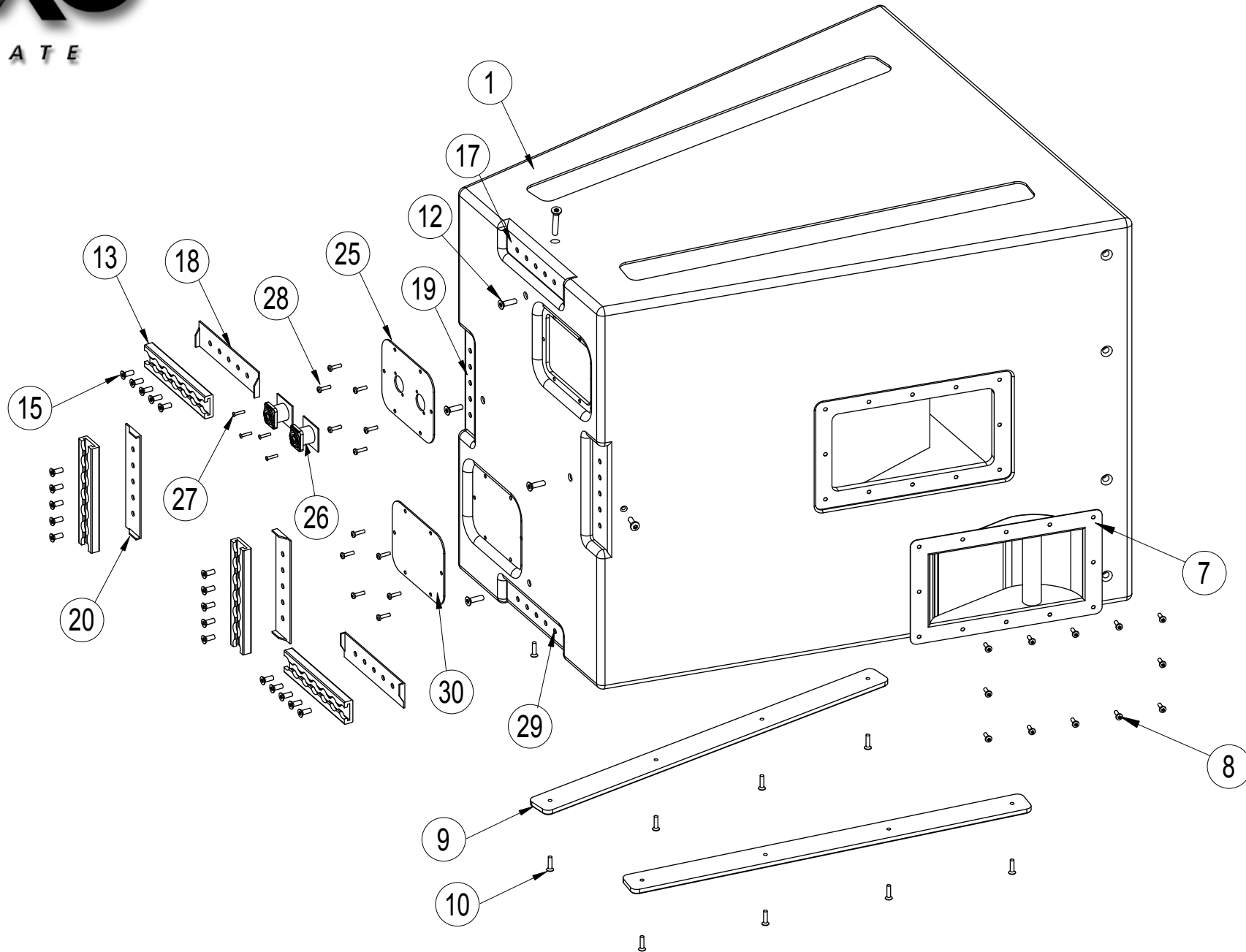
**NEXO-SA**  
AFTER SALE DEPARTMENT  
PARC DU PRE DE LA DAME JEANNE  
60128 PLAILLY

**FRANCE**  
Email : [gilbert.laporte@nex](mailto:gilbert.laporte@nex)

# NEXO

INNOVATE

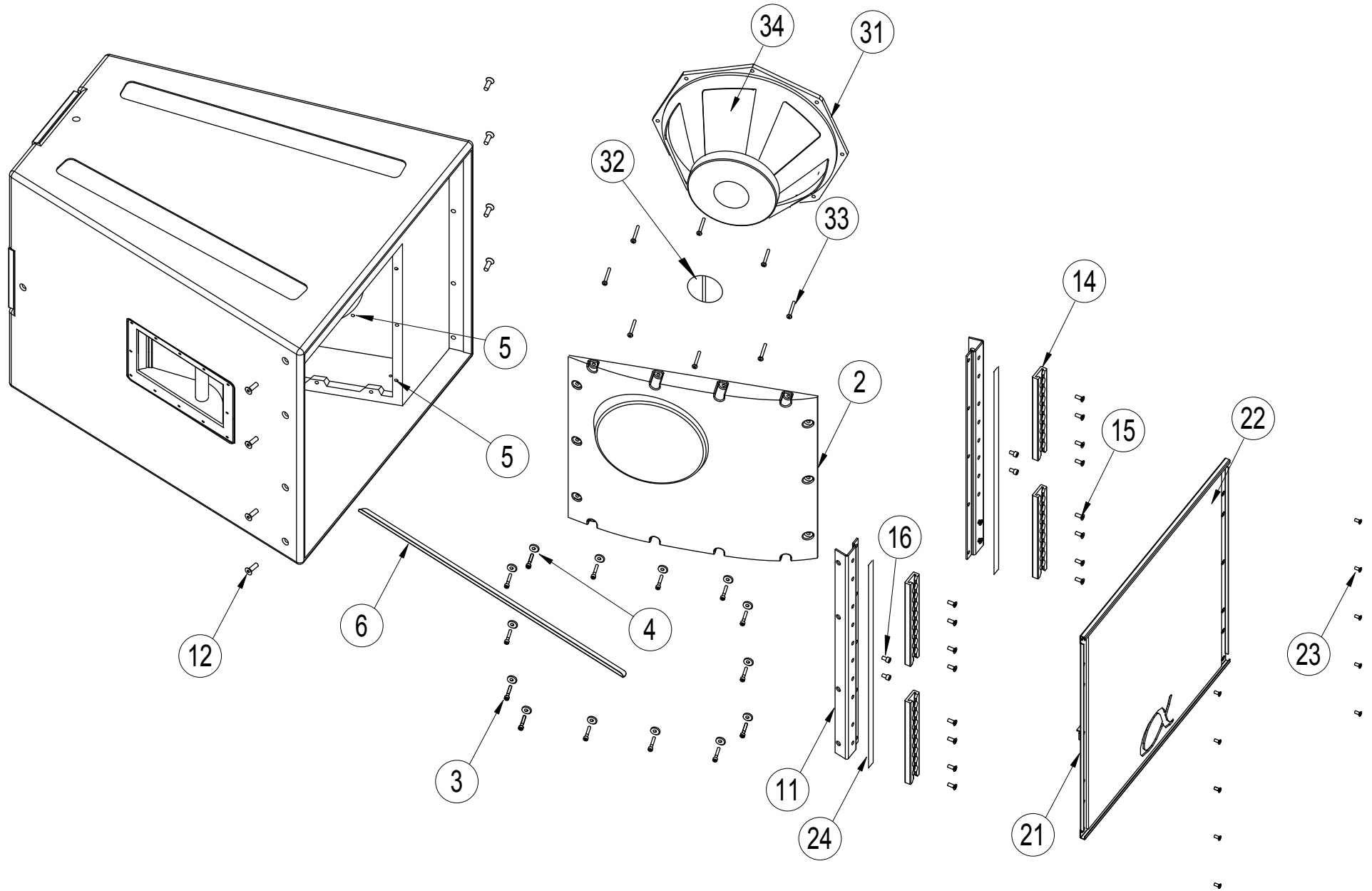
## ALPHA B1 REAR VIEW



# NEXO

INNOVATE

## ALPHA B1-18 FRONT VIEW



MARK	QUANTITY	ASSEMBLY	SUB ASSEMBLY	PART REFERENCE	DESIGNATION
<b>AL.B1</b>					
<b>1</b>	<b>1</b>	<b>05EBB1MOQ</b>		<b>05EBB1MOQ</b>	B1-15 EMPTY BOX CARPETED
<b>1</b>	<b>1</b>	<b>05EBB1PEINT</b>		<b>05EBB1PEINT</b>	B1-15 EMPTY BOX PAINTED
<b>2</b>	<b>1</b>			<b>05AL.B1-CFC</b>	B1 COMPLETE COMPOSITE CURVE
<b>3</b>	<b>14</b>			<b>05VXCHC535N</b>	BLACK TORX CYLINDRIC SCREW 6X35
<b>4</b>	<b>14</b>			<b>05VRX516N</b>	BLACK WHASHER 5X16
<b>5</b>	<b>22</b>			<b>05VGRAF5</b>	GRAF NUT 5mm
<b>6</b>	<b>1</b>			<b>05AMRALRB1</b>	B1/B118 SQUARE PLATE
<b>7</b>	<b>2</b>			<b>05AMBARGM</b>	METAL BAR HANDLE
<b>8</b>	<b>24</b>			<b>05VXTCC4.514N</b>	BLACK TORX VBA TCC SCREW 4.5X14
<b>9</b>	<b>2</b>			<b>05PATIN</b>	ALPHA M4/B1/S2 NYLON SKID
<b>9</b>	<b>2</b>			<b>05PATINPEINT</b>	ALPHA PAINTED SKID
<b>10</b>	<b>8</b>			<b>05VXTCFX520N</b>	BLACK TORX FLAT HEAD SCREW 5X20
<b>11</b>	<b>2</b>			<b>05KELP796</b>	SQUARE FOR RIGGING B1
<b>12</b>	<b>16</b>			<b>05VXTCFX825N</b>	BLACK TORX FLAT HEAD SCREW 8x25
<b>13</b>	<b>4</b>			<b>05RAIL6.5</b>	BLACK RAIL 6.5 MACHINED
<b>14</b>	<b>4</b>			<b>05RAIL9</b>	BLACK RAIL 9 MACHINED
<b>15</b>	<b>36</b>			<b>05VXTCFX616N</b>	BLACK TORX FLAT HEAD SCREW 6x16
<b>16</b>	<b>4</b>			<b>05VXTCX610N</b>	BLACK TORX CYLINDRIC SCREW 6X10
<b>17</b>	<b>2</b>			<b>05KELP90-2A</b>	ALPHA REAR STEEL PLATE
<b>18</b>	<b>2</b>			<b>05CACH90-1A</b>	ALPHA KELPING 90° BACK PLATE
<b>19</b>	<b>2</b>			<b>05KELP101-2A</b>	ALPHA M REAR STEEL PLATE
<b>20</b>	<b>2</b>			<b>05CACH101-1A</b>	ALPHA KELPING 101° BACK PLATE
<b>21</b>	<b>1</b>		<b>05AL.B1-CFA</b>	<b>05AL.B1-CFA</b>	B1 COMPLETE GRILL
<b>22</b>	<b>1</b>			<b>05MFAALPHAPM</b>	ALPHA M/B1 FOAM GRILL
<b>23</b>	<b>10</b>			<b>05VXTCFX512N</b>	BLACK TORX FLAT HEAD SCREW 5X12
<b>24</b>	<b>1.2</b>			<b>05JNEOP5X10</b>	NEOPREN GASKET 5X10
<b>25</b>	<b>1</b>		<b>05AL.B1-CFD</b>	<b>05AL.B1-CFD</b>	CONNECTION PLATE FOR B1 WITH ARTWORK
<b>26</b>	<b>2</b>			<b>05CNXNL4MP</b>	SPEAKON NL4MDV
<b>27</b>	<b>4</b>			<b>05VRI3.216N</b>	BLACK ALUMINIUM RIVET
<b>28</b>	<b>12</b>			<b>05VXCHB416N</b>	BLACK TORX BUTTON HEAD SCREW 4X16
<b>29</b>	<b>12</b>			<b>05VGRAF4</b>	GRAF NUT 4mm
<b>30</b>	<b>1</b>			<b>05CNX0804</b>	OWNER PLATE
<b>31</b>	<b>1</b>		<b>05N1560P-8</b>	<b>05N1560P-8</b>	BASS SPEAKER 15"
<b>32</b>	<b>1</b>			<b>05HPPLAQAR38</b>	HP 15" REAR PLATE
<b>33</b>	<b>8</b>			<b>05VXTCBX540N</b>	BLACK TORX BUTTON HEAD SCREW 5X40
<b>34</b>	<b>1</b>			<b>05N1560R/K</b>	RECONE KIT FOR 15" SPEAKER