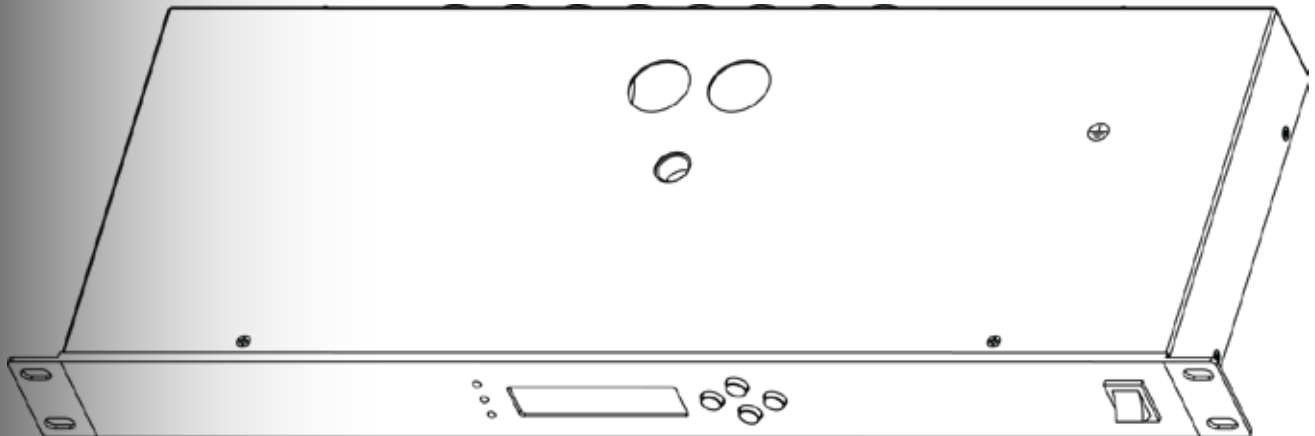


NET-X

User Manual

Firmware V2.62



CHAUVET[®]
PROFESSIONAL

Edition Notes

The Net-X User Manual Rev. 4 covers the description, safety precautions, installation, programming, operation, and maintenance of the Net-X. Chauvet released this edition of the Net-X User Manual in January 2016.

Trademarks

CHAUVET, the Chauvet logo and Net-X are registered trademarks or trademarks of Chauvet & Sons Inc. (d/b/a Chauvet and Chauvet Lighting) in the United States and other countries. Other company and product names and logos referred to herein may be trademarks of their respective companies.

Copyright Notice

The works of authorship contained in this manual, including, but not limited to, all design, text and images are owned by Chauvet.

© **Copyright 2017 Chauvet & Sons, LLC. All rights reserved.**

Electronically published by Chauvet in the United States of America.

Manual Use

Chauvet authorizes its customers to download and print this manual for professional information purposes only. Chauvet expressly prohibits the usage, copy, storage, distribution, modification, or printing of this manual or its content for any other purpose without written consent from Chauvet.

Document Printing

For better results, print this document in color, on letter size paper (8.5 x 11 in), double-sided. If using A4 paper (210 x 297 mm), configure your printer to scale the content accordingly.

Intended Audience

Any person in charge of installing, operating, and/or maintaining this product should completely read through this manual before installing, operating, or maintaining this product.

Disclaimer

Chauvet believes that the information contained in this manual is accurate in all respects. However, Chauvet assumes no responsibility and specifically disclaims any and all liability to any party for any loss, damage or disruption caused by any errors or omissions in this document, whether such errors or omissions result from negligence, accident or any other cause. Chauvet reserves the right to revise the content of this document without any obligation to notify any person or company of such revision, however, Chauvet has no obligation to make, and does not commit to make, any such revisions.

Document Revision

The Net-X User Manual Rev. 5 supersedes all previous versions of this manual. Discard any older versions of this manual and replace with this version. Go to www.chauvetprofessional.com for the latest version.

TABLE OF CONTENTS

1. Before You Begin	6
What Is Included.....	6
Unpacking	6
Claims	6
Conventions	6
Symbols.....	6
Safety Notes.....	7
2. Introduction	8
Product Description	8
Product Features	8
Additional Products	8
Product Overview	9
Product Dimensions	10
3. Setup And Installation	11
AC Power	11
Fuse Replacement	11
Mounting.....	12
Orientation.....	12
Mounting Diagram	12
Installation Guidelines	12
Signal Connections	13
Art-Net™ Connection	13
sACN Connection.....	13
Signal Connection Diagram	13
4. Configuration And Operation	14
Control Panel.....	14
Menu Map	15
Ethernet Configuration	16
Art-Net™ Subnet Address	16
Configuring IP Addresses.....	16
Configuring Art-Net™ Net Setting.....	16
Configuring DMX Outputs	17
Universes	17
Signal Merging	18
Indicators.....	18
Example Configurations	19
Example Configuration 1: Art-Net™ and DMX Sources.....	19
Example Configuration 2: sACN and DMX Sources	20
5. Technical Information	21
Maintenance	21
6. Technical Specifications	22
Dimensions And Weight	22
Power	22
Data Connections.....	22
Ordering	22
Returns	23
Contact Us	24
1. Antes de Empezar	26
Qué va Incluido	26
Desembalaje	26
Reclamaciones.....	26
Convenciones.....	26
Símbolos	26
Notas de Seguridad.....	27

2. Introducción	28
Descripción del Producto	28
Características del Producto	28
Productos Adicionales.....	28
Visión General del Producto.....	29
Dimensiones del Producto	30
3. Montaje e Instalación.....	31
Corriente Alterna	31
Sustitución del Fusible	31
Montaje.....	32
Orientación	32
Diagrama de Montaje	32
Pauta de Instalación	32
Conexión de señal.....	33
Conexión Art-Net™	33
Conexión sACN.....	33
Diagrama de Conexión de Señal	33
4. Configuración y Funcionamiento.....	34
Panel de Control.....	34
Mapa de Menú	35
Configuración Ethernet.....	36
Dirección de subred de Art-Net™	36
Configurar las direcciones IP	36
Configurar los ajustes de red Art-Net™	36
Configurar las salidas DMX.....	37
Universos	37
Mezcla de señal	38
Indicadores.....	38
Configuraciones de ejemplo.....	39
Configuración de ejemplo 1: Fuentes Art-Net™ y DMX.....	39
Configuración de ejemplo 2: fuentes sACN y DMX.....	40
5. Información Técnica	41
Mantenimiento.....	41
6. Especificaciones Técnicas	42
Dimensiones y Peso.....	42
Alimentación.....	42
Conexiones de Datos	42
Pedidos	42
Devoluciones.....	43
Contacto.....	44
1. Avant de Commencer	47
Contenu.....	47
Déballage	47
Réclamations.....	47
Conventions	47
Symboles.....	47
Consignes de Sécurité	48
2. Introduction	49
Description de l'Appareil.....	49
Caractéristiques de l'Appareil.....	49
Appareils Supplémentaires	49
Vue d'Ensemble du Produit.....	50
Dimensions de l'Appareil.....	51
3. Configuration et Installation	52
Alimentation CA.....	52
Remplacement des Fusibles	52
Instructions pour l'Installation	52

Montage	53
Orientation	53
Schéma de Montage	53
Connexions du Signal	54
Connexion Art-Net™	54
Connexion sACN	54
Schéma des Connexions de Signal	54
4. Configuration et Utilisation.....	55
Panneau de Commande	55
Plan du Menu	56
Configuration Ethernet	57
Adresse de sous-réseau Art-Net™	57
Configuration des adresses IP	57
Configuration du paramètre Net pour Art-Net™	57
Configuration des sorties DMX.....	58
Univers	58
Fusion de signaux	59
Indicateurs.....	59
Exemples de configurations	60
Configuration exemple 1 : Sources Art-Net™ et DMX	60
Configuration exemple 2 : sources sACN et DMX	61
5. Informations Techniques	62
Entretien	62
6. Spécificités Techniques	63
Dimensions et Poids.....	63
Alimentation.....	63
Connexions de Données	63
Commande.....	63
Renvois	64
Nous Contacter	65

1. Before You Begin

What Is Included

- Net-X
- Neutrik® powerCON® power cord
- Warranty card
- User Manual

Unpacking

Carefully unpack the Net-X and check that all the parts are in the package, and are in good condition.

Claims




Upon receipt, if the container or the contents (the product and included accessories) appear damaged from shipping, or show signs of mishandling, notify the carrier immediately, not Chauvet. Failure to do so in a timely manner may invalidate your claim with the carrier. In addition, keep the container and all the packing material for inspection.

For other issues such as missing components or parts, damage not related to shipping, or concealed damage, file a claim with Chauvet within 7 days of receiving the merchandise. For information on contacting Chauvet, see [Contact Us](#) at the end of this Manual.

Conventions

Convention	Meaning
1–512	A range of values
50/60	A set of values
Settings	A menu option
Menu > Settings	A sequence of menu options
<ENTER>	A button to be pressed
ON	A value to be entered or selected

Symbols

Symbols	Meaning
	Critical installation, configuration, or operation information. Failure to comply with this information may cause the product not to work, damage third-party equipment, or cause harm to the operator
	Important installation or configuration information. Failure to comply with this information may keep the product from working
	Useful information

Safety Notes

Please read the following Safety Notes carefully before starting to work with the product. These notes provide important safety information about the installation, usage, and maintenance.



- Always connect this product to a grounded circuit.
- Make sure the power cord is not crimped or damaged.
- Always connect this product to a power source with the proper voltage as listed on the product sticker.
- Do not operate the product if there is damage to the housing.
- This product is for indoor use only! It is rated IP20. Do not expose the product to rain or moisture.
- Always disconnect this product from power before cleaning it or changing the fuse.
- Never disconnect the product from the power source by pulling or tugging on the cord.
- If mounting the product overhead, always secure it using a safety cable.
- Make sure there are no flammable materials close to the product when it is operating.



- Never connect the product to a dimmer or a rheostat.
- Always install the product in a location with adequate ventilation.
- Do not operate the product in an ambient temperature higher than 104 °F (40 °C).
- This product contains no user-serviceable parts. Any reference to servicing in this User Manual will only apply to properly trained Chauvet certified technicians. Do not open the housing or attempt any repairs.
- Any damages caused by manual modifications are not subject to warranty. Chauvet will not accept liability for damage caused by unauthorized modifications or not observing the safety warnings and instructions in the manual.
- All applicable local codes and regulations apply for proper installation of this product.
- In the event of a serious operating problem, stop using the product immediately.
- If the product requires repair contact Chauvet. For more information see [Returns](#) and [Contact Us](#).
- To eliminate unnecessary wear and improve its lifespan, during periods of non-use completely disconnect the product from power via breaker or by unplugging it.



Keep this User Manual for future reference.

2. Introduction

Product Description

Net-X is a reliable and versatile rack-mountable ethernet-to-DMX adapter with an integrated optical DMX splitter and ethernet switch capability. It has two 5-pin DMX In ports and eight 5-pin DMX Out ports, all optically isolated. It takes up to 8 Art-Net™ or sACN universes simultaneously. The eight 5-pin DMX Out ports can be assigned to either of the DMX In ports or to one of the Art-Net™ or sACN universes. Neutrik® etherCON® ports are through ports that allow daisy chaining of Net-X units.

Net-X provides a reliable, highly customizable network infrastructure for complex control systems. Merge two controllers into the Net-X via DMX, Art-Net™, or sACN, supporting both LTP (Latest Takes Precedence) and HTP (Highest Takes Precedence) functions.

Product Features

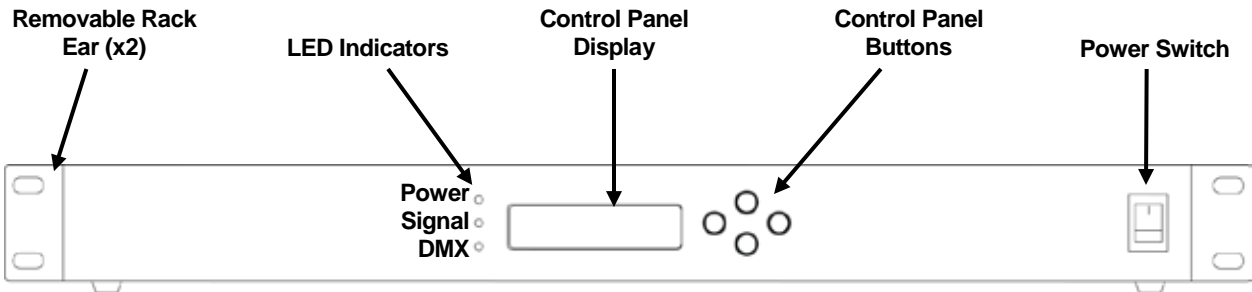
- Rack mountable
- Both an ethernet node and an optical splitter
- Eight optically isolated output ports
- Variable operating modes for all DMX outputs
- Two Neutrik® etherCON® in/through ports
- Merge two controllers via DMX, Art-Net™, or sACN

Additional Products

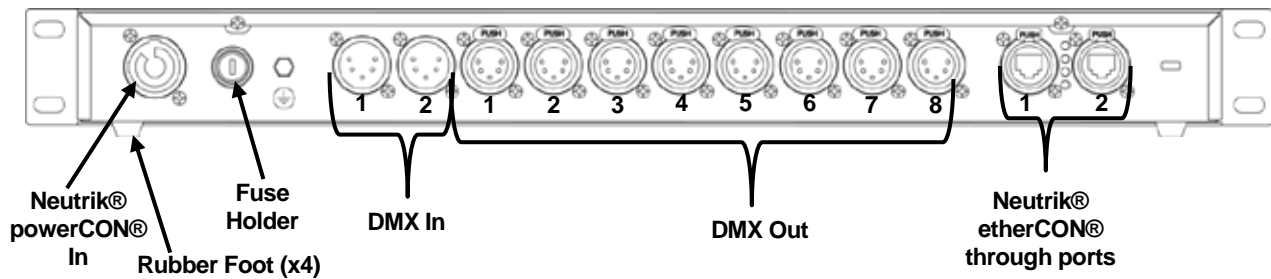
The Net-X is an adapter and switch combined that works as part of a control system. Chauvet has a line of video products and lighting products that work with the Net-X. For more information about compatible Chauvet products, see the Chauvet website at <http://www.chauvetlighting.com/product-manuals-literature/>.

Product Overview

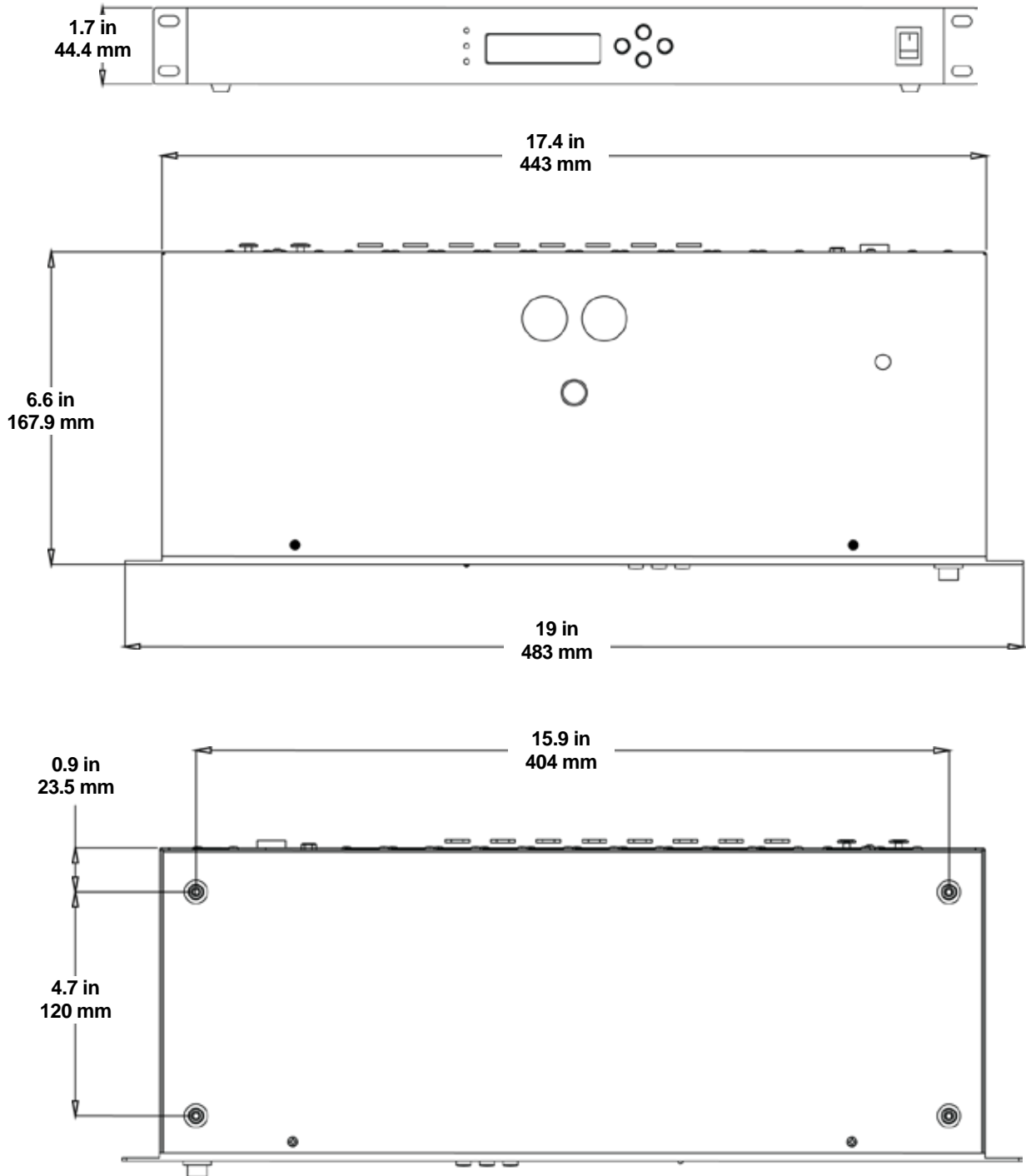
Front View



Back View



Product Dimensions



3. Setup And Installation

AC Power

Net-X has an internal auto-ranging power supply that works with an input voltage range of 100–240 VAC, 50/60 Hz. To determine the power requirements for the Net-X refer to the label affixed to the product or [Technical Specifications](#).

The listed rating indicates the maximum current draw during normal operation. For more information, download Sizing Circuit Breakers from the Chauvet website at www.chauvetprofessional.com.



- **Always connect this product to a properly grounded and protected circuit.**
- **Never connect this product to a rheostat (variable resistor) or dimmer circuit, even if the rheostat or dimmer channel serves only as a 0 to 100% switch.**
- **To eliminate unnecessary wear and improve its lifespan, during periods of non-use completely disconnect the product from power via breaker or by unplugging it.**

Fuse Replacement

The Net-X uses a T 250 mA, 250 V fuse accessible from the back of the product. To change the fuse, do the following:

1. Disconnect the product from power.
2. With a flat-head screwdriver, unscrew the fuse holder cap from the housing.
3. Remove the blown fuse.
4. Replace with a fuse of the same type and rating.
5. Screw the fuse holder cap back in place and reconnect power.



- **Disconnect the product from power before replacing the fuse.**
- **Always replace a blown fuse with another of the same type and rating.**

Mounting

Before mounting this product, read and follow the [Safety Notes](#). For our Chauvet line of mounting clamps, go to www.trusst.com/productcategory/accessories-clamps/.

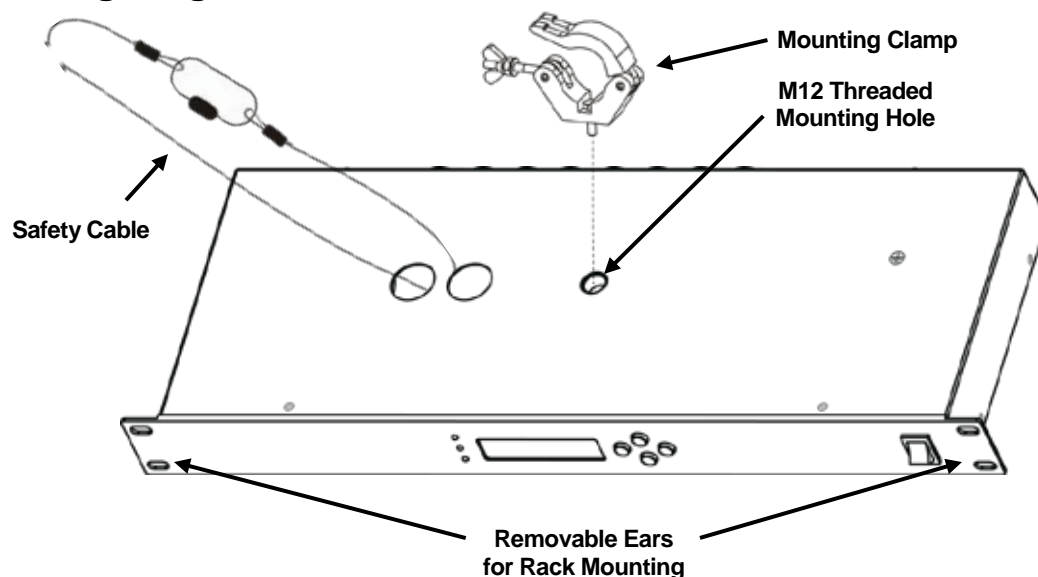
Orientation

Always mount this product in a safe position and make sure the menu and the ports are accessible and there is adequate room for ventilation, configuration, and maintenance. The Net-X fits nicely in a standard 19" rack, can be suspended upright or upside down, or it can be placed on its rubber feet on a flat level surface.

Use the following guidelines when mounting the Net-X:

- When selecting an installation location, consider easy access to this product for operation, programming adjustments, and routine maintenance.
- Make sure to mount this product away from any flammable material as indicated in the [Safety Notes](#).
- Never mount in places where rain, high humidity, extreme temperature changes, or restricted ventilation may affect the product.
- If hanging this product, make sure that the mounting location can support the product's weight. See the [Technical Specifications](#) for the weight-bearing requirements of this product.
- When hanging this product, always secure to a fastening device using a safety cable.
- Leave enough slack on the cables to prevent tension and pull on the plugs.

Mounting Diagram



Installation Guidelines

The Net-X is used as part of a control system for operating various lighting and multi-media products. The physical and digital construction of the control network is determined by the location and signal needs of the products.

When designing a control system that uses the Net-X, consider the following:

- Placing the Net-X so the menu and ports can be accessed
- Running the cables so there is no tension or pull on the cables or plugs
- Planning a large control system carefully before configuring the components, so IP address, DMX address, and other identifiers are not duplicated

Signal Connections

The Net-X receives signal through 2 DMX In ports and one of 2 Neutrik® etherCON® ports. It sends signal out through 8 DMX Out ports and the other Neutrik® etherCON® port.

Art-Net™ Connection

Art-Net™ is an Ethernet protocol that uses TCP/IP to transfer a large amount of DMX512 data using an etherCON® RJ45 connection over a large network. An Art-Net™ protocol document is available from www.chauvetprofessional.com. Art-Net™ designed by and copyright Artistic Licence Holdings Ltd.

sACN Connection

Also known as ANSI E1.31, streaming ACN is an Ethernet protocol that uses the layering and formatting of Architecture for Control Networks to transport DMX512 data over IP or any other ACN compatible network. ACN is maintained by the Professional Lighting and Sound Association (PLASA).

sACN Priority

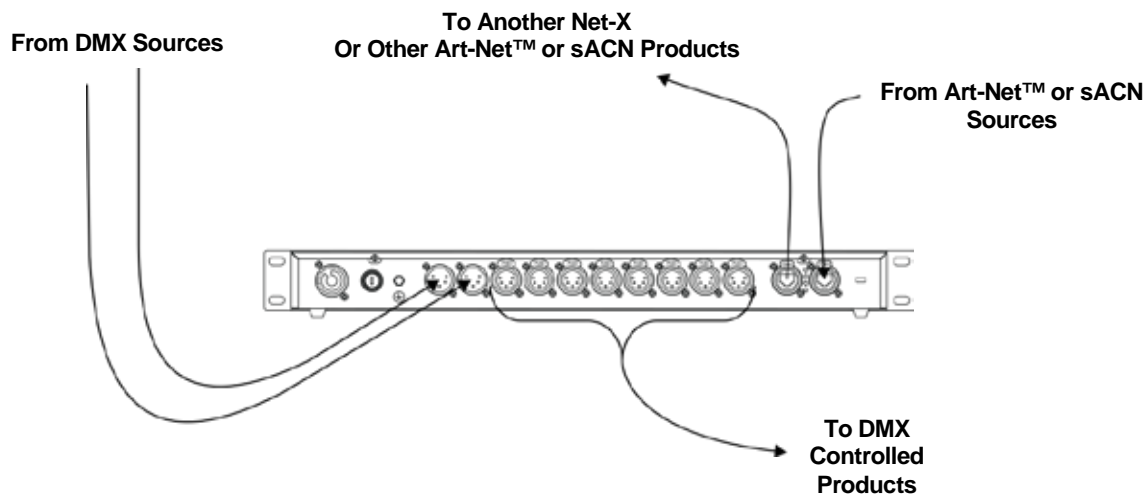
Priority is a number between 0 and 200 that is set by a controller sending an sACN signal. The higher the number, the higher the priority. Lower priority signals will be ignored whenever there is a higher priority signal present. If there is a lower priority signal present when a higher priority signal halts or stops for longer than 5 seconds, the next highest priority signal will be processed. This function allows for controllers to be set as a backup in case the main controller fails. Signals with a priority of 0 will be ignored.

In order for the Net-X to merge two sACN signals, they must have the same priority.

sACN Multicast

The Net-X allows sACN multicasting.

Signal Connection Diagram



- The Neutrik® etherCON® ports are through ports. Each port can be either an input or an output port.
- The DMX ports can only be input or output ports. There are 2 DMX In ports and 8 DMX Out ports.

4. Configuration And Operation

The Net-X is configured through the control panel, using the control panel buttons. Once the Net-X is properly configured it operates without user intervention.

The Net-X can be used as a DMX splitter, in which case the DMX In ports must be assigned to the DMX Out ports, but the Net, Subnet, and IP address settings may not need configuration.

The Net-X can be used as an Art-Net™ node, in which case the Art-Net™ universes must be assigned to the DMX Out ports, and the Net, Subnet, and IP address settings must be configured.

The Net-X can be used as an sACN node, in which case the sACN universes must be assigned to the DMX Out ports, and the IP address settings must be configured.

The Net-X can be used as both a DMX splitter and either an Art-Net™ or sACN node simultaneously, in which case both the DMX assignments and the Art-Net™ or sACN settings must be configured. For more information, see [Example Configurations](#).

The Net-X can be used to merge two DMX, Art-Net™, or sACN signals from different controllers and output as one signal, using LTP (Latest Takes Precedence) and HTP (Highest Takes Precedence) functions.



DMX In ports and Art-Net™ or sACN universes can be assigned to multiple DMX Out ports.

Control Panel

The control panel is the mechanism for configuring the Net-X settings. It has a small LCD screen and four buttons, which are described below.

Button	Function
<MENU>	Scrolls through the first level of options, or exits from the current menu or function
<UP>	Navigates upward through the menu list or increases the numeric value when in a function
<DOWN>	Navigates downward through the menu list or decreases the numeric value when in a function
<ENTER>	Enables the currently displayed menu or sets the currently selected value in to the current function

Menu Map

The menu map shows the organization of the configuration settings. Use it for reference when configuring the Net-X.

Firmware V2.62

Main Function	Programming Levels	Art-Net™	sACN	Description
<Net>	0–127	a		Sets the Net address
<Subnet>	0–15	a		Sets the Subnet address
<Universe #1> to <Universe #8>	0–15	a		Sets the Art-Net™ universe for the corresponding DMX Out port (only necessary when that DMX port is set to Art-Net™)
	1–255		a	Sets the sACN universe for the corresponding DMX Out port (only necessary when that DMX port is set to sACN)
<DMX Output #1> to <DMX Output #8>	ArtNet Input	a		Sets the input source for the DMX port to Art-Net™
	sACN Input		a	Sets the input source for the DMX port to sACN
	DMX #1 Input	a	a	Sets the input source for the DMX port to DMX In port 1
	DMX #2 Input	a	a	Sets the input source for the DMX port to DMX In port 2
	Without Input	a	a	Disables the DMX Out port
<IP Address #1> to <IP Address #2>	x*.xxx.xxx.xxx	a	a	Sets the IP addresses for the Net-X Note: The addresses cannot be the same
<Device ID>	xxxxxxxx	a	a	Shows the Net-X device ID
<Protocol>	ArtNet	a	a	Selects the Art-Net™ ethernet protocol
	sACN	a	a	Selects the sACN ethernet protocol
Net Merge>	OFF	a	a	Disables ethernet signal merging
	HTP	a	a	Sets ethernet signal merging to Highest Takes Precedence
	LTP	a	a	Sets ethernet signal merging to Latest Takes Precedence
<DMX Merge(beta)>	OFF	a	a	Reserved for future use.
	HTP	a	a	
	LTP	a	a	

* - In Art-Net™ mode, the beginnings of the IP addresses are set by the Net setting, to either:



- 2, for Net setting 0,
or
- 10, for Net setting 1.

* - In sACN mode, the beginnings of the IP addresses can be set to 2, 10, or 239.

Ethernet Configuration

To set the Net-X to receive and send either Art-Net™ or sACN, follow the instructions below:

1. Press **<MENU>** repeatedly until **<Protocol>** shows on the display.
2. Press **<ENTER>**.
3. Use **<UP>** or **<DOWN>** to select **ArtNet** or **sACN**.
4. Press **<ENTER>**.

Art-Net™ Subnet Address

There are 16 Subnet sets of 16 universes available to the Net-X, for a total of 256 universe addresses. The Subnet address must be configured if the Net-X is being used as an Art-Net™ node. The Net-X can only convert (to DMX) or merge Art-Net™ signals in the 16 universes within the Subnet it is assigned to.

The Universe address will always read **0–15**. For Universes 0–15, assign Subnet 0. For Universes 16–31, assign Subnet 1. For Universes 32–47, assign Subnet 2, and so on.

For example: to assign Universe 110 to a DMX Out port, set the Subnet address to **6**, and the Universe of that port to **14**. To assign Universe 200 to a DMX Out port, set the Subnet to **12** and the Universe of that port to **8**.

To assign the Subnet address, do the following:

1. Press **<MENU>** repeatedly until **<Subnet>** shows on the display.
2. Press **<ENTER>**. The number in the lower right-hand corner of the display flashes.
3. Use **<UP>** or **<DOWN>** to select the Subnet address, **0–15**.
4. Press **<ENTER>**.

Configuring IP Addresses

The IP addresses are the addresses of the Net-X on the network. They must be configured if the Net-X is being used as an ethernet node.

In sACN mode, the beginning number can be set to **2**, **10**, or **239**.

In Art-Net™ mode, the beginning number is set by the Net Setting.

The other three numbers can be set from **0–255**. The IP addresses cannot be identical.

To configure the IP Address, do the following:

1. Press **<MENU>** repeatedly until **<IP Address #X>** shows on the display.
2. Press **<ENTER>** to cycle through the sets of 3 digits in either address, until the desired number flashes on the display.
3. Press **<UP>** or **<DOWN>** to change that set of numbers.
4. Repeat steps 2–3 until the IP address is configured as desired.
5. Press **<MENU>**.

Configuring Art-Net™ Net Setting

The Net setting controls the beginning of the IP addresses on the Net-X in Art-Net™ mode.

To configure the Net setting, do the following:

1. Press **<MENU>** repeatedly until **<Net>** shows on the display.
2. Press **<ENTER>**. The number in the lower right-hand corner of the display flashes.
3. Use **<UP>** or **<DOWN>** to select either:
 - **0**, to set the beginning of the IP addresses to **2**
 - or
 - **1**, to set the beginning of the IP addresses to **10**.

Note: **2–127** are reserved for future use.

4. Press **<ENTER>**.



WARNING: Do NOT set the Net to any value higher than 1. They are reserved for future use and have no function.

Configuring DMX Outputs

The DMX Out ports must be configured to accept signal from either one of the DMX In ports, or from the ethernet source. If the DMX port is not being used it should be turned off.

The menu structure presents each DMX Out port as **<DMX Output #X>**, where **X** is the number of the DMX Out port.

To configure the DMX Out ports, do the following:

1. Select the DMX Out port to configure by pressing **<MENU>** repeatedly until **<DMX Output #X>** shows on the display.
2. Press **<ENTER>**. The phrase in the lower right-hand corner of the display flashes.
3. Use **<UP>** or **<DOWN>** to select **DMX #1 Input**, **DMX #2 Input**, either **ArtNet Input** or **sACN Input**, or **Without Input**.
4. Press **<ENTER>**.

Universes

Universes are assigned to DMX Out ports when the Net-X is used as an ethernet-to-DMX adapter. The universes are part of the process by which the Net-X takes the ethernet protocol and converts it to DMX. The menu structure presents the universe of each DMX Out port as **<Universe #X>**, where **X** is the corresponding DMX Out port. Any one universe can be assigned to more than one DMX Out port.

Art-Net™ Universes

In Art-Net™ mode, there are 256 universes (Universes 0–15 for every Subnet 0–15) that can be assigned to the DMX Out ports. The Art-Net™ universes are assigned by selecting a Subnet group and a value from **0** to **15** within that group.

To assign an Art-Net™ universe to a DMX Out port, do the following:

1. Set the Subnet address (see [Art-Net™ Subnet Address](#)).
2. Select the DMX Out port to assign an Art-Net™ universe to by pressing **<MENU>** repeatedly until **<Universe #X>** shows on the display.
3. Press **<ENTER>**. The number in the lower right-hand corner of the display flashes.
4. Use **<UP>** or **<DOWN>** to select the desired Art-Net™ universe, **0–15**.
5. Press **<ENTER>**.

sACN Universes

In sACN mode, there are 255 universes (1–255) that can be assigned to the DMX Out ports. The sACN universes are assigned by selecting a value from 1 to 255.

To assign an sACN universe to a DMX Out port, do the following:

1. Select the DMX Out port to assign an sACN universe to by pressing **<MENU>** repeatedly until **<Universe #X>** shows on the display.
2. Press **<ENTER>**. The number in the lower right-hand corner of the display flashes.
3. Use **<UP>** or **<DOWN>** to select the desired sACN universe, **1–255**.
4. Press **<ENTER>**.

Signal Merging

The Net-X is capable of merging two signals of the same protocol into one, using HTP (Highest Takes Precedence) or LTP (Latest Takes Precedence) logic.

In HTP logic, only the highest value of any function or channel will be included in the merged signal. If signal A has a value of 100 on channel 2, but signal B has a value of 200 on channel 2, the merged signal will have a value of 200 on channel 2.

In LTP logic, only the most recently changed value of any function or channel will be included in the merged signal. If signal A has had a value of 255 on channel 1, and signal B changes to a value of 075 on channel 1, the merged signal will reflect the change. Whichever value is the latest change will always be in the merged signal.

To configure signal merging, follow the instructions below:

1. Press **<MENU>** repeatedly until **Net Merge** (for ethernet signal merging) shows on the display.
2. Press **<ENTER>**.
3. Use **<UP>** or **<DOWN>** to select **HTP** (Highest Takes Precedence), **LTP** (Lowest Takes Precedence), or **OFF** (to disable signal merging).
4. Press **<ENTER>**.



- **The Net-X can only merge signals from up to two controllers at a time.**
- **The Net-X cannot merge two signals of different protocols.**
- **Ethernet signals must be in the same universe in order to merge.**
- **sACN signals must be the same priority in order to merge.**

Indicators

The three LED indicator lights on the front of the Net-X, next to the menu display, indicate when there is power, DMX, or ethernet. The table below shows the behavior of the lights and what it means.

Indicator	Behavior	Meaning
POWER	Solid red	Power is getting to the Net-X
	Off	Power is not getting to the Net-X
SIGNAL	Blinks rapidly in red	Ethernet signal is getting to the Net-X
	Blinks slowly	Ethernet signal is not getting to the Net-X
DMX	Blinks rapidly in red	DMX signal is getting to the Net-X
	Blinks slowly	DMX signal is not getting to the Net-X



While Net-X is powered on, the Signal and DMX indicator lights will blink slowly when nothing is plugged into their ports. These indicator lights will blink rapidly after cable connections are made and the ethernet and DMX signals are being received by Net-X.

Example Configurations

The Net-X is extremely versatile, with DMX source capabilities and ethernet source capabilities which can be combined so that the Net-X is simultaneously acting as a DMX splitter, an ethernet-to-DMX adapter, and an ethernet node.

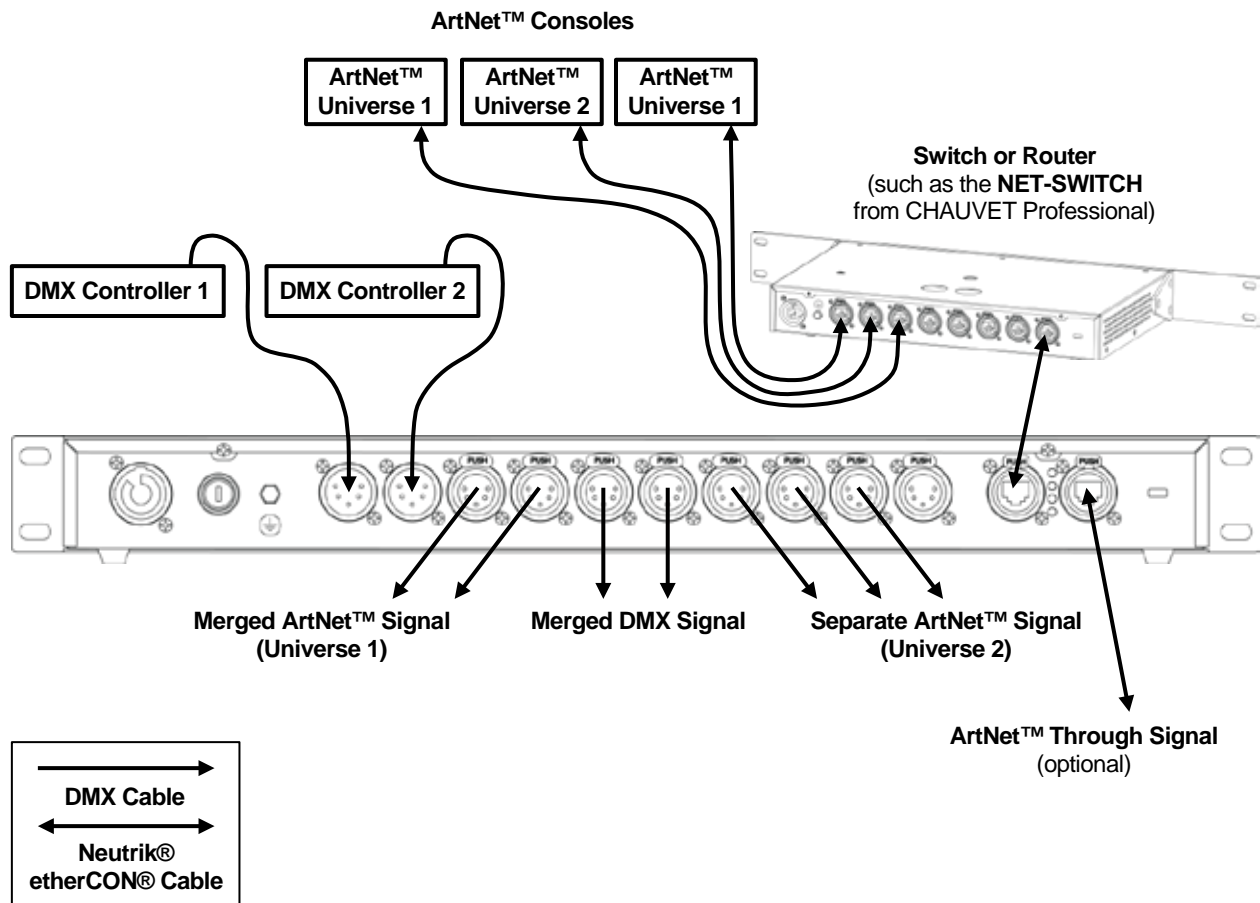
Example Configuration 1: Art-Net™ and DMX Sources

This example demonstrates one way to configure the Net-X to merge two Art-Net™ signals with HTP, merge two DMX signals with LTP, and output both signals and another Art-Net™ signal to several separate DMX Out ports. The numbers used in this example are for demonstrative purposes, and are only one of thousands of possible configurations.

First configure two Art-Net™ controllers to output signals on Net 0, Subnet 0, Universe 1, and a third Art-Net™ controller to output a signal on Net 0, Subnet 0, Universe 2. Then do the following:

1. Set the ethernet protocol for the Net-X to **ArtNet**. (See [Ethernet Configuration](#).)
2. Set the **Net** setting to **0**. (See [Configuring Art-Net™ Net Setting](#).)
3. Set the **Subnet** address to **0**. (See [Art-Net™ Subnet Address](#).)
4. Set **IP Address #1** to **2.255.255.001**, and **IP Address #2** to **2.255.255.002**. (See [Configuring IP Addresses](#).)
5. Set the **Net Mode** to **HTP**, and the **DMX Mode** to **LTP**. (See [Signal Merging](#).)
6. Set **Universe #1** and **#2** to **1**, and **Universe #5**, **#6**, and **#7** to **2**. (See [Art-Net™ Universes](#).)
7. Set **DMX Output #1**, **#2**, **#5**, **#6**, and **#7** to **ArtNet Input**, **DMX Output #3** and **#4** to **DMX #1 Input**, and **DMX Output #8** to **Without Input**. (See [Configuring DMX Outputs](#).)
8. Plug in all input cables and output cables as shown in the [Example 1 Diagram](#).

Example 1 Diagram



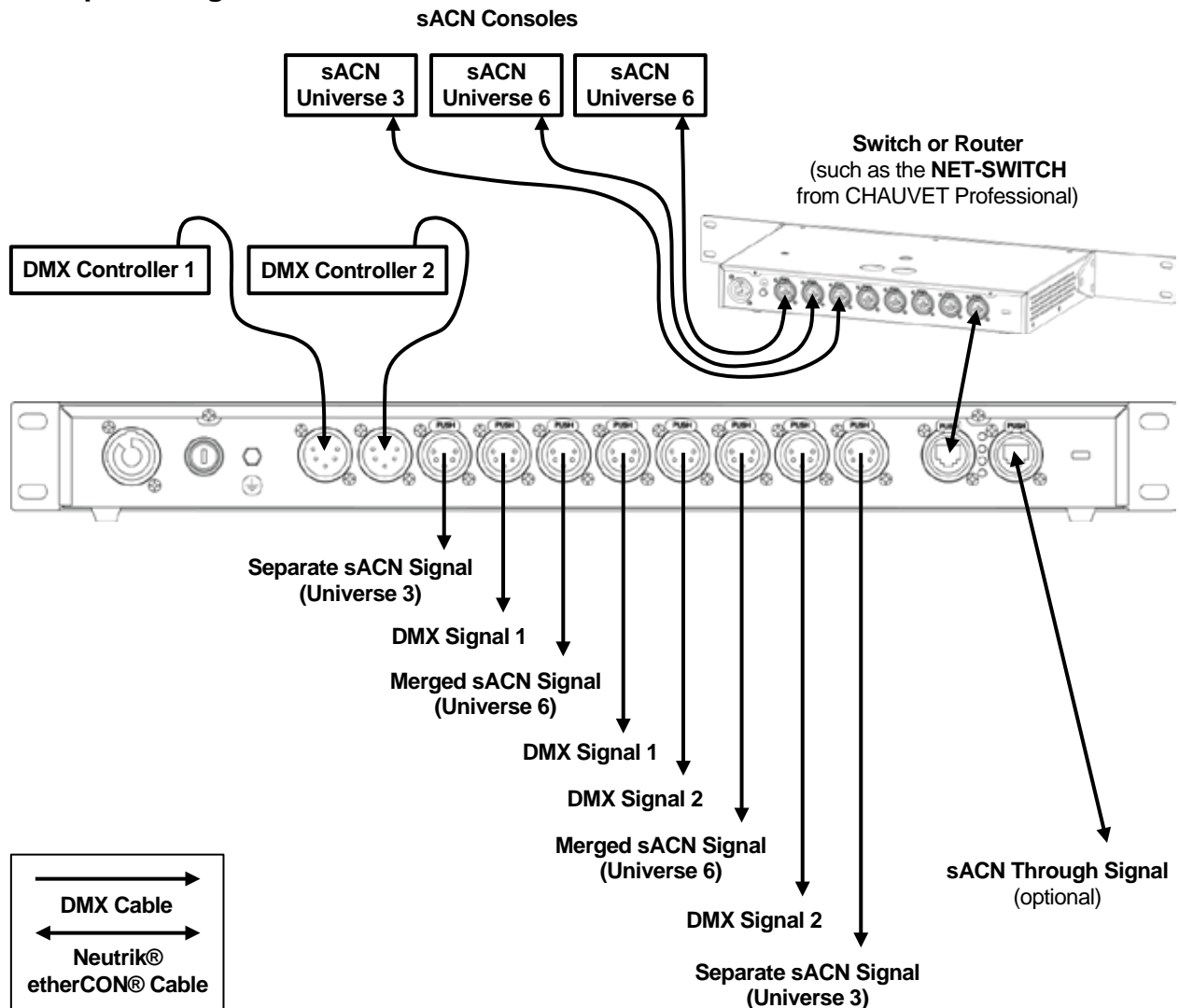
Example Configuration 2: sACN and DMX Sources

This example demonstrates how to configure the Net-X to merge two sACN signals with LTP, split two separate DMX signals, and output those signals and another sACN signal to several separate DMX Out ports. The numbers used in this example are for demonstrative purposes, and are only one of thousands of possible configurations.

First configure two sACN controllers to output signals with the same priority on Universe 6, and a third sACN controller to output a signal on Universe 3. Then do the following:

1. Set the ethernet protocol for the Net-X to **sACN**. (See [Ethernet Configuration](#).)
2. Set **IP Address #1** to **239.255.255.003**, and **IP Address #2** to **239.255.255.006**. (See [Configuring IP Addresses](#).)
3. Set the **Net Mode** to **LTP**, and the **DMX Mode** to **OFF**. (See [Signal Merging](#).)
4. Set **Universe #1** and **#8** to **3**, and **Universe #3** and **#6** to **6**. (See [sACN Universes](#).)
5. Set **DMX Output #1, #3, #6, and #8** to **sACN Input, DMX Output #2** and **#4** to **DMX #1 Input, and DMX Output #5** and **#7** to **DMX #2 Input**. (See [Configuring DMX Outputs](#).)
6. Plug in all input cables and output cables as shown in the [Example 2 Diagram](#).

Example 2 Diagram



5. Technical Information

Maintenance

To maintain optimum performance and minimize wear, the user should clean this product regularly. Usage and environment are contributing factors in determining the cleaning frequency.

As a rule, clean this product at least twice a month. Dust build-up reduces light output performance and can cause overheating. This can lead to reduced light source life and increased mechanical wear.

To clean the Net-X, do the following:

1. Unplug the panel from power.
 2. Wait until the unit is at room temperature.
 3. Use a vacuum (or dry compressed air) and a soft brush to remove dust collected on the external vents.
 4. Clean all external surfaces with a mild solution of non-ammonia cleaner or isopropyl alcohol.
 5. Apply the solution directly to a soft, lint-free cotton cloth or a lens cleaning tissue.
 6. Make sure all connections are thoroughly dry before reconnecting power and signal cables.
- Keep the environment around the Net-X free of dust, dirt, water, and extreme temperatures.
 - Insert and remove DMX and Neutrik® etherCON® cables slowly and gently.
 - Put the Net-X on the top of any stacks of equipment, or rack mount it.
 - Turn the Net-X off when it is not in use.



Always dry the external surfaces carefully after cleaning them.

6. Technical Specifications

Dimensions And Weight

Length	Width	Height	Weight
19 in (483 mm)	6.6 in (168 mm)	1.8 in (45 mm)	4.4 lb (2.0 kg)

Power

Power Supply	Range	Voltage Selection
Switching (internal)	100 to 240 VAC, 50/60 Hz	Auto-ranging

Parameter	120 V, 60 Hz	208 V, 60 Hz	230 V, 50 Hz
Consumption	30 W	30 W	30 W
Operating Current	0.25 A	0.14 A	0.13 A

Power Connection	Power Input
Edison Plug to Neutrik® powerCON® (US/Canada) Local plug to Neutrik® powerCON® (Worldwide)	Neutrik® powerCON®

Data Connections

I/O	Type
Data Inputs	Neutrik® etherCON® (2 total)
	5-pin XLR (2 total)
Data Outputs	5-pin XLR (8 total)
Data Throughputs	Neutrik® etherCON® (2 total)

Ordering

Product Name	Item Code	UPC Number
Net-X	03080858	781462212063



Returns

In case you need to get support or return a product:

- If you are located in the U.S., contact Chauvet World Headquarters.
- If you are located in the UK or Ireland, contact Chauvet Europe Ltd.
- If you are located in Mexico, contact Chauvet Mexico.
- If you are located in Benelux, contact Chauvet Europe BVBA.

If you are located in any other country, DO NOT contact Chauvet. Instead, contact your local distributor. See www.chauvetlighting.com for distributors outside the U.S., UK, Ireland, Mexico, or Benelux.



If you are located outside the U.S., UK, Ireland, Mexico, or Benelux, contact your distributor of record and follow their instructions on how to return Chauvet products to them. Visit our website www.chauvetlighting.com for contact details.

Call the corresponding Chauvet Technical Support office and request a Return Merchandise Authorization (RMA) number before shipping the product. Be prepared to provide the model number, serial number, and a brief description of the cause for the return.

Send the merchandise prepaid, in its original box, and with its original packing and accessories. Chauvet will not issue call tags.

Clearly label the package with the RMA number. Chauvet will refuse any product returned without an RMA number.



Write the RMA number on a properly affixed label. DO NOT write the RMA number directly on the box.

Before sending the product, clearly write the following information on a piece of paper and place it inside the box:

- Your name
- Your address
- Your phone number
- RMA number
- A brief description of the problem

Be sure to pack the product properly. Any shipping damage resulting from inadequate packaging will be your responsibility. FedEx packing or double-boxing are recommended.



Chauvet reserves the right to use its own discretion to repair or replace returned product(s).

Contact Us

USA WORLD HEADQUARTERS

General Information – Chauvet

Address: 5200 NW 108th Avenue
Sunrise, FL 33351

Voice: (954) 577-4455

Fax: (954) 929-5560

Toll free: (800) 762-1084

Technical Support

Voice: (844) 393-7575

Fax: (954) 756-8015

Email: chauvetcs@chauvetlighting.com

World Wide Web www.chauvetlighting.com

EUROPE

General Information - Chauvet Europe BVBA

Address: Stokstraat 18
9770 Kruishoutem
Belgium

Voice: +32 9 388 93 97

Technical Support

Email: Eutech@chauvetlighting.eu

World Wide Web www.chauvetlighting.eu

General Information - Chauvet Europe Ltd.

Address: Unit 1C
Brookhill Road Industrial Estate
Pinxton, Nottingham, UK
NG16 6NT

Voice: +44 (0)1773 511115

Fax: +44 (0)1773 511110

Technical Support

Email: uktech@chauvetlighting.com

World Wide Web
www.chauvetlighting.co.uk

MEXICO

General Information - Chauvet Mexico

Address: Av. de las Partidas 34- 3B, Zona
Industrial Lerma

Lerma, Edo. de Mexico C.P. 52000

Voice: +52 (728) 285-5000

Technical Support

Email: servicio@chauvet.com.mx

World Wide Web www.chauvet.com.mx

Outside the U.S., United Kingdom, Ireland, Mexico, or Benelux contact the dealer of record. Follow their instructions to request support or to return a product. Visit our website for contact details.

Notas de Edición

El Manual de usuario del Net-X Rev. 4 incluye la descripción, precauciones de seguridad, instalación, programación, funcionamiento y mantenimiento del Net-X. Chauvet publicó esta edición del Manual de usuario del Net-X en Enero de 2016.

Marcas Registradas

CHAUVET, el logotipo de Chauvet y Net-X son marcas comerciales o marcas registradas de Chauvet & Sons Inc. (con nombres comerciales Chauvet y Chauvet Lighting) en los Estados Unidos y otros países. Otras empresas, nombres de productos y logotipos a los que se haga referencia aquí pueden ser marcas comerciales de sus respectivas empresas.

Aviso de Derechos de Autor

Las obras de autoría contenidas en este manual, incluyendo, pero sin limitarse a ellas, todos los dibujos, textos e imágenes, son propiedad de Chauvet.

© Copyright 2017, Chauvet & Sons, LLC. Todos los derechos reservados.

Publicado en formato electrónico por Chauvet en los Estados Unidos de América.

Uso del Manual

Chauvet autoriza a sus clientes a descargar e imprimir este manual solo para propósitos de información profesional. Chauvet prohíbe expresamente la utilización, copia, almacenamiento, distribución, modificación o impresión de este manual o su contenido, con cualquier fin, sin consentimiento escrito de Chauvet.

Impresión del Documento

Para mejores resultados, imprima este documento en color, en papel tamaño carta (215,9 x 279,4 mm), a doble cara. Si usa papel A4 (210 x 297 mm), configure la impresora para escalar el contenido proporcionalmente.

Destinatarios

Cualquier persona a cargo de la instalación, manejo y/o mantenimiento de este producto debe leer íntegramente este manual antes de instalar, manejar o mantener este producto.

Exención de Responsabilidad

Chauvet cree que la información contenida en este manual es exacta en todos los aspectos. Sin embargo, Chauvet no asume responsabilidad alguna, y queda exenta específicamente de todas y cada una de las responsabilidades y obligaciones, de la clase que sean y para con cualquier parte, por pérdida, perjuicio o trastorno causados por cualquier error u omisión en este documento, tanto si tales errores y omisiones se deben a negligencia o accidente como a cualquier otra causa. Chauvet se reserva el derecho a revisar el contenido de este documento sin ninguna obligación de notificar dicha revisión a ninguna persona o empresa; sin embargo, Chauvet no está en absoluto obligado a hacerlo así, ni se compromete a realizar revisión alguna.

Revisión del Documento

El Manual de usuario del Net-X Rev. 5 reemplaza todas las versiones anteriores de este manual. Deseche cualquier versión anterior de este manual y sustitúyala con esta versión.

Visite www.chauvetprofessional.com para obtener la última versión.

1. Antes de Empezar

Qué va Incluido

- Net-X
- Cable de alimentación Neutrik® powerCON®
- Tarjeta de garantía
- Manual de usuario

Desembalaje

Desembale el Net-X a con cuidado y compruebe que todas las piezas están en el paquete y en buen estado.

Reclamaciones




Si la caja o alguno de sus contenidos parecen dañados a causa del transporte, o muestran signos de manipulación inadecuada, guarde todo el paquete y tramite una reclamación con el transportista inmediatamente; no lo notifique a Chauvet. Si no informa al transportista del daño inmediatamente o no dispone todo el paquete para inspección podría quedar anulada la reclamación.

Para otras incidencias, como componentes o piezas que falten, daños no relacionados con el transporte o daños no evidentes, presente una reclamación a Chauvet en el plazo de 7 días desde la entrega. Para información sobre cómo contactar con Chauvet, vea Contacto al final de este manual.

Convenciones

Convención	Significado
1–512	Un rango de valores
50/60	Un conjunto de valores
Settings	Información mostrada en la pantalla
Menu > Settings	Una opción de menú
<ENTER>	Una secuencia de opciones de menú
ON	Un botón

Símbolos

Símbolos	Significado
	Instalación, configuración o información sobre funcionamiento crítica. El incumplimiento de esta información puede causar que el producto no funcione, que se averíe, u ocasionar daños al usuario
	Instalación o información de configuración importante. Hacer caso omiso de esta información puede hacer que el producto no funcione
	Información útil

Notas de Seguridad

Por favor, lea las siguientes Notas de seguridad con atención antes de empezar a trabajar con el producto. Estas notas incluyen información de seguridad importante sobre la instalación, uso y mantenimiento.



- Conecte siempre el producto a un circuito con toma de tierra.
- Asegúrese de que el cable de alimentación no está retorcido ni estropeado.
- Conecte siempre el producto a una fuente de alimentación con la tensión adecuada, según se indica en la pegatina del producto.
- No haga funcionar este producto si la carcasa está dañada.
- ¡Este producto es para uso en interiores solamente! Está clasificado como IP20. No exponga el producto a lluvia o humedad.
- Desconecte siempre el producto de la fuente de alimentación antes de limpiarlo o cambiar el fusible.
- Nunca desconecte el producto de la fuente de alimentación agarrando o tirando del cable.
- Si monta el producto en altura, asegúrese de que el soporte es adecuado para el peso del producto y asegure siempre el producto con un cable de seguridad.
- Asegúrese de que no hay materiales inflamables cerca del producto cuando esté en funcionamiento.



- Este producto no está concebido para una instalación permanente.
- Nunca conecte el producto a un atenuador o reostato.
- Instale siempre el producto en un lugar con ventilación adecuada.
- No haga funcionar el producto a una temperatura ambiente superior a 104 °F (40 °C).
- Este producto no contiene piezas reparables por el usuario. Cualquier referencia a la reparación en este Manual de usuario se aplicará solamente a técnicos certificados, adecuadamente instruidos por Chauvet. No abra la carcasa ni intente ninguna reparación.
- Cualquier avería causada por modificaciones manuales no está cubierta por la garantía. Chauvet no aceptará responsabilidad por daños causados por modificaciones no autorizadas o por no observar las advertencias de seguridad y las instrucciones de este manual.
- Todos los códigos locales y regulaciones correspondientes se aplican a la instalación adecuada de este producto.
- En caso de un problema grave de funcionamiento, deje de usar el producto inmediatamente.
- Si el producto necesita reparación, póngase en contacto con Chauvet. Para más información vez [Devoluciones](#) y [Contacto](#).
- Para evitar un desgaste innecesario y alargar su vida útil, desconecte completamente el producto de la alimentación, mediante el interruptor o desenchufándolo, durante los periodos en los que no se use.



Guarde este Manual de Usuario para que le sirva de referencia.

2. Introducción

Descripción del Producto

El Net-X es un adaptador ethernet a DMX fiable y versátil, con un divisor óptico DMX integrado, que puede actuar como concentrador ethernet. Tiene dos puertos de entrada DMX de 5 pines y ocho puertos de salida DMX de 5 pines, todos ellos aislados ópticamente. Admite hasta 8 universos Art-Net™ o sACN simultáneos. Los ocho puertos de salida DMX de 5 pines se pueden asignar a cualquier puerto de entrada DMX o a uno de los universos Art-Net™ o sACN. Los puertos Neutrik® etherCON® son puertos de enlace que permiten la conexión en cadena de unidades Net-X.

El Net-X proporciona una infraestructura de red fiable y extremadamente flexible, para sistemas de control complejos Mezcle dos controladores en el Net-X por medio de DMX, Art-Net™ o sACN, compatibles con las funciones LTP (*Latest Takes Precedence*, el último tiene prioridad) y HTP (*Highest Takes Precedence*, el más alto tiene prioridad).

Características del Producto

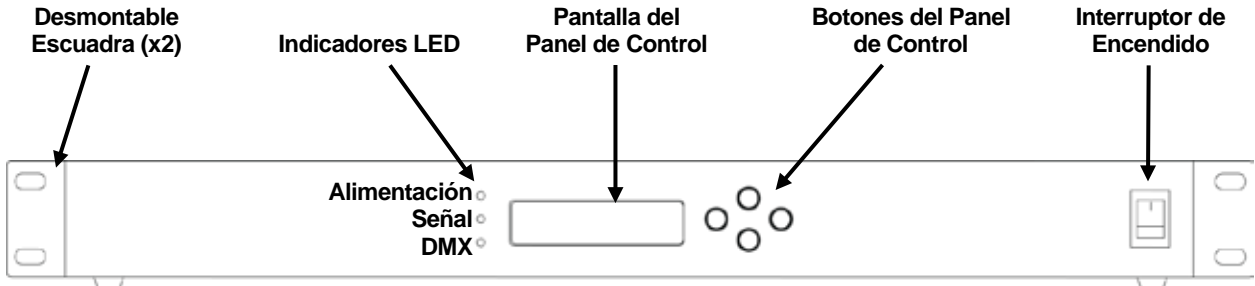
- Se puede montar en rack
- Es al mismo tiempo nodo ethernet y divisor óptico
- Ocho puertos de salida aislados ópticamente
- Modos de funcionamiento variables para todas las salidas DMX
- Dos puertos de entrada/enlace Neutrik® etherCON®
- Mezcle dos controladores por medio de DMX, Art-Net™ o sACN

Productos Adicionales

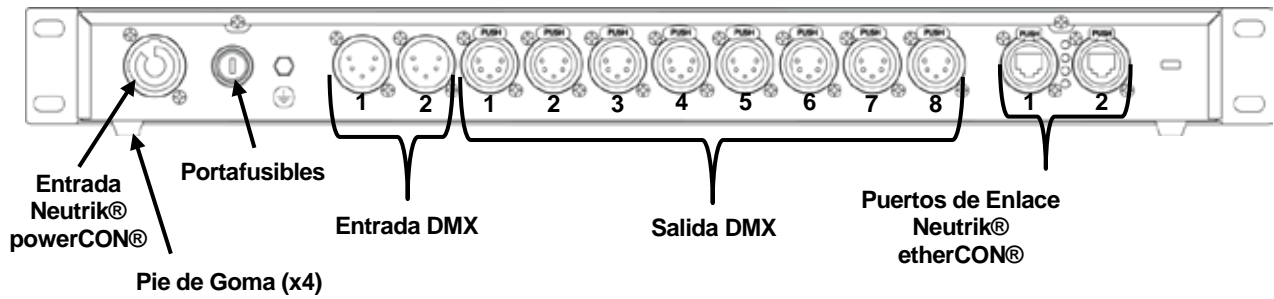
El Net-X es un adaptador y concentrador combinado que funciona como parte del sistema de control. Chauvet dispone de una línea de productos de vídeo e iluminación que funcionan con el Net-X. Para más información sobre productos CHAUVET compatibles, visite <http://www.chauvetlighting.com/product-manuals-literature/> en el sitio web de Chauvet.

Visión General del Producto

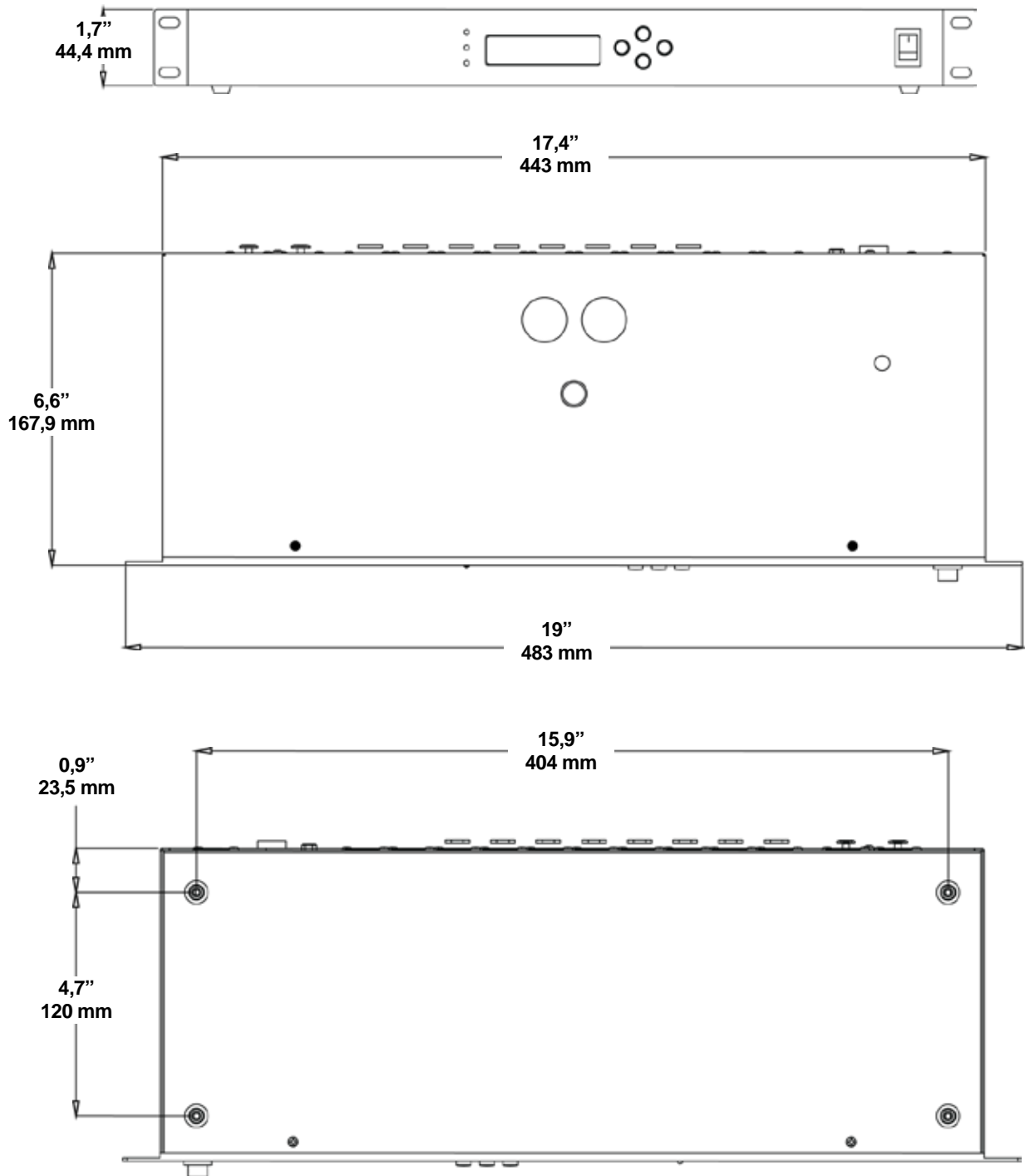
Vista Frontal



Vista Posterior



Dimensiones del Producto



3. Montaje e Instalación

Corriente Alterna

El Net-X tiene una fuente de alimentación interna con detección automática (autorango) que funciona con un rango de tensión de entrada de 100–240 VCA, 50/60 Hz. Para determinar los requisitos de alimentación para el Net-X consulte la etiqueta fijada al producto o las Especificaciones Técnicas.

La especificación indica el consumo de corriente máximo durante un funcionamiento normal. Para más información, descargue *Dimensionar interruptores automáticos* del sitio web de Chauvet en www.chauvetprofessional.com.



- **Conecte siempre este producto a un circuito con toma de tierra y protegido.**
- **Nunca conecte este producto a un reostato (resistor variable) o circuito de atenuación, incluso si el canal del reostato o atenuador sirve solo como conmutador 0 a 100%.**
- **Para evitar un desgaste innecesario y alargar su vida útil, desconecte complemente el producto de la alimentación, mediante el interruptor o desenchufándolo, durante los periodos en los que no se use.**

Sustitución del Fusible

El Net-X utiliza un fusible T 250 mA 250 V al que se puede acceder desde la parte posterior del producto. Para cambiar el fusible, haga lo siguiente:

1. Desconecte el producto de la alimentación.
2. Con un destornillador plano, desatornille la tapa del portafusibles de la carcasa.
3. Quite el fusible fundido.
4. Sustitúyalo con un fusible del mismo tipo y categoría.
5. Vuelva a atornillar la tapa del portafusibles en su sitio y conecte de nuevo la alimentación.



- **Desconecte el producto de la alimentación antes de sustituir el fusible.**
- **Sustituya siempre el fusible fundido con otro del mismo tipo y categoría.**

Montaje

Antes de montar este producto, lea las Notas de Seguridad. Para nuestra línea Chauvet de abrazaderas de montaje, visite www.trusst.com/productcategory/accessories-clamps/.

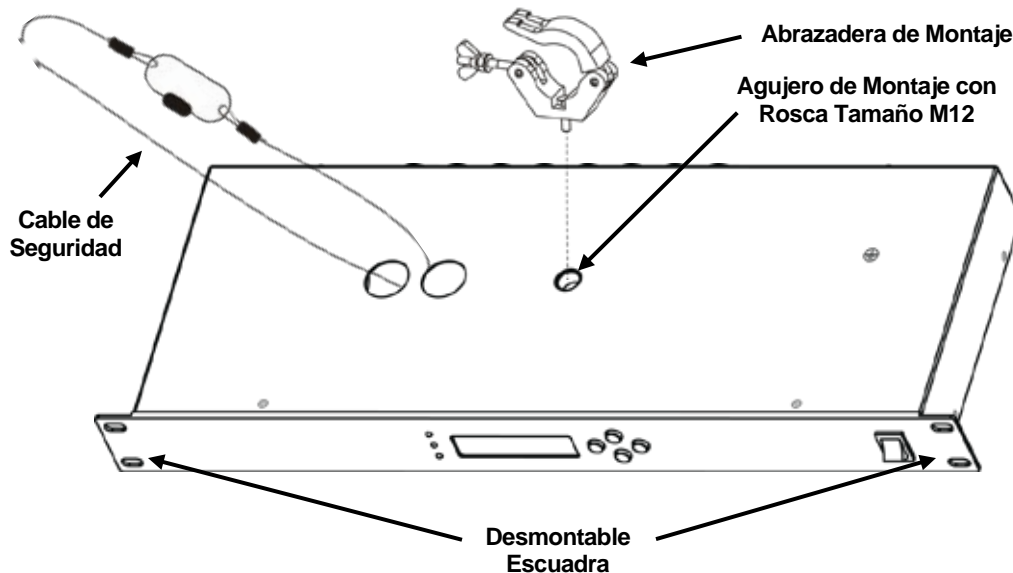
Orientación

Monte siempre este producto en una posición segura, donde estén accesibles el menú y los puertos, y cerciórese de que se trata de una sala adecuada para su ventilación, configuración y mantenimiento. El Net-X encaja perfectamente en un rack de 19", se puede suspender boca arriba o boca abajo, o se pone sobre una superficie plana.

Utilice la siguiente pauta cuando monte el Net-X:

- Cuando elija una ubicación para instalar, tenga en cuenta el acceso al producto para su manejo, ajustes de programación y mantenimiento de rutina.
- Asegúrese de montar este producto apartado de cualquier material inflamable, como se indica en las Notas de Seguridad.
- Nunca monte en lugares donde la lluvia, humedad alta, cambios extremos de temperatura o ventilación limitada puedan afectar al producto.
- Si cuelga este producto, asegúrese de que la ubicación del montaje puede soportar el peso del producto. Vea las Especificaciones Técnicas para los requisitos de soporte de peso de este producto.
- Cuando cuelgue este producto, asegúrelo siempre a un dispositivo de fijación usando un cable de seguridad (como el CH-05 de Chauvet).
- Deje holgura suficiente en los cables para evitar tensión y tirones en los enchufes.

Diagrama de Montaje



Pauta de Instalación

El Net-X se usa como parte de un sistema de control para manejar varios productos de iluminación y multimedia. La construcción física y digital de la red de control viene determinada por la ubicación y las necesidades de señal de los productos.

Cuando diseñe un sistema de control que use Net-X, tenga en cuenta lo siguiente:

- Coloque el Net-X de forma que se pueda acceder al menú y a los puertos
- Tire los cables de forma que no haya tensión ni tirantez ni en los cables ni en los enchufes
- Planifique un sistema de control grande con cuidado antes de configurar los componentes para no duplicar direcciones IP, direcciones DMX u otros identificadores

Conexión de señal

El Net-X recibe señal a través de los 2 puertos de entrada DMX y de uno de los 2 puertos Neutrik® etherCON®. Envía la señal de salida a través de los 8 puertos de salida DMX y el otro puerto Neutrik® etherCON®.

Conexión Art-Net™

Art-Net™ es un protocolo Ethernet que utiliza TCP/IP para transferir gran cantidad de datos DMX512 usando una conexión etherCON® RJ45 sobre una red de gran tamaño. Hay disponible un documento sobre el protocolo Art-Net™ desde www.chauvetprofessional.com. El diseño y copyright de Art-Net™ pertenece a Artistic Licence Holdings Ltd.

Conexión sACN

También conocido como ANSI E1.31, el *streaming ACN* es un protocolo Ethernet que usa las capas y formato de *Architecture for Control Networks* (arquitectura para redes de control) para transportar datos DMX512 sobre IP o cualquier otra red compatible con ACN. El mantenimiento de ACN corre a cargo de la Professional Lighting and Sound Association (Asociación de Sonido e Iluminación Profesional, PLASA).

Prioridad sACN

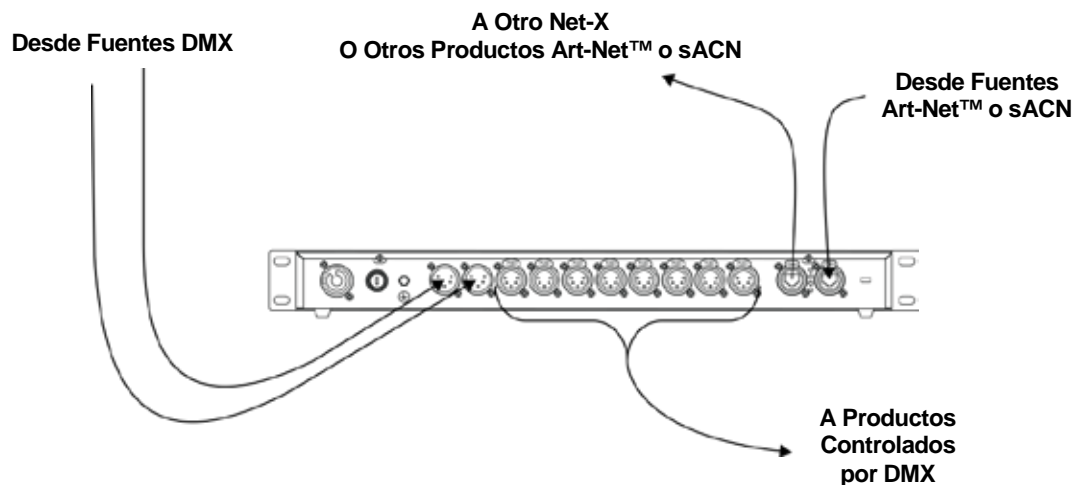
La prioridad es un número entre 0 y 200 que se establece al enviar un controlador una señal sACN. Cuanto más alto el número, más alta la prioridad. Las señales de prioridad más baja se descartarán cuando exista una señal con prioridad más alta. Si existe una señal con prioridad más baja cuando una señal con prioridad más alta se para o se detiene durante más de 5 segundos, se procesará la siguiente señal con prioridad más alta. Esta función permite que los controladores se configuren como respaldo en caso de que falle el controlador principal. Las señales con una prioridad 0 se ignorarán.

Con el fin de que el Net-X una dos señales sACN, estas deben tener la misma prioridad.

Multicast sACN

El Net-X admite multicast sACN.

Diagrama de Conexión de Señal



- Los puertos Neutrik® etherCON® son puertos de enlace. Cada puerto puede ser de entrada o de salida.
- Los puertos DMX solo pueden ser de entrada o de salida. Hay 2 puertos de entrada DMX y 8 puertos de salida DMX.

4. Configuración y Funcionamiento

El Net-X se configura a través del panel de control, usando los botones del panel de control. Una vez que el Net-X está convenientemente configurado, funciona sin intervención del usuario.

El Net-X se puede usar como splitter DMX, en cuyo caso los puertos DMX se deben asignar a los puertos de salida DMX, y puede que no se necesite configurar red, ni subred ni dirección IP.

El Net-X se puede usar como nodo Art-Net™, en cuyo caso los universos Art-Net™ se deben asignar a los puertos de salida DMX, y es necesario configurar red, subred y dirección IP.

El Net-X se puede usar como nodo sACN, en cuyo caso los universos sACN se deben asignar a los puertos de salida DMX, y es necesario configurar los parámetros de la dirección IP.

El Net-X se puede usar como splitter DMX y como nodo Art-Net™ o sACN a la vez, en cuyo caso es necesario configurar tanto las asignaciones DMX como los ajustes de Art-Net™ o sACN. Para más información, consulte [Configuraciones de ejemplo](#).

El Net-X se puede usar para mezclar dos señales DMX, Art-Net™ o sACN de diferentes controladores y que emita una sola señal, utilizando las funciones LTP (*Latest Takes Precedence*, el último tiene prioridad) y HTP (*Highest Takes Precedence*, el más alto tiene prioridad).



La entrada DMX y los universos Art-Net™ o sACN se pueden asignar a varios puertos de salida DMX.

Panel de Control

El panel de control es el mecanismo para realizar los ajustes de configuración del Net-X. Tiene una pequeña pantalla LCD y cuatro botones, que se describen más abajo.

Botón	Función
<MENU>	Se desplaza por el primer nivel de opciones o sale del menú o función actual
<UP>	Navega hacia arriba por la lista de menú o aumenta el valor numérico cuando está en una función
<DOWN>	Navega hacia abajo por la lista de menú o disminuye el valor numérico cuando está en una función
<ENTER>	Habilita el menú actualmente en pantalla o configura el valor seleccionado actualmente dentro de la función actual

Mapa de Menú

El mapa de menú describe la organización de los ajustes de configuración. Utilícelo como referencia cuando configure el Net-X.

Firmware V2.62

Función Principal	Niveles de Programación	Art-Net™	sACN	Descripción
<Net>	0–127	a		Configura la dirección de red
<Subnet>	0–15	a		Configura la dirección de subred
<Universe #1> a <Universe #8>	0–15	a		Configura el universo Art-Net™ para el puerto de salida DMX correspondiente (solo es necesario cuando el puerto de salida DMX se configure como Art-Net™)
	1–255		a	Configura el universo sACN para el puerto de salida DMX correspondiente (solo es necesario cuando el puerto de salida DMX se configure como sACN)
<DMX Output #1> a <DMX Output #8>	ArtNet Input	a		Configura la fuente de entrada para el puerto DMX como Art-Net™
	sACN Input		a	Configura la fuente de entrada para el puerto DMX como sACN
	DMX #1 Input	a	a	Configura la fuente de entrada para el puerto DMX como DMX en el puerto 1
	DMX #2 Input	a	a	Configura la fuente de entrada para el puerto DMX como DMX en el puerto 2
	Without Input	a	a	Deshabilita el puerto de salida DMX
<IP Address #1> a <IP Address #2>	x*.xxx.xxx.xxx	a	a	Configura las direcciones IP para Net-X Nota: Las direcciones no pueden ser iguales
<Device ID>	xxxxxxxx	a	a	Muestra el identificador del dispositivo Net-X
<Protocol>	ArtNet	a	a	Selecciona el protocolo Ethernet de Art-Net™
	sACN	a	a	Selecciona el protocolo Ethernet de sACN
<Net Merge>	OFF	a	a	Deshabilita la mezcla de la señal Ethernet
	HTP	a	a	Configura la mezcla de la señal Ethernet como <i>Highest Takes Precedence</i>
	LTP	a	a	Configura la mezcla de la señal Ethernet como <i>Latest Takes Precedence</i>
<DMX Merge(beta)>	OFF	a	a	Reservado para usos futuros
	HTP	a	a	
	LTP	a	a	

* - En el modo Art-Net™, los inicios de las direcciones IP los configuran los ajustes de red como:



- 2, para la configuración de Net 0
- 10, para la configuración de Net 1

* - En modo sACN, los inicios de las direcciones IP se pueden configurar como 2, 10 o 239.

Configuración Ethernet

Si desea configurar Net-X para enviar y recibir Art-Net™ o sACN, siga estas instrucciones:

1. Pulse **<MENU>** repetidamente hasta que aparezca **<Protocol>** en la pantalla.
2. Pulse **<ENTER>**.
3. Utilice **<UP>** o **<DOWN>** para seleccionar **ArtNet** o **sACN**.
4. Pulse **<ENTER>**.

Dirección de subred de Art-Net™

Hay 16 conjuntos de subredes de 16 universos disponibles para el Net-X, para un total de 256 direcciones de universo. La dirección de subred se debe configurar si el Net-X se está usando como nodo Art-Net™. El Net-X solo puede convertir (a DMX) o mezclar señales Art-Net™ en los 16 universos dentro de los que esté asignada la subred.

Para los universos 0-15, asigne la subred 0. Para los universos 16-31, asigne la subred 1. Para los universos 32-47, asigne la subred 2, y así sucesivamente.

Para seleccionar la dirección de subred, haga lo siguiente:

1. Pulse **<MENU>** repetidamente hasta que aparezca **<Subnet>** en la pantalla.
2. Pulse **<ENTER>**. El número en la esquina inferior derecha de la pantalla parpadea.
3. Utilice **<UP>** o **<DOWN>** para seleccionar dirección de subred **0–15**.
4. Pulse **<ENTER>**.

Configurar las direcciones IP

Las direcciones IP son las direcciones del Net-X en la red. Se deben configurar si el Net-X se está usando como nodo Ethernet.

En modo sACN, el número inicial se puede configurar como **2**, **10** o **239**.

En modo Art-Net™, el número inicial lo establece la [ajustes de red](#).

Los otros tres números se pueden configurar con un valor entre **0–255**. Las direcciones IP no pueden ser idénticas

Para configurar la dirección IP, haga lo siguiente:

1. Pulse **<MENU>** repetidamente hasta que aparezca **<IP Address #X>** en la pantalla.
2. Pulse **<ENTER>** para recorrer cíclicamente los conjuntos de 3 dígitos de cada dirección, hasta llegar al número deseado.
3. Pulse **<UP>** o **<DOWN>** para cambiar ese conjunto de números.
4. Repita los pasos 2-3 hasta haber configurado la dirección IP deseada.
5. Pulse **<MENU>**.

Configurar los ajustes de red Art-Net™

Los ajustes de red controlan el inicio de las direcciones IP del Net-X en modo Art-Net™.

Para ajustar la configuración de red, haga lo siguiente:

1. Pulse **<MENU>** repetidamente hasta que aparezca **<Net>** en la pantalla.
2. Pulse **<ENTER>**. El número en la esquina inferior derecha de la pantalla parpadea.
3. Utilice **<UP>** o **<DOWN>** para seleccionar:

- **0**, para configurar el inicio de las direcciones IP como **2**
o
- **1**, para configurar el inicio de las direcciones IP como **10**.

Nota: **2–127** están reservados para usos futuros.

4. Pulse **<ENTER>**.



ADVERTENCIA: NO configure la red con valores más altos que 1. Estos están reservados para usos futuros y carecen de funcionalidad.

Configurar las salidas DMX

Los puertos de salida DMX se deben configurar para que acepten señal de uno de los puertos de entrada DMX o de la fuente Ethernet. Si el puerto DMX no se está usando, se debe apagar.

La estructura de menú presenta cada puerto de salida DMX como **<DMX Output #X>**, donde **X** es el número del puerto de salida DMX.

Para configurar los puertos de salida DMX, haga lo siguiente:

1. Seleccione el puerto de salida DMX pulsando **<MENU>** repetidamente hasta que **<DMX Output #X>** aparezca en la pantalla.
2. Pulse **<ENTER>**. La frase en la esquina inferior derecha de la pantalla parpadea.
3. Utilice **<UP>** o **<DOWN>** para seleccionar: **DMX #1 Input**, **DMX #2 Input**, **ArtNet Input** o **sACN Input**, o **Without Input**.
4. Pulse **<ENTER>**.

Universos

Los universos se asignan a puertos de salida DMX cuando el Net-X se utiliza como adaptador Ethernet a DMX. Los universos son parte del proceso por medio del cual el Net-X recibe el protocolo Ethernet y lo convierte a DMX. La estructura de menú presenta cada puerto de salida DMX como **<Universe #X>**, donde **X** es el puerto de salida DMX correspondiente. Cada uno de los universos se puede asignar a más de un puerto de salida DMX.

Universos Art-Net™

En modo Art-Net™, hay 256 universos (universos 0–15 para cada subred 0–15) que se pueden asignar a los puertos de salida DMX. Los universos Art-Net™ se asignan seleccionando un grupo de subred y un valor entre **0** y **15** dentro de dicho grupo.

Para asignar un universo Art-Net™ a un puerto de salida DMX, haga lo siguiente:

1. Configure la dirección de subred (véase [Dirección de subred de Art-Net™](#)).
2. Seleccione el puerto de salida DMX al que asignar un universo Art-Net™ pulsando **<MENU>** repetidamente hasta que **<Universe #X>** aparezca en la pantalla.
3. Pulse **<ENTER>**. El número en la esquina inferior derecha de la pantalla parpadea.
4. Utilice **<UP>** o **<DOWN>** para seleccionar el universo Art-Net™ deseado, **0–15**.
5. Pulse **<ENTER>**.

Universos sACN

En modo sACN, hay 255 universos (1-255) que se pueden asignar a los puertos de salida DMX. Los universos sACN se asignan seleccionando un valor entre 1 y 255.

Para asignar un universo sACN a un puerto de salida DMX, haga lo siguiente:

1. Seleccione el puerto de salida DMX al que asignar un universo sACN pulsando **<MENU>** repetidamente hasta que **<Universe #X>** aparezca en la pantalla.
2. Pulse **<ENTER>**. El número en la esquina inferior derecha de la pantalla parpadea.
3. Utilice **<UP>** o **<DOWN>** para seleccionar el universo sACN deseado, **1–255**.
4. Pulse **<ENTER>**.

Mezcla de señal

El Net-X es capaz de mezclar dos señales del mismo protocolo en una, utilizando la lógica LTP (*Latest Takes Precedence*, el último tiene prioridad) y HTP (*Highest Takes Precedence*, el más alto tiene prioridad).

Con la lógica HTP, en la señal mezclada solo se incluirá el valor más alto de cualquier función o canal. Si la señal A tiene un valor de 100 en el canal 2, pero la señal B tiene un valor de 200 en el canal 2, la señal mezclada tendrá un valor de 200 en el canal 2.

Con la lógica LTP, en la señal mezclada solo se incluirá el valor más recientemente modificado de cualquier función o canal. Si la señal A tiene un valor de 255 en el canal 1 y la señal B cambia a un valor de 075 en el canal 1, la señal mezclada reflejará el cambio. El valor del último cambio realizado estará siempre en la señal mezclada.

Para configurar la mezcla de señal, siga las instrucciones siguientes:

1. Pulse **<MENU>** repetidamente hasta que aparezca en la pantalla **Net Merge** (para la mezcla de la señal Ethernet)
2. Pulse **<ENTER>**.
3. Utilice **<UP>** o **<DOWN>** para seleccionar **HTP** (*Highest Takes Precedence*, el más alto tiene prioridad), **LTP** (*Latest Takes Precedence*, el último tiene prioridad) u **OFF** (para deshabilitar la mezcla de la señal).
4. Pulse **<ENTER>**.



- **El Net-X solo puede mezclar señales de dos controladores al mismo tiempo.**
- **El Net-X no puede mezclar señales de distintos protocolos.**
- **Para poderse mezclar, las señales Ethernet deben estar en el mismo universo.**
- **Para poderse mezclar, las señales sACN deben ser de la misma prioridad.**

Indicadores

Los tres indicadores de luz LED en el frontal del Net-X, junto a la pantalla de menú, indican cuándo hay alimentación, ethernet o DMX. La tabla de abajo explica el comportamiento de las luces y lo que significan.

Indicador	Comportamiento	Significado
ALIMENTACIÓN	Rojo fijo	Llega alimentación al Net-X
	Apagado	No llega alimentación al Net-X
SEÑAL	Parpadea rápidamente en rojo	La señal ethernet está llegando al Net-X
	Parpadea lentamente	La señal ethernet no está llegando al Net-X
DMX	Parpadea rápidamente en rojo	La señal DMX está llegando al Net-X
	Parpadea lentamente	La señal DMX no está llegando al Net-X



Mientras que Net-X está encendido, las luces indicadoras de Señal y DMX parpadean lentamente cuando no hay nada conectado a sus puertos. Estas luces indicadoras parpadearán rápidamente después de las conexiones de cables se hacen y las señales de ethernet y DMX están siendo recibidos por Net-X.

Configuraciones de ejemplo

El Net-X es extremadamente versátil, con capacidad para actuar como fuente DMX y como fuente Ethernet, que se pueden combinar para que el Net-X actúe simultáneamente como splitter DMX, adaptador Ethernet a DMX y nodo Ethernet.

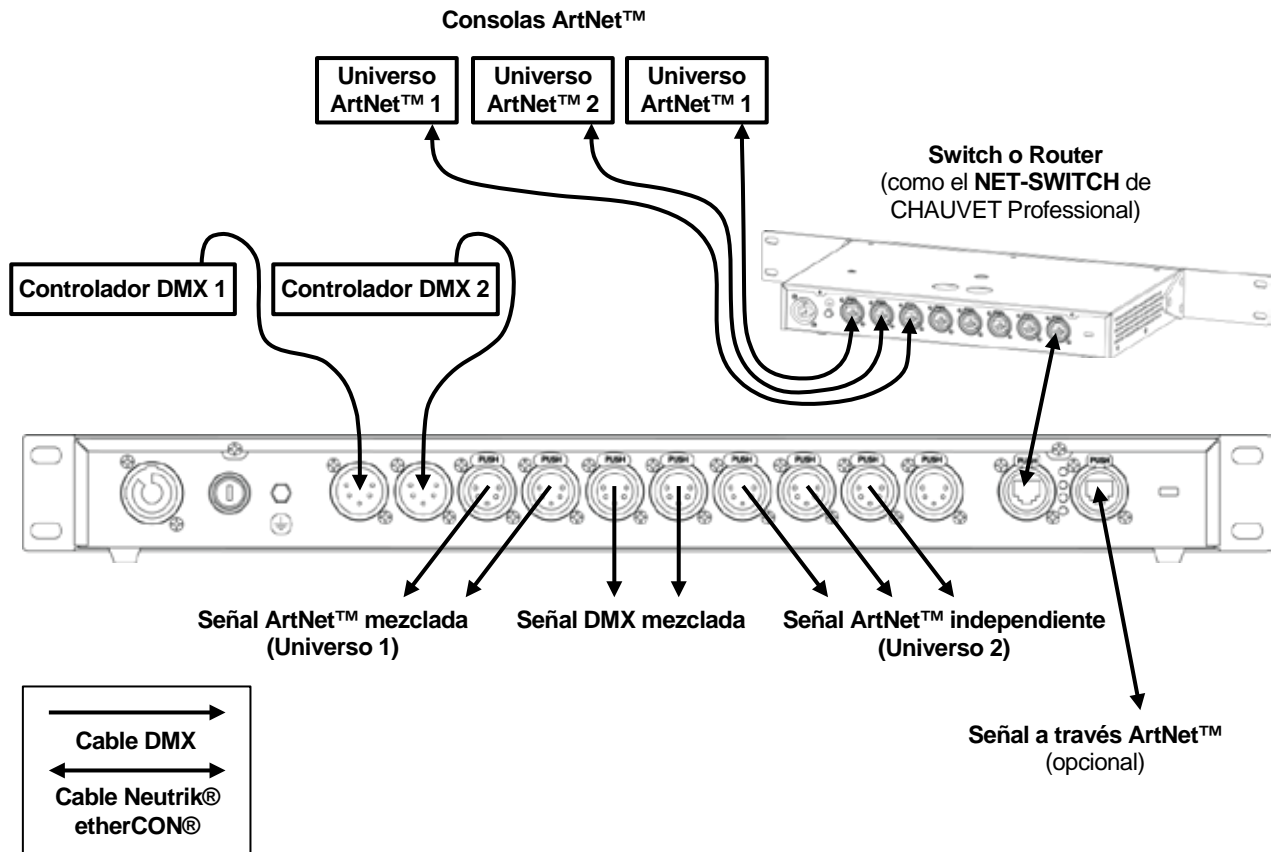
Configuración de ejemplo 1: Fuentes Art-Net™ y DMX

Este ejemplo muestra una forma de configurar el Net-X para mezclar dos señales Art-Net™ con HTP, mezclar dos señales DMX con LTP y emitir ambas señales y otra señal Art-Net™ a varios puertos de salida DMX distintos. Los números de este ejemplo se emplean solo para propósitos ilustrativos, y son solo una de las miles configuraciones posibles.

Primero, configure dos controladores Art-Net™ para emitir señales en la Red 0, Subred 0, Universo 1, y un tercer controlador Art-Net™ para emitir señales en la Red 0, Subred 0, Universo 2. A continuación, haga lo siguiente:

1. Configure el protocolo Ethernet para el Net-X como **ArtNet** (vea [Configuración Ethernet](#)).
2. Configure los ajustes de **Net** como **0** (vea [Configurar los ajustes de red Art-Net™](#)).
3. Configure la dirección de **Subnet** como **0** (vea [Dirección de subred de Art-Net™](#)).
4. Configure la **IP Address #1** como **2.255.255.001** y la **IP Address #2** como **2.255.255.002** (vea [Configurar las direcciones IP](#)).
5. Configure **Net Mode** como **HTP** y **DMX Mode** como **LTP** (vea [Mezcla de señal](#)).
6. Configure el **Universo #1** y el **#2** a **1** y el **Universo #5, #6 y #7** a **2** (vea [Universos Art-Net™](#)).
7. Configure las **DMX Output #1, #2, #5, #6 y #7** en la **ArtNet Input**, las **DMX Output #3 y #4** en la **DMX #1 Input** y la **DMX Output #8** en **Without Input** (vea [Configurar las salidas DMX](#)).
8. Conecte todos los cables de entrada y salida como se indica en el [Diagrama de ejemplo 1](#).

Diagrama de ejemplo 1



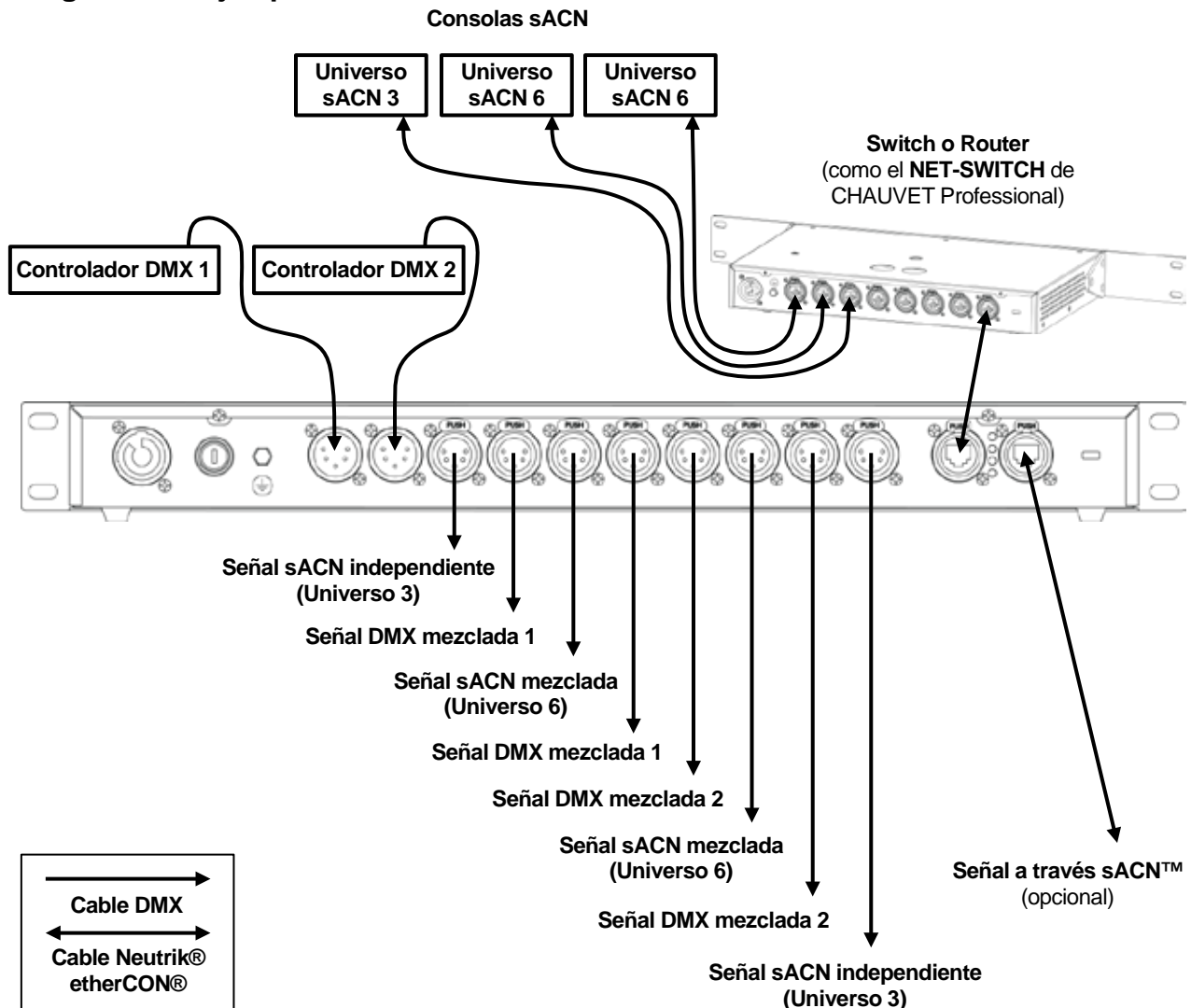
Configuración de ejemplo 2: fuentes sACN y DMX

Este ejemplo muestra una forma de configurar el Net-X para mezclar dos señales sACN con LTP, dividir dos señales DMX distintas y emitir esas señales y otra señal sACN a varios puertos de salida DMX distintos. Los números de este ejemplo se emplean solo para propósitos ilustrativos, y son solo una de las miles configuraciones posibles.

Primero, configure dos controladores sACN para emitir señales con la misma prioridad en el Universo 6, y un tercer controlador sACN para emitir una señal en el Universo 3. A continuación, haga lo siguiente:

1. Configure el protocolo Ethernet para el Net-X como **sACN** (vea [Configuración Ethernet](#)).
2. Configure **IP Address #1** como **239.255.255.003** y **IP Address #2** como **239.255.255.006** (vea [Configurar las direcciones IP](#)).
3. Configure **Net Mode** como **LTP** y **DMX Mode** en **OFF** (vea [Mezcla de señal](#)).
4. Configure el **Universo #1** y el **#8** a **3** y el **Universo #3** y **#6** a **6** (vea [Universos sACN](#)).
5. Configure las **DMX Output #1, #3, #6** y **#8** en la **sACN Input**, las **DMX Output #2** y **#4** en la **DMX #1 Input** y las **DMX Output #5** y **#7** en la **DMX #2 Input** (vea [Configurar las salidas DMX](#)).
6. Conecte todos los cables de entrada y salida como se indica en el [Diagrama de ejemplo 2](#).

Diagrama de ejemplo 2



5. Información Técnica

Mantenimiento

Para mantener un rendimiento óptimo y minimizar el desgaste, debe limpiar este producto con frecuencia. El uso y el entorno pueden influir para determinar la frecuencia de las limpiezas.

Como norma general, limpie este producto al menos dos veces al mes. El polvo acumulado reduce el rendimiento de la salida de luz y puede provocar sobrecalentamiento. Esto puede conducir a una reducción de la vida de la fuente de luz e incrementar el desgaste mecánico.

Para limpiar el Net-X:

1. Desenchufe el producto de la alimentación.
2. Espere a que el producto esté a temperatura ambiente.
3. Use un aspirador (o aire seco comprimido) y un cepillo suave para quitar el polvo depositado en orificios de aireación externos.
4. Limpie todas las superficies exteriores con una solución suave de limpiador sin amoníaco o use alcohol isopropílico.
5. Aplique la solución directamente sobre un paño suave que no deje pelusa o un paño de limpiar lentes.
6. Asegúrese de que todas las conexiones estén completamente secos antes de volver a conectar los cables de alimentación y de señal.
 - Mantenga el entorno del Net-X libre de polvo, suciedad, agua y temperaturas extremas.
 - Inserte y quite los cables DMX y Neutrik® etherCON® con cuidado y sin brusquedad.
 - Ponga el Net-X en la parte superior cuando haya equipos apilados o lo monte en rack.
 - Apague el Net-X cuando no lo esté usando.



Seque siempre con cuidado las superficies externas después de limpiarlas.

6. Especificaciones Técnicas

Dimensiones y Peso

Longitud	Anchura	Altura	Peso
19" (483 mm)	6,6" (168 mm)	1,8" (45 mm)	4,4 lb (2,0 kg)

Alimentación

Fuente de Alimentación	Rango	Selección de Tensión
Conmutación (interna)	100 a 240 VCA, 50/60 Hz	Detección automática (autorango)

Parámetro	120 V, 60 Hz	208 V, 60 Hz	230 V, 50 Hz
Consumo	30 W	30 W	30 W
Corriente de Funcionamiento	0,25 A	0,14 A	0,13 A

Conexión de Alimentación	Entrada de Alimentación
Enchufe Edison a Neutrik® powerCON® (EE.UU./Canadá) Enchufe local a Neutrik® powerCON® (Internacional)	Neutrik® powerCON®

Conexiones de Datos

E/S	Tipo
Entradas de datos	Neutrik® etherCON® (2 en total)
	XLR 5 pines (2 en total)
Salidas de datos	XLR 5 pines (8 en total)
Enlace de datos	Neutrik® etherCON® (2 en total)

Pedidos

Nombre de producto	Código de artículo	Número UPC
Net-X	03080858	781462212063



Devoluciones

En caso de que necesite asistencia o devolver un producto:

- Si se encuentra en EE. UU., póngase en contacto con la Oficina Central de Chauvet.
- Si se encuentra en el Reino Unido o Irlanda, póngase en contacto con Chauvet Europe Ltd.
- Si se encuentra en México, póngase en contacto con Chauvet México.
- Si se encuentra en Benelux, póngase en contacto con Chauvet Europe BVBA.

Si se encuentra en cualquier otro país, NO contacte con Chauvet. Contacte con su distribuidor local. Vea www.chauvetlighting.com para distribuidores fuera de EE.UU., Reino Unido, Irlanda, México o Benelux.



Si se encuentra fuera de los EE.UU., Reino Unido, Irlanda, México o Benelux, póngase en contacto con su distribuidor de registro y siga sus instrucciones sobre cómo devolverle a ellos los productos Chauvet. Visite www.chauvetlighting.com para detalles de contacto.

Llame a la oficina de Asistencia Técnica Chauvet correspondiente y pida un número de Autorización de Devolución de la mercancía (RMA) antes de enviar el producto. Esté preparado para proporcionar el número de modelo, número de serie y una breve descripción de la causa de la devolución.

Envíe la mercancía a portes pagados, en su caja original y con su embalaje y accesorios originales. Chauvet no expedirá etiquetas de devolución.

Etiquete el paquete claramente con el número de RMA. Chauvet rechazará cualquier producto devuelto sin un número de RMA.



Escriba el número de RMA en una etiqueta convenientemente adherida. NO escriba el número de RMA directamente sobre la caja.

Antes de enviar el producto, escriba claramente la siguiente información en una hoja de papel y colóquela dentro de la caja:

- Su nombre
- Su dirección
- Su número de teléfono
- Número de RMA
- Una breve descripción del problema

Asegúrese de que empaqueta el producto adecuadamente. Cualquier daño en el transporte que resulte de un empaquetado inadecuado será responsabilidad suya. Se recomienda empaquetado FedEx o de doble caja.



Chauvet se reserva el derecho de usar su propio criterio para reparar o reemplazar productos devueltos.

Contacto

EE.UU. OFICINA CENTRAL

Información General – Chauvet

Dirección: 5200 NW 108th Avenue
Sunrise, FL 33351

Voz: (954) 577-4455

Fax: (954) 929-5560

Número
gratuito: (800) 762-1084

Servicio Técnico

Voz: (844) 393-7575

Fax: (954) 756-8015

Email: chauvetcs@chauvetlighting.com

Sitio Web www.chauvetlighting.com

EUROPE

Información General - Chauvet Europe BVBA

Dirección: Stokstraat 18
9770 Kruishoutem
Belgium

Voz: +32 9 388 93 97

Servicio Técnico

Email: Eutech@chauvetlighting.eu

Sitio Web www.chauvetlighting.eu

Información General - Chauvet Europe Ltd.

Dirección: Unit 1C
Brookhill Road Industrial Estate
Pinxton, Nottingham, UK
NG16 6NT

Voz: +44 (0)1773 511115

Fax: +44 (0)1773 511110

Servicio Técnico

Email: uktech@chauvetlighting.com

Sitio Web www.chauvetlighting.co.uk

MÉXICO

Información General - Chauvet México

Dirección: Av. De las Partidas 34 – 3B, Zona
Industrial Lerma
Lerma, Edo .de México
C.P.52000

Voz: +52 (728) 285-5000

Servicio Técnico

Email: servicio@chauvet.com.mx

Sitio Web www.chauvet.com.mx

Fuera de EE.UU., Reino Unido, Irlanda, México, o Benelux póngase en contacto con su proveedor. Siga sus instrucciones para pedir soporte o para devolver un producto. Visite www.chauvetlighting.com para detalles de contacto.

Notes d'Édition

Le manuel d'utilisation du Net-X Rév. 4 comporte la description, les mesures de précautions, les instructions d'installation, d'utilisation et de maintenance du Net-X. Chauvet a édité cette version du manuel d'utilisation du Net-X en janvier 2016.

Marques

CHAUVET, le logo Chauvet et Net-X sont des marques déposées ou des marques de Chauvet & Sons Inc. (d/b/a Chauvet et Chauvet Lighting) aux États-Unis et dans d'autres pays. Les autres noms de produits et logos mentionnés dans le présent manuel peuvent être des marques commerciales de leurs sociétés respectives.

Avis de Copyright

Les œuvres d'auteur contenues dans ce manuel, y compris, mais sans s'y limiter, l'ensemble des conceptions, des textes et des images sont la propriété de Chauvet.

© **Copyright 2017 Chauvet & Sons, LLC. Tous droits réservés.**

Publié électroniquement par Chauvet aux États-Unis.

Utilisation du Manuel

Chauvet autorise ses clients à télécharger et à imprimer ce manuel uniquement à des fins d'information professionnelle. Chauvet interdit expressément l'utilisation, la copie, le stockage, la distribution, la modification ou l'impression de ce manuel ou de son contenu à d'autres fins sans son consentement écrit.

Impression du Document

Pour obtenir les meilleurs résultats, imprimez ce document en couleur, sur du papier au format lettre (8,5 x 11 pouces), recto-verso. Si vous utilisez du papier A4 (210 x 297 mm), configurez votre imprimante afin que le contenu soit correctement mis à l'échelle.

Public visé

Toute personne en charge de l'installation, de l'utilisation et/ou de la maintenance de cet appareil doit lire ce manuel dans leur intégralité avant toute installation, utilisation ou maintenance de l'appareil.

Clause de non Responsabilité

Chauvet estime que les informations contenues dans ce manuel sont exactes à tous les égards. Cependant, Chauvet n'assume aucune responsabilité et décline expressément toute responsabilité envers toute partie de toute perte, tout dommage ou tout dérangement qui aurait été causé par des erreurs ou des omissions dans ce document, que ces erreurs ou omissions résultent d'une négligence, d'un accident ou de toute autre cause. Chauvet se réserve le droit de réviser le contenu de ce document sans aucune obligation d'en notifier quelque personne ou société que ce soit. Cependant, Chauvet n'a ni d'obligation de réaliser de telles révisions, ni d'engagement à les réaliser.

Révision du Document

La révision 5 du manuel d'utilisation du Net-X remplace toute version antérieure de ce manuel. Veuillez vous débarrasser de toute version antérieure de ce manuel et les remplacer par cette version. Veuillez consulter le site internet www.chauvetprofessional.com pour la dernière version.

1. Avant de Commencer

Contenu

- Net-X
- Cordon d'alimentation Neutrik® powerCON®
- 1 fiche de garantie
- 1 manuel de l'utilisateur

Déballage

Déballer avec précaution et sans attendre le Net-X et vérifiez que tous les éléments se trouvent dans l'emballage et ne présentent aucun dommage.

Réclamations




Si l'emballage ou le contenu semblent avoir été endommagés pendant le transport, ou qu'ils présentent des traces de mauvaise manipulation, gardez tous les matériaux d'emballage et envoyez immédiatement une réclamation au transporteur. Ne contactez pas Chauvet. Si les dommages ne sont pas signalés au transporteur immédiatement, ou si l'intégralité de l'emballage n'est pas conservée pour inspection ultérieure, la réclamation peut être invalidée.

Pour tout autre problème comme la non-livraison de pièces ou de composants, des dommages sans rapport avec la livraison ou pour des vices cachés, veuillez déposer votre réclamation auprès de Chauvet dans les 7 jours suivant la livraison. Pour savoir comment prendre contact avec Chauvet, veuillez consulter la section [Nous Contacter](#) de ce manuel.

Conventions


Convention	Signification
1-512	Une plage de valeurs
50/60	Un ensemble de valeurs
Settings	Informations affichées à l'écran
Menu > Settings	Une option de menu
<ENTER>	Une séquence d'options de menu
ON	Un bouton


Symboles

Symboles	Signification
	Consignes importantes en matière d'installation, de configuration et de fonctionnement. Le non-respect de ces consignes peut entraîner le non fonctionnement de l'appareil, des dommages à des équipements tiers ou à l'opérateur
	Consignes importantes en matière d'installation ou de configuration. Le non respect de ces consignes peut empêcher le bon fonctionnement de l'appareil
	Information utile

Consignes de Sécurité

Veillez lire les consignes de sécurité qui suivent attentivement avant de commencer à travailler avec l'appareil. Ces consignes fournissent des informations de sécurité importantes sur l'installation, l'utilisation et la maintenance.

- 
- Connectez toujours l'appareil à un circuit relié à la terre.
 - Veillez à ce que le cordon d'alimentation ne soit jamais pincé ou endommagé.
 - Toujours connecter l'appareil à une source d'alimentation avec la tension appropriée indiquée sur l'étiquette du produit.
 - Ne pas utiliser cet appareil si vous constatez que le boîtier a subi des dommages.
 - Cet appareil doit uniquement être utilisé en intérieur ! Il répond aux exigences de la norme IP 20. N'exposez l'appareil ni à la pluie, ni à l'humidité.
 - Toujours débrancher l'appareil de la source d'alimentation avant de le nettoyer ou de remplacer le fusible.
 - Ne débranchez jamais cet appareil en tirant sur le cordon d'alimentation.
 - En cas d'installation de l'appareil en hauteur, assurez-vous de toujours utiliser un câble de sécurité pour le maintenir en place et que son poids soit suffisamment supporté.
 - Veillez à ce qu'il ne se trouve jamais à proximité d'un matériel inflammable lorsqu'il est en fonctionnement.

- 
- Cet appareil n'est pas adapté pour une installation permanente.
 - Ne connectez jamais l'appareil à un variateur ou un rhéostat.
 - Installez toujours l'appareil dans un endroit bien ventilé.
 - Ne faites pas fonctionner l'appareil à une température ambiante de plus de 40 °C (104 °F).
 - Cet appareil ne contient aucune pièce réparable par l'utilisateur. Toute référence à des réparations dans ce manuel de l'utilisateur ne s'applique qu'à des techniciens certifiés Chauvet ayant reçu une formation adéquate. Ne pas ouvrir le boîtier ou essayer d'effectuer des réparations.
 - Les dommages causés par les modifications manuelles ne sont pas couverts par la garantie. Chauvet n'accepte aucune responsabilité pour les dommages causés par des modifications non autorisées ou ne respectant pas les consignes de sécurité et les instructions de ce manuel.
 - Tous les codes et règlements locaux en vigueur doivent être respectés pour une installation correcte de cet appareil.
 - En cas de sérieux problèmes de fonctionnement, arrêtez l'appareil immédiatement.
 - Si le produit nécessite une réparation, contactez Chauvet. Pour plus d'informations, voir [Renvois](#) et [Nous Contacter](#).
 - Durant les périodes de non-utilisation, pour éviter toute usure inutile et pour prolonger la durée de vie, déconnectez-entièrement l'appareil en le débranchant de l'alimentation électrique ou en coupant le disjoncteur.



Veillez conserver ce manuel d'utilisation pour vous y référer ultérieurement

2. Introduction

Description de l'Appareil

Le Net-X est un adaptateur ethernet vers DMX montable en rack, fiable et multi-usages. Il est peut également être utilisé en tant que répartiteur DMX optique et concentrateur Art-Net™. Il dispose de deux ports d'entrée DMX à 5 broches et de huit ports de sortie DMX à 5 broches qui bénéficient tous d'une isolation optique. Il peut gérer jusqu'à 8 univers Art-Net™ ou sACN simultanément. Les huit ports de sortie DMX 5 broches peuvent être affectés à n'importe lequel des ports d'entrée DMX ou à l'un des univers Art-Net™ ou sACN. Les ports Neutrik® etherCON® sont des ports traversants qui permettent de chaîner plusieurs appareils Net-X. Le Net-X fournit une infrastructure réseau fiable et hautement personnalisable pour les systèmes de contrôle complexes. Permet de fusionner deux contrôleurs dans le Net-X par DMX, Art-Net™ ou sACN en supportant à la fois les fonctions LTP (le dernier prend le dessus) et HTP (le plus élevé prend le dessus).

Caractéristiques de l'Appareil

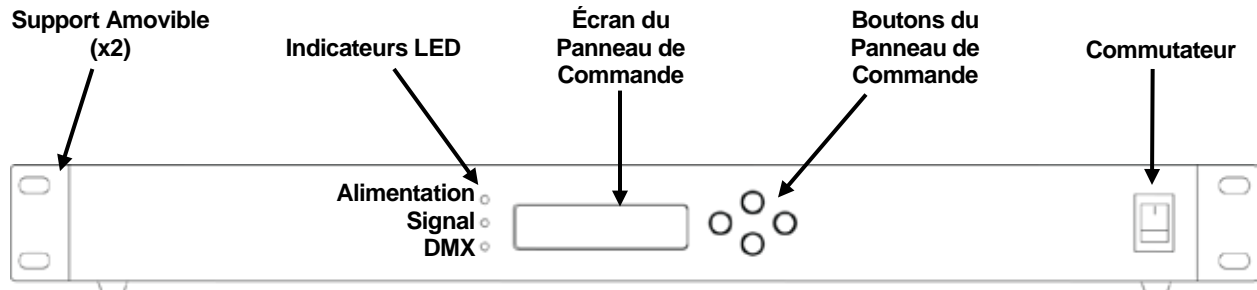
- Montable en rack.
- Peut la fois servir de concentrateur ethernet et de répartiteur optique.
- Huit ports de sortie avec isolation optique.
- Modes de fonctionnement variables pour tous les ports de sortie DMX.
- Deux ports d'entrée/traversants Neutrik® etherCON®.
- Fusion de deux contrôleurs par DMX, Art-Net™ ou sACN

Appareils Supplémentaires

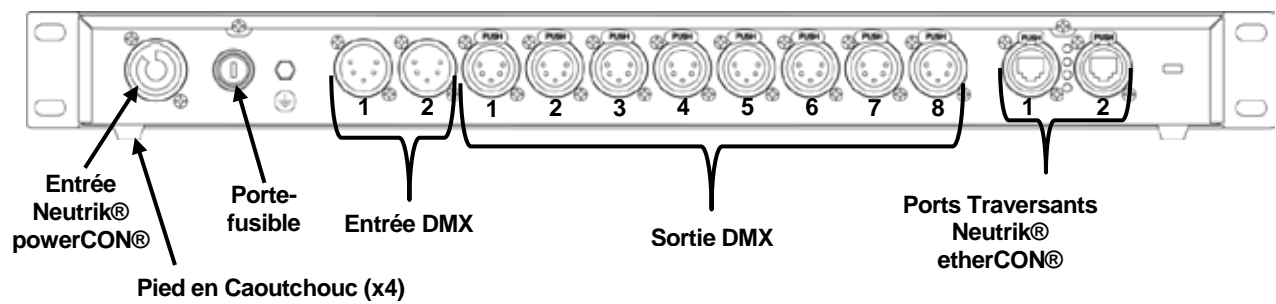
Le Net-X est à la fois un adaptateur et un concentrateur qui s'utilise au sein d'un système de contrôle. Chauvet propose toute une gamme d'appareils vidéo et d'éclairage qui fonctionnent avec le Net-X. Pour plus d'informations sur les appareils CHAUVET compatibles, veuillez consulter le site internet de Chauvet à l'adresse <http://www.chauvetlighting.com/product-manuals-literature/>.

Vue d'Ensemble du Produit

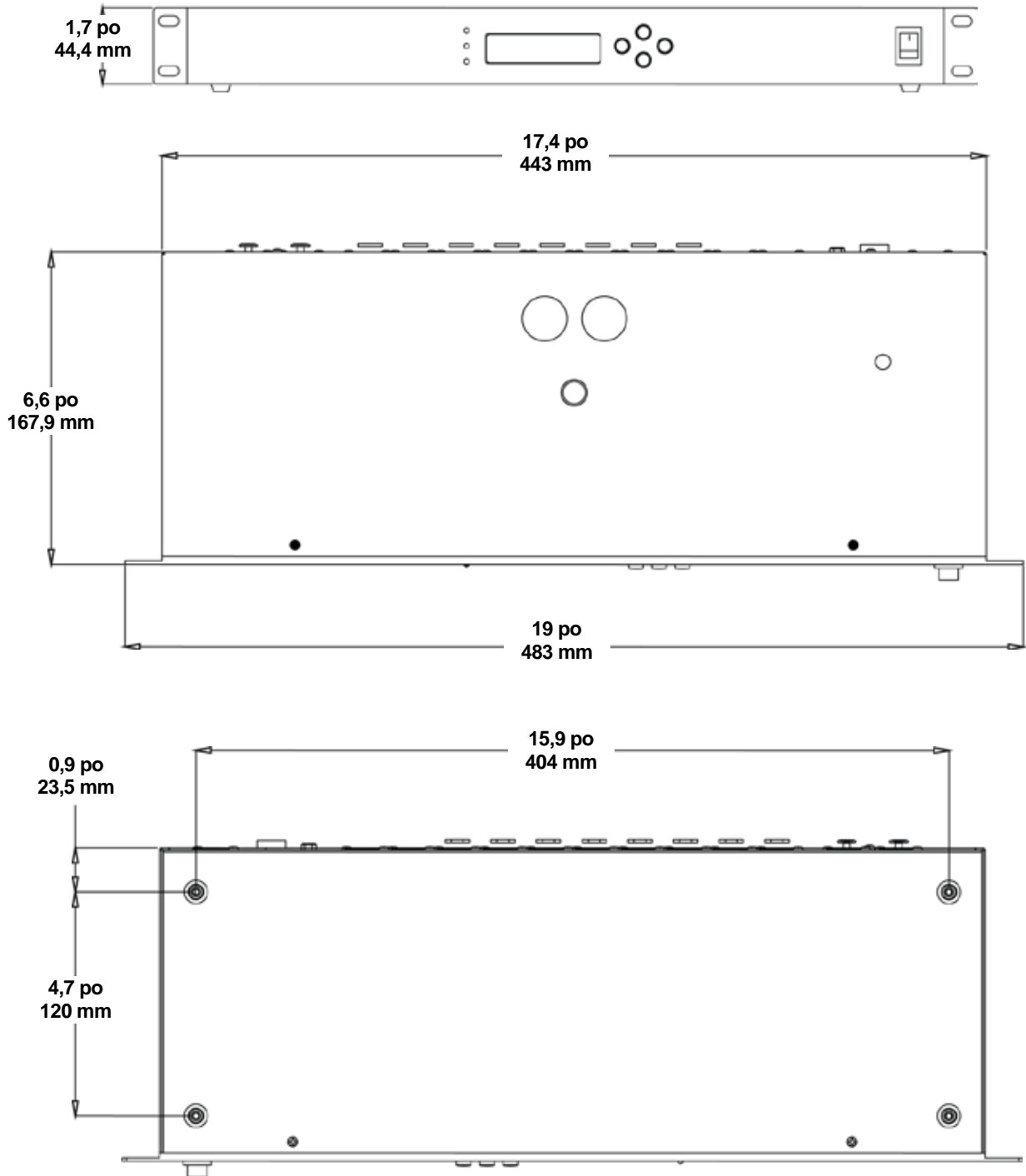
Vue Frontale



Vue Arrière



Dimensions de l'Appareil



3. Configuration et Installation

Alimentation CA

Le Net-X est doté d'une alimentation universelle interne qui peut prendre en charge toute tension d'entrée comprise entre 100 et 240 V CA, 50/60 Hz. Pour déterminer les besoins en alimentation du Net-X, consultez l'étiquette apposée sur l'appareil ou la section Spécificités Techniques.

L'ampérage affiché indique la consommation maximale de courant pendant le fonctionnement normal. Pour plus d'informations, veuillez télécharger le manuel "Sizing Circuit Breakers" (dimensionnement des disjoncteurs) sur le site internet de Chauvet à l'adresse www.chauvetprofessional.com.



- **Cet appareil doit toujours être branché sur un circuit correctement relié à la terre et protégé.**
- **Ne connectez jamais cet appareil à un rhéostat (résistance variable) ou un circuit voileur, même si vous n'avez l'intention de vous servir du rhéostat ou du canal d'assombrissement que comme interrupteur 0 à 100%.**
- **Durant les périodes de non-utilisation, pour éviter toute usure inutile et pour prolonger la durée de vie, déconnectez-entièrement l'appareil en le débranchant de l'alimentation électrique ou en coupant le disjoncteur.**

Remplacement des Fusibles

Le Net-X utilise un fusible T 250 mA 250 V accessible depuis l'arrière de l'appareil. Pour remplacer le fusible, effectuez les actions suivantes :

1. Débranchez l'appareil.
2. Avec un tournevis plat, dévissez le capuchon du porte-fusible du boîtier.
3. Retirez le fusible grillé.
4. Remplacez-le par un fusible de même type.
5. Remettez en place et vissez le capuchon du porte-fusible, puis rebranchez.



- **Débranchez l'appareil avant de changer le fusible.**
- **Veillez à toujours remplacer un fusible grillé avec un fusible de même type et de même ampérage.**

Instructions pour l'Installation

Le Net-X s'utilise au sein d'un système de contrôle pour faire fonctionner de nombreux appareils d'éclairage et multimédia. La construction physique et numérique du réseau de contrôle est déterminée par les besoins en emplacement et en signaux des appareils.

Lors de la conception d'un système de contrôle qui utilise un appareil Net-X, vous devez prendre en considération les instructions qui suivent.

- Vous devez placer le Net-X afin que le menu et les ports soit accessibles.
- Vous devez placer les câbles de manière à ce qu'aucune tension ou traction ne soit exercée sur les câbles ou les prises.
- La planification d'un large système de contrôle doit être effectuée avec soin avant de procéder à la configuration des composants. Cela permet d'éviter des doublons dans les adresse IP, les adresses DMX et les autres identifiants.

Montage

Avant de monter cet appareil, lisez et respectez les Consignes de Sécurité. Pour consulter la gamme de fixations de montage Chauvet, consultez l'adresse www.trusst.com/productcategory/accessories-clamps/.

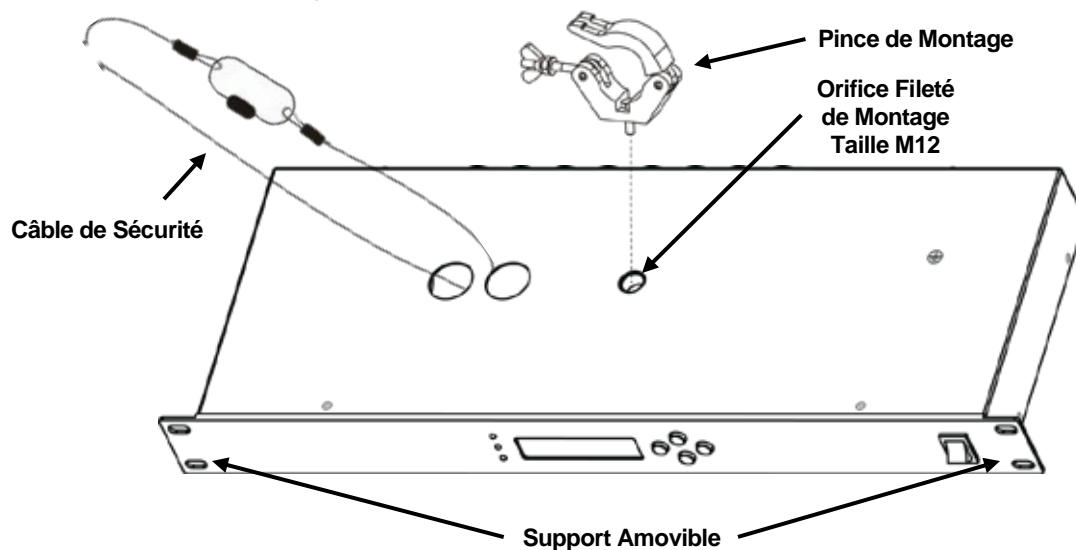
Orientation

Toujours monter ce produit dans un endroit sûr et s'assurer qu'il permette l'accès au menu et aux ports, et y a suffisamment d'espace pour la ventilation, la configuration et la maintenance. Le Net-X se loge parfaitement dans un rack 48 cm (19"), peut être suspendu verticalement ou à l'envers, ou être placé sur ses pieds en caoutchouc sur une surface plane.

Suivez les instructions suivantes lors du montage du Net-X:

- Lorsque vous choisissez un emplacement pour le montage, ayez toujours en tête l'accès facile à l'appareil pour l'utilisation, les réglages de programmation et l'entretien régulier.
- Assurez-vous de monter ce produit à l'écart de toute matière inflammable comme indiqué dans les Consignes de Sécurité.
- Ne montez jamais l'appareil dans des endroits où la pluie, une humidité élevée, des changements de température extrêmes ou un manque de ventilation pourraient endommager l'appareil.
- Si vous suspendez cet appareil, assurez-vous que l'emplacement de montage peut supporter le poids de l'appareil. Veuillez consulter la section Spécificités Techniques pour les exigences en poids à supporter pour cet appareil.
- Lorsque vous suspendez cet appareil, veillez à toujours le fixer à un dispositif d'attache à l'aide d'un câble de sécurité (tel que le CH-05 de Chauvet).
- Laissez assez de mou sur les câbles pour éviter les tensions et de tirer sur les prises.

Schéma de Montage



Connexions du Signal

Le Net-X peut recevoir un signal sur les 2 ports d'entrée DMX et sur l'un des 2 ports Neutrik® etherCON®. Il peut envoyer un signal à partir des 8 ports de sortie DMX et à partir de l'autre port Neutrik® etherCON®.

Connexion Art-Net™

Art-Net™ est un protocole Ethernet par TCP/IP qui permet de transférer de grandes quantités de données DMX512 en utilisant une connexion etherCON® RJ45 sur un grand réseau. Une introduction au protocole Art-Net™ est disponible sur le site internet www.chauvetprofessional.com. Art-Net™ est conçu et protégé par droits d'auteur par Artistic Licence Holdings Ltd.

Connexion sACN

Également appelé ANSI E1.31, le streaming ACN est un protocole Ethernet qui utilise les couches et le formatage de l'Architecture for Control Networks pour transporter des données DMX512 par IP ou tout autre réseau compatible ACN. L'ACN est maintenu par la PLASA (Professional Lighting and Sound Association).

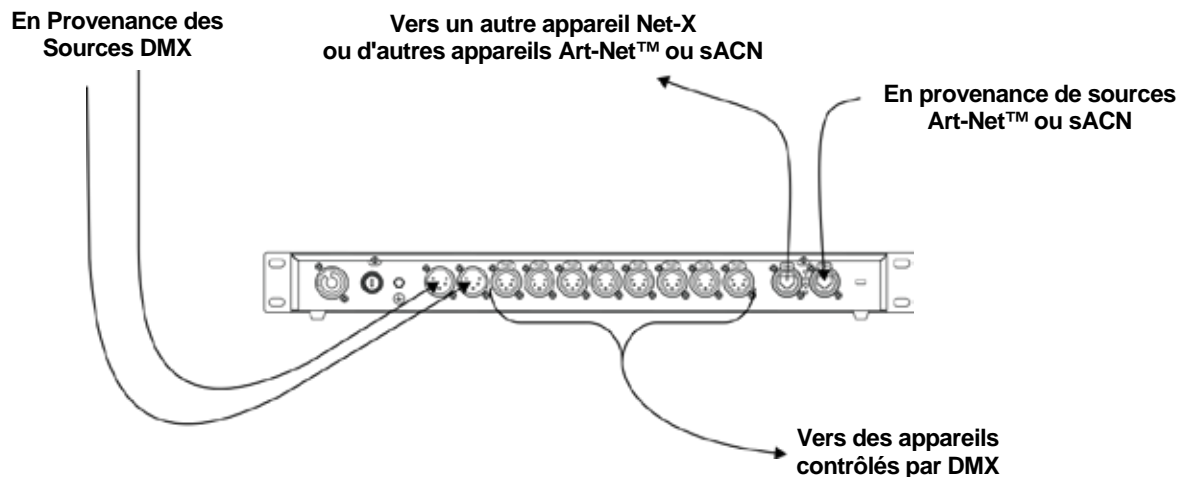
Priorité sACN

La priorité est un nombre compris entre 0 et 200 défini par un contrôleur qui envoie un signal sACN. Plus le nombre est élevé, plus la priorité est haute. Les signaux avec une priorité basse sont ignorés en présence d'un signal de priorité plus élevée. Lorsqu'un signal de priorité supérieure se met en pause ou s'arrête pendant plus de 5 secondes en présence d'un signal de priorité inférieure, le prochain signal avec la priorité la plus élevée est traité. Cette fonctionnalité permet aux contrôleurs d'être paramétrés en tant que solution de secours en cas de défaillance du contrôleur principal. Les signaux avec une priorité de 0 sont ignorés. Afin que deux signaux puissent être fusionnés par le Net-X, ils doivent avoir la même priorité.

Diffusion sACN multiple

Le Net-X permet d'effectuer une diffusion sACN multiple.

Schéma des Connexions de Signal



- Les ports Neutrik® etherCON® sont des ports traversants. Chaque port peut soit faire office de port d'entrée ou de port de sortie.
- Les ports DMX peuvent uniquement être des ports d'entrée ou de sortie. Il y a 2 ports d'entrée DMX et 8 ports de sortie DMX.

4. Configuration et Utilisation

La configuration du Net-X s'effectue par le biais des boutons du panneau de commande. Une fois le Net-X correctement configuré, il fonctionne sans intervention de l'utilisateur.

Le Net-X peut être utilisé en tant que répartiteur DMX, auquel cas les ports d'entrée DMX doivent être affectés aux ports de sortie DMX. Les paramètres d'adresse réseau, de sous-réseau et d'adresse IP ne nécessitent alors pas d'être configurés.

Le Net-X peut être utilisé en tant que nœud Art-Net™, auquel cas les univers Art-Net™ doivent être affectés aux ports de sortie DMX. Les paramètres d'adresse réseau, de sous-réseau et d'adresse IP doivent être configurés.

Le Net-X peut être utilisé en tant que nœud sACN, auquel cas les univers sACN doivent être affectés aux ports de sortie DMX. Les paramètres d'adresse réseau, de sous-réseau et d'adresse IP doivent être configurés.

Le Net-X peut être utilisé à la fois comme un répartiteur DMX et un nœud soit Art-Net™ ou sACN, auquel cas les affectations DMX et les paramètres Art-Net™ ou sACN doivent être tous les deux configurés. Pour plus d'informations, veuillez consulter la section [Exemples de configuration](#).

Le Net-X peut être utilisé pour fusionner deux signaux DMX, Art-Net™ ou sACN en provenance de contrôleurs différents et les restituer sous la forme d'un seul signal en utilisant les fonctions LTP (le dernier prend le dessus) et HTP (le plus élevé prend le dessus).



Les ports d'entrée DMX et les univers Art-Net™ ou sACN peuvent être affectés à plusieurs ports de sortie DMX.

Panneau de Commande

Le panneau de commande est le mécanisme qui permet de configurer les paramètres du Net-X. Il est constitué d'un petit écran LCD et de quatre boutons qui sont décrits ci-après.

Bouton	Fonction
<MENU>	Permet de se déplacer parmi les options du premier niveau ou de sortie du menu ou de la fonction en cours
<UP>	Permet de naviguer vers le haut dans la liste du menu ou d'incrémenter une valeur numérique dans une fonction
<DOWN>	Permet de naviguer vers le bas dans la liste du menu ou de décrémenter une valeur numérique dans une fonction
<ENTER>	Active l'entrée de menu actuellement affichée ou confirme la valeur actuellement sélectionnée pour la fonction en cours de sélection

Plan du Menu

Le plan du menu représente l'organisation des paramètres de configuration. Vous pouvez l'utiliser pour référence lors de la configuration du Net-X.

Firmware V2.62

Fonction Principale	Niveaux de Programmation	Art-Net™	sACN	Description
<Net>	0–127	a		Permet de définir l'adresse réseau
<Subnet>	0–15	a		Permet de définir l'adresse sous-réseau
<Universe #1> à <Universe #8>	0–15	a		Permet de définir l'univers Art-Net™ pour le port de sortie DMX correspondant (uniquement nécessaire si le port DMX est paramétré en Art-Net™).
	1–255		a	Permet de définir l'univers sACN pour le port de sortie DMX correspondant (uniquement nécessaire si le port DMX est paramétré en sACN).
<DMX Output #1> à <DMX Output #8>	ArtNet Input	a		Permet de définir la source en entrée pour le port DMX vers Art-Net™
	sACN Input		a	Permet de définir la source en entrée pour le port DMX vers sACN
	DMX #1 Input	a	a	Permet de définir la source en entrée pour le port DMX vers le port d'entrée DMX 1
	DMX #2 Input	a	a	Permet de définir la source en entrée pour le port DMX vers le port d'entrée DMX 2
	Without Input	a	a	Permet de désactiver le port de sortie DMX
<IP Address #1> à <IP Address #2>	x*.xxx.xxx.xxx	a	a	Permet de définir les deux adresses IP du Net-X Remarque : Les adresses ne peuvent pas être les mêmes
<Device ID>	xxxxxxxx	a	a	Affiche l'ID d'appareil du Net-X
<Protocol>	ArtNet	a	a	Permet de sélectionner le protocole Ethernet Art-Net™
	sACN	a	a	Permet de sélectionner le protocole Ethernet sACN
<Net Merge>	OFF	a	a	Permet de désactiver la fusion de signal Ethernet
	HTP	a	a	Permet de configurer la fusion de signal Ethernet sur le mode HTP (le plus élevé prend le dessus)
	LTP	a	a	Permet de configurer la fusion de signal Ethernet sur le mode LTP (le dernier prend le dessus)
<DMX Merge(beta)>	OFF	a	a	Réservé pour utilisation future.
	HTP	a	a	
	LTP	a	a	

* - En mode Art-Net™, le début des adresses IP est défini par le paramètre Net, soit à la valeur



- 2 pour un paramètre de Net à 0,
ou
- 10 pour un paramètre de Net à 1.

* - En mode sACN, le début des adresses IP peut être paramétré à 2, 10 ou 239.

Configuration Ethernet

Pour paramétrer le Net-X afin de recevoir et d'envoyer soit en Art-Net™ ou en sACN, suivez les instructions ci-dessous :

1. Appuyez sur la touche **<MENU>** de manière répétée jusqu'à ce que l'affichage indique **<Protocol>**.
2. Appuyez sur **<ENTER>**.
3. Utilisez les boutons **<UP>** ou **<DOWN>** pour sélectionner la valeur **ArtNet** ou **sACN**.
4. Appuyez sur **<ENTER>**.

Adresse de sous-réseau Art-Net™

Le Net-X dispose de 16 ensembles de sous-réseaux avec chacun 16 univers, ce qui fait un total de 256 adresses d'univers. L'adresse de sous-réseau doit être configurée si le Net-X est utilisé en tant que nœud Art-Net™. Le Net-X peut seulement convertir (vers le DMX) ou fusionner des signaux Art-Net™ dans les 16 univers du sous-réseau dans lequel il est affecté. Pour les univers 0 à 15, affecter le sous-réseau 0. Pour les univers 16 à 31, affecter le sous-réseau 1. Pour les univers 32 à 47, affecter le sous-réseau 2, et ainsi de suite.

Pour définir l'adresse de sous-réseau, effectuez les actions suivantes :

1. Appuyez sur la touche **<MENU>** de manière répétée jusqu'à ce que l'affichage indique **<Subnet>**.
2. Appuyez sur **<ENTER>**. Le numéro affiché dans le coin inférieur droit de l'écran se met à clignoter.
3. Utilisez les touches **<UP>** ou **<DOWN>** pour sélectionner l'adresse de sous-réseau, de **0** à **15**.
4. Appuyez sur **<ENTER>**.

Configuration des adresses IP

Les adresses IP sont les adresses du Net-X sur le réseau. Elles doivent être configurées si le Net-X est utilisé en tant que nœud Ethernet.

En mode sACN, le numéro de départ peut être paramétré à **2**, **10** ou **239**.

En mode Art-Net™, le numéro de départ est paramétré par le paramètre Net.

Les trois autres numéros peuvent être paramétrés de **0** à **255**. Les adresses IP ne peuvent pas être identiques.

Pour configurer l'adresse IP, effectuez les actions suivantes :

1. Appuyez sur la touche **<MENU>** de manière répétée jusqu'à ce que l'affichage indique **<IP Address #X>**.
2. Appuyez sur la touche **<ENTER>** pour vous déplacer parmi les 3 ensembles de 3 chiffres dans n'importe laquelle des adresses jusqu'à ce que le numéro souhaité clignote sur l'affichage.
3. Appuyez sur **<UP>** ou **<DOWN>** pour changer ce groupe de chiffres.
4. Répétez les étapes 2 à 3 jusqu'à ce que l'adresse IP soit configurée comme souhaitée.
5. Appuyez sur **<MENU>**.

Configuration du paramètre Net pour Art-Net™

Le paramètre Net contrôle le début des adresses IP du Net-X en mode Art-Net™.

Pour configurer le paramètre de réseau, effectuez les actions suivantes :

1. Appuyez sur la touche **<MENU>** de manière répétée jusqu'à ce que l'affichage indique **<Net>**.
2. Appuyez sur **<ENTER>**. Le numéro affiché dans le coin inférieur droit de l'écran se met à clignoter.
3. Utilisez les boutons **<UP>** ou **<DOWN>** pour sélectionner une valeur parmi les suivantes :
 - **0**, pour paramétrer le début des adresses IP sur **2** ou
 - **1**, pour paramétrer le début des adresses IP sur **10**.

Remarque : **2** à **127** sont des valeurs réservées pour une utilisation future.

4. Appuyez sur **<ENTER>**.



ATTENTION : NE PAS définir le paramètre Net à des valeurs supérieures à 1. Ces valeurs sont réservées pour une utilisation future et n'ont aucune fonction.

Configuration des sorties DMX

Les ports de sortie DMX doivent être configurés pour accepter un signal depuis l'un des ports d'entrée DMX ou depuis la source Ethernet. Si le port DMX n'est pas utilisé, il doit être éteint. La structure du menu représente chaque port de sortie DMX en tant que **<DMX Output #X>**, où **X** est le numéro du port de sortie DMX.

Pour configurer les ports de sortie DMX, effectuez les actions suivantes :

1. Sélectionnez le port de sortie DMX à configurer en appuyant sur **<MENU>** de manière répétée jusqu'à ce que l'affichage indique **<DMX Output #X>**.
2. Appuyez sur **<ENTER>**. La phrase affichée dans le coin inférieur droit de l'écran se met à clignoter.
3. Utilisez les boutons **<UP>** ou **<DOWN>** pour sélectionner au choix **DMX #1 Input** (entrée DMX 1), **DMX #2 Input** (entrée DMX 2), **ArtNet Input** (entrée ArtNet), **sACN Input** (entrée sACN) ou **Without Input** (sans entrée).
4. Appuyez sur **<ENTER>**.

Univers

Les univers sont affectés aux ports de sortie DMX lorsque le Net-X est utilisé en tant qu'adaptateur Ethernet vers DMX. Les univers sont utilisés par le Net-X lorsque celui-ci reçoit un signal Ethernet et qu'il le convertit en DMX. La structure du menu représente l'univers de chaque port de sortie DMX en tant que **<Universe #X>**, où **X** est le port de sortie DMX correspondant. N'importe quel des univers peut être affecté à plus d'un port de sortie DMX.

Univers Art-Net™

En mode Art-Net™, il existe 256 univers (univers 0 à 15 pour chaque sous-réseau de 0 à 15) qui peuvent être affectés aux ports de sortie DMX. Les univers Art-Net™ peuvent être affectés en sélectionnant un groupe de sous-réseau et une valeur entre **0** et **15** au sein de ce groupe.

Pour affecter un univers Art-Net™ à un port de sortie DMX, effectuez les actions suivantes :

1. Paramétrez l'adresse de sous-réseau (voir [Adresse de sous-réseau Art-Net™](#)).
2. Sélectionnez le port de sortie DMX auquel affecter un univers Art-Net™ en appuyant sur **<MENU>** de manière répétée jusqu'à ce que l'affichage indique **<Universe #X>**.
3. Appuyez sur **<ENTER>**. Le numéro affiché dans le coin inférieur droit de l'écran se met à clignoter.
4. Utilisez les touches **<UP>** ou **<DOWN>** pour sélectionner l'univers Art-Net™ souhaité, de **0** à **15**.
5. Appuyez sur **<ENTER>**.

Univers sACN

En mode sACN, il existe 255 univers (de 1 à 255) qui peuvent être affectés aux ports de sortie DMX. Les univers sACN peuvent être affectés en sélectionnant une valeur entre 1 et 255.

Pour affecter un univers sACN à un port de sortie DMX, effectuez les actions suivantes :

1. Sélectionnez le port de sortie DMX auquel affecter un univers sACN en appuyant sur **<MENU>** de manière répétée jusqu'à ce que l'affichage indique **<Universe #X>**.
2. Appuyez sur **<ENTER>**. Le numéro affiché dans le coin inférieur droit de l'écran se met à clignoter.
3. Utilisez les touches **<UP>** ou **<DOWN>** pour sélectionner l'univers sACN souhaité, de **1** à **255**.
4. Appuyez sur **<ENTER>**.

Fusion de signaux

Le Net-X est capable de fusionner deux signaux du même protocole en un seul en utilisant les logiques HTP (le plus élevé prend le dessus) ou LTP (le dernier prend le dessus).

Avec la logique HTP, seule la valeur la plus élevée de n'importe quelle fonction ou canal sera incluse dans le signal fusionné. Si le signal A dispose d'une valeur de 100 sur le canal 2 mais que le signal B a une valeur de 200 sur le canal 2, le signal fusionné aura une valeur de 200 sur le canal 2.

Avec la logique LTP, seule la plus récente valeur modifiée de n'importe quelle fonction ou canal sera incluse dans le signal fusionné. Si le signal A dispose d'une valeur de 255 sur le canal 1 mais que le signal B est modifié avec une valeur de 075 sur le canal 1, le signal fusionné contiendra cette modification. La valeur modifiée en dernier est toujours celle incluse dans le signal fusionné.

Pour configurer la fusion de signal, suivez les instructions ci-dessous :

1. Appuyez de manière répétée sur la touche **<MENU>** jusqu'à ce que l'affichage indique **Net Merge** (fusion de signal Ethernet).
2. Appuyez sur **<ENTER>**.
3. Utilisez les touches **<UP>** ou **<DOWN>** pour sélectionner parmi les choix **HTP** (le plus élevé prend le dessus), **LTP** (le dernier prend le dessus) ou **OFF** (pour désactiver la fusion de signal).
4. Appuyez sur **<ENTER>**.

- **Le Net-X ne peut fusionner des signaux qu'en provenance de deux contrôleurs au maximum à la fois.**
- **Le Net-X ne peut pas fusionner deux signaux de protocoles différents.**
- **Les signaux Ethernet doivent être dans le même univers afin de pouvoir être fusionnés.**
- **Les signaux sACN doivent être de la même priorité afin de pouvoir être fusionnés.**



Indicateurs

Les trois indicateurs LED situés à l'avant du Net-X, à côté de l'écran, indiquent la mise sous tension, un signal DMX ou ethernet. Le tableau ci-dessous indique les différents états des indicateurs et leur signification.

Indicateur	État	Signification
ALIMENTATION	Rouge fixe	Le Net-X est sous tension
	Arrêt	Éteint
SIGNAL	Rouge clignotent rapidement	Un signal ethernet arrive au Net-X
	Clignotent lentement	Aucun signal ethernet n'arrive au Net-X
DMX	Rouge clignotent rapidement	Un signal DMX arrive au Net-X
	Clignotent lentement	Aucun signal DMX n'arrive au Net-X



Alors que Net-X est sous tension, les indicateurs Signal et DMX clignotent lentement lorsque rien est branché dans leurs ports. Ces indicateurs clignotent rapidement après les connexions des câbles sont fabriqués et les signaux ethernet et DMX sont reçus par Net-X.

Exemples de configurations

Le Net-X est extrêmement polyvalent grâce aux possibilités de sources DMX et Ethernet qui peuvent être combinées de sorte que le Net-X peut faire simultanément office de répartiteur DMX, d'adaptateur Ethernet vers DMX et de nœud Ethernet.

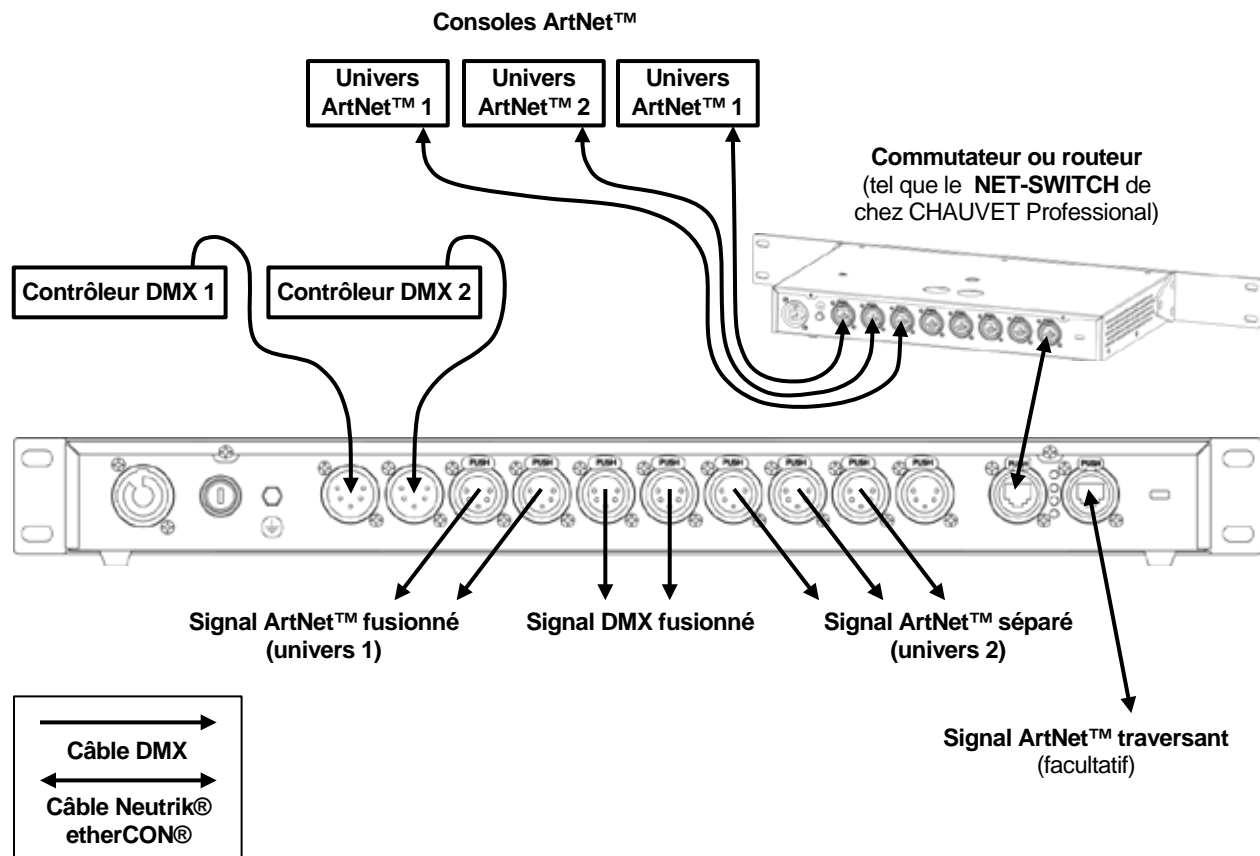
Configuration exemple 1 : Sources Art-Net™ et DMX

Cet exemple montre une manière de configurer le Net-X afin de fusionner deux signaux Art-Net™ en HTP, fusionner deux signaux DMX en LTP, générer les deux signaux ainsi qu'un autre signal Art-Net™ sur chaque port de sortie DMX. Les numéros utilisés dans cet exemple sont à des fins de démonstration. Ils ne représentent qu'une possibilité de configuration parmi des milliers.

Configurez tout d'abord deux contrôleurs Art-Net™ pour générer des signaux sur le réseau 0, sous-réseau 0, univers 1 et un troisième contrôleur Art-Net™ pour générer un signal sur le réseau 0, sous-réseau 0, univers 2. Effectuez ensuite les actions suivantes :

1. Paramétrez le protocole Ethernet du Net-X sur **Artnet**. (voir [Configuration Ethernet](#))
2. Définissez le paramètre **Net** à la valeur **0**.
(voir [Configuration du paramètre Net pour Art-Net™](#))
3. Paramétrez l'adresse de sous-réseau **Subnet** sur **0**.
(voir [Adresse de sous-réseau Art-Net™](#))
4. Paramétrez **IP Address #1** sur **2.255.255.001** et **IP Address #2** sur **2.255.255.002**.
(voir [Configuration des adresses IP](#))
5. Paramétrez **Net Mode** sur **HTP** et **DMX Mode** sur **LTP**. (voir [Fusion de signaux](#))
6. Paramétrez **Universe #1** et **#2** à la valeur **1**, et **Universe #5, #6** et **#7** à la valeur **2**.
(voir [Univers Art-Net™](#).)
7. Paramétrez **DMX Output #1, #2, #5, #6** et **#7** sur **ArtNet Input**, **DMX Output #3** et **#4** sur **DMX #1 Input** et **DMX Output #8** sur **Without Input**. (voir [Configuration des sorties DMX](#))
8. Branchez tous les câbles d'entrée et de sortie tel que montré sur le [Schéma exemple 1](#).

Schéma exemple 1



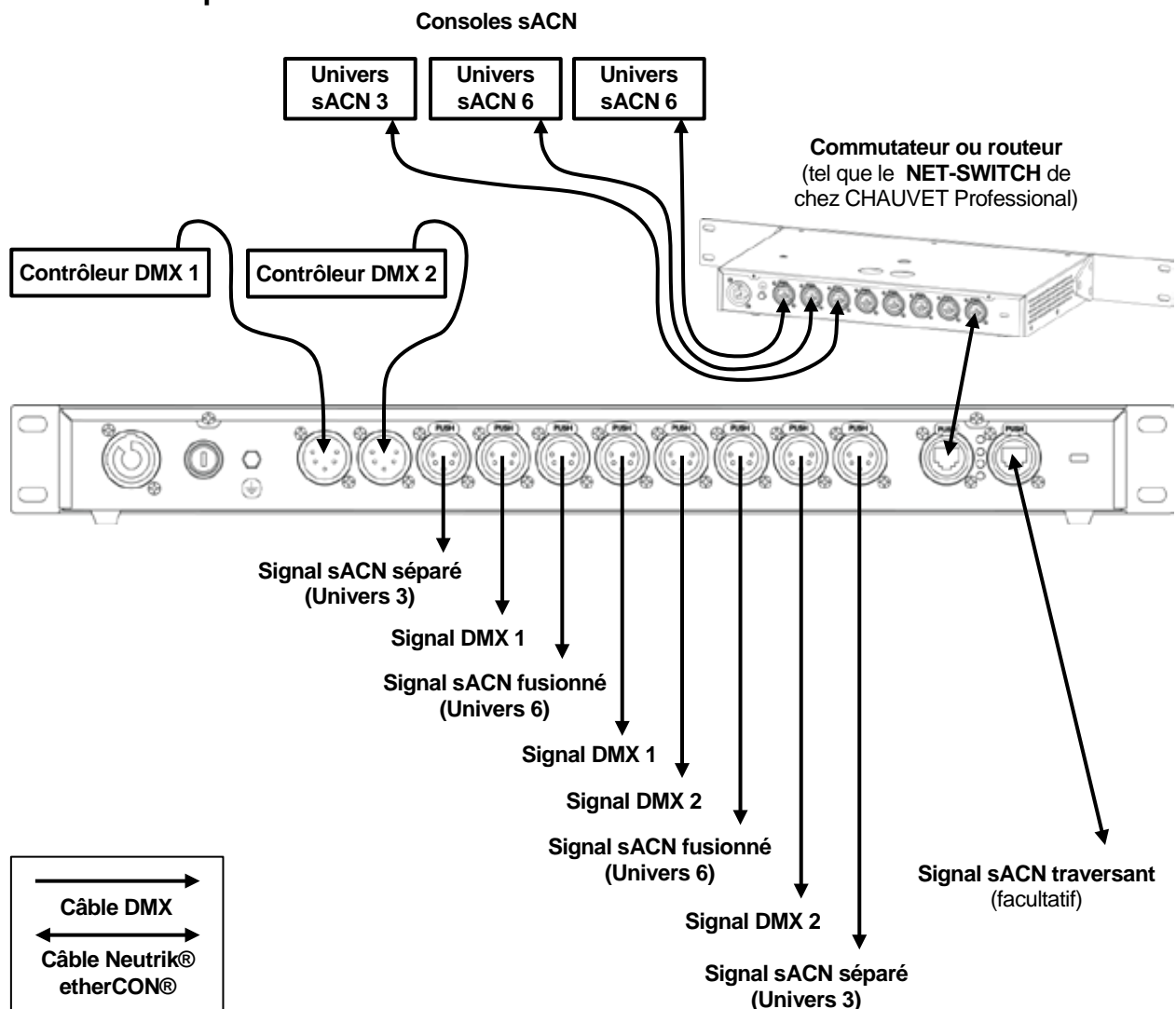
Configuration exemple 2 : sources sACN et DMX

Cet exemple montre comment configurer le Net-X afin de fusionner deux signaux sACN en LTP, séparer deux signaux DMX distincts et générer ces signaux ainsi qu'un autre signal sACN sur plusieurs ports de sortie DMX distincts. Les numéros utilisés dans cet exemple sont à des fins de démonstration. Ils ne représentent qu'une possibilité de configuration parmi des milliers.

Configurez tout d'abord deux contrôleurs sACN pour générer des signaux de priorité identique sur l'univers 6 et un troisième contrôleur sACN pour générer un signal sur l'univers 3. Effectuez ensuite les actions suivantes :

1. Paramétrez le protocole Ethernet du Net-X sur **sACN**. (voir [Configuration Ethernet](#))
2. Paramétrez **IP Address #1** sur **239.255.255.003** et **IP Address #2** sur **239.255.255.006**. (voir [Configuration des adresses IP](#))
3. Paramétrez **Net Mode** sur **LTP** et **DMX Mode** sur **OFF**. (voir [Fusion de signaux](#))
4. Paramétrez **Universe #1** et **#8** à la valeur 3, et **Universe #3** et **#6** à la valeur 6. (voir [Univers sACN.](#))
5. Paramétrez **DMX Output #1, #3, #6** et **#8** sur **sACN Input**, **DMX Output #2** et **#4** sur **DMX #1 Input** et **DMX Output #5** et **#7** sur **DMX #2 Input**. (voir [Configuration des sorties DMX](#))
6. Branchez tous les câbles d'entrée et de sortie tel que montré sur le [Schéma exemple 2](#).

Schéma exemple 2



5. Informations Techniques

Entretien

Pour une performance optimale et une usure minimisée, cet appareil doit être nettoyé régulièrement. Les conditions environnementales et d'utilisation peuvent exiger un nettoyage plus fréquent.

En règle générale, vous devez nettoyer l'appareil au moins deux fois par mois.

L'accumulation de poussière réduit la sortie de lumière et peut entraîner une surchauffe de l'appareil. La vie des sources lumineuses s'en trouve réduite et l'usure mécanique accrue.

Pour nettoyer votre Net-X, effectuez les actions suivantes:

1. Débranchez l'appareil.
2. Attendez que l'appareil soit à la température ambiante.
3. Utilisez un aspirateur (ou un compresseur d'air) et une brosse douce pour enlever la poussière accumulée sur les ventilations externes.
4. Nettoyez avec précaution toutes les surfaces externes en utilisant une solution de nettoyant sans ammoniaque ou utilisez l'alcool isopropylique.
5. Appliquez la solution directement sur un chiffon de coton doux et non pelucheux ou un tissu de nettoyage d'objectif.
6. Assurez-vous que toutes les connexions sont complètement sec avant de rebrancher les câbles d'alimentation.
 - Assurez-vous que l'environnement autour du Net-X sois tenu à l'écart des poussières et de la saleté et de l'eau, et évitez les températures extrêmes.
 - Insérez et retirez les câbles DMX et Neutrik® etherCON® lentement et avec précaution.
 - Installez le Net-X au dessus d'une pile d'équipement ou bien montez le en rack.
 - Éteignez le Net-X lorsqu'il n'est pas utilisé.



Assurez-vous de bien sécher toutes les surfaces externes après les avoir nettoyé.

6. Spécificités Techniques

Dimensions et Poids

Longueur	Largeur	Hauteur	Poids
483 mm (19 po)	168 mm (6,6 po)	45 mm (1,8 po)	2,0 kg (4,4 lb)

Alimentation

Source de Courant	Plage	Sélection de Tension
Commutation (interne)	entre 100 et 240 V CA, 50/60 Hz	Universelle

Paramètre	120 V, 60 Hz	208 V, 60 Hz	230 V, 50 Hz
Consommation	30 W	30 W	30 W
Courant de fonctionnement	0,25 A	0,14 A	0,13 A

Branchement Électrique	Entrée d'Alimentation
Prise Edison vers Neutrik® powerCON® (États-Unis /Canada) Prise local vers Neutrik® powerCON® (Reste du monde)	Neutrik® powerCON®

Connexions de Données

E/S	Type
Entrées de données	Neutrik® etherCON® (2 au total)
	XLR 5 broches (2 au total)
Sorties de données	XLR 5 broches (8 au total)
Propagation des données	Neutrik® etherCON® (2 au total)

Commande

Nom du Produit	Code de l'Article	Code UPC
Net-X	03080858	781462212063



Renvois

Pour retourner un produit ou faire une demande d'assistance :

- Si vous résidez aux États-Unis, contactez le siège mondial de Chauvet.
- Si vous résidez au Royaume-Uni ou en Irlande, contactez le siège européen de Chauvet.
- Si vous vivez au Mexique, contactez Chauvet Mexico.
- Si vous vivez au Benelux, contactez Chauvet Europe BVBA.

Si vous résidez n'importe où ailleurs, NE contactez pas Chauvet. Veuillez plutôt contacter votre revendeur local. Rendez-vous sur www.chauvetlighting.com pour découvrir la liste des revendeurs en dehors des États-Unis, de l'Irlande, du Mexique ou du Benelux.



Si vous résidez en dehors des États-Unis, du Royaume-Uni, de l'Irlande, du Mexique ou du Benelux, contactez votre revendeur et suivez ses instructions quant à la procédure à suivre pour renvoyer votre appareil. Consultez notre site Web pour en trouver les coordonnées.

Téléphonez au centre d'assistance technique de Chauvet correspondant et demandez un numéro d'autorisation de retour (NAR) avant de nous réexpédier l'appareil. Pour l'obtenir, il vous sera demandé de fournir le numéro du modèle, le numéro de série ainsi qu'une brève description de l'objet du retour.

Envoyez la marchandise en port prépayé, dans son conditionnement d'origine, avec son emballage et ses accessoires d'origine. Chauvet ne délivrera pas d'étiquettes de renvoi.

Indiquez lisiblement le NAR sur une étiquette apposée sur le colis. Chauvet refusera la réception de tout appareil pour lequel aucun NAR n'a été demandé.



Inscrivez le NAR sur une étiquette convenablement collée. N'écrivez PAS le NAR directement sur le colis.

Avant de nous retourner le colis, inscrivez les informations suivantes, de manière lisible, sur une feuille de papier, que vous placerez à l'intérieur du colis:

- Votre nom
- Votre adresse
- Votre numéro de téléphone
- Le numéro de NAR
- Une courte description du problème

Veillez à emballer l'appareil de manière adéquate. Vous serez tenu responsable de tout dommage survenant lors de l'expédition de retour dû à un emballage inadéquat. Nous vous recommandons d'utiliser un emballage double ou celui de FedEx.



Chauvet se réserve le droit, à sa convenance, de réparer ou remplacer tout appareil qui lui est retourné.

Nous Contacter

ÉTATS-UNIS SIÈGE SOCIAL MONDIAL

Informations Générales – Chauvet

Adresse: 5200 NW 108th Avenue
Sunrise, FL 33351

Téléphone: (954) 577-4455

Télécopie: (954) 929-5560

N° vert: (800) 762-1084

Support Technique

Téléphone: (844)393-7575

Télécopie: (954) 756-8015

Email: chauvetcs@chauvetlighting.com

Site Web www.chauvetlighting.com

EUROPE

Informations Générales - Chauvet Europe BVBA

Adresse: Stokstraat 18
9770 Kruishoutem
Belgium

Téléphone: +32 9 388 93 97

Support Technique

Email: Eutech@chauvetlighting.eu

Site Web www.chauvetlighting.eu

Informations Générales - Chauvet Europe Ltd.

Adresse: Unit 1C
Brookhill Road Industrial Estate
Pinxton, Nottingham, UK
NG16 6NT

Téléphone: +44 (0)1773 511115

Télécopie: +44 (0)1773 511110

Support Technique

Email: uktech@chauvetlighting.com

Site Web www.chauvetlighting.co.uk

MEXIQUE

Informations Générales - Chauvet Mexico

Adresse: Av. de las Partidas 34-3B, Zona
Industrial Lerma
Lerma, Edo. de Mexico C.P. 52000

Téléphone: +52 (728) 285-5000

Support Technique

Email: servicio@chauvet.com.mx

Site Web www.chauvet.com.mx

En dehors des États-Unis, du Royaume-Uni, de l'Irlande, Mexique, ou du Benelux contactez votre revendeur. Suivez leurs instructions pour accéder à l'assistance ou pour renvoyer un produit. Consultez notre site web pour les coordonnées.