

# JUNO SERIES

## USER MANUAL

JN-6T / JN-6TW  
JN-8T / JN-8TW



Lynx Pro Audio S.L.

V.20.11 Valencia, Spain - [www.lynxproaudio.com](http://www.lynxproaudio.com) - [info@lynxproaudio.com](mailto:info@lynxproaudio.com)

## CONTENTS

.....

• INTRODUCTION	3
• SAFETY PRECAUTIONS	4
• CABINET CONNECTIONS	5
• TROUBLESHOOTING	6
• JN-6T DATASHEET	7
• JN-8T DATASHEET	9
• LYNX PRO AUDIO GUARANTEE	11
• DECLARATION OF CONFORMITY	12

## INTRODUCTION

To facilitate the correct and reliable use of the Juno cabinets we have designed this instruction manual, please read it before proceeding to install the cabinet.

Please observe the technical data carefully and do not ignore the instructions included within this manual.

The Juno Series are weather-resistant, two-way full range loudspeakers. The Juno series comprises one 6" low/mid-woofer with one 1" HF driver (JN-6T) and one 8" low/mid-woofer with one 1" HF driver (JN-8T), both with line transformer as standard.

High durability and superior performance with full sound over a large listening area. These cabinets have a sturdy structure and IP rated system which can be used both indoors and outdoors, being able to withstand the elements. Also, their elegant and discreet design make them the ideal speaker for outdoor installations such as beach clubs, pools, cruise ships and terraces.

Juno series can be set up either vertically or horizontally. The body is made of engineered plastic injection moulding and polypropylene guaranteeing complete protection against ultraviolet rays. The grille is perforated aluminium, internally covered in waterproof fabric and open cell expanded polyurethane.

The system conforms to IP46 international standard. JN-6T and JN8T cabinets are equipped with multitap transformer.

## UNPACKING

Juno Series are built under quality supervision of Lynx Pro Audio, according to the highest standards. When unpacking your cabinets, carefully examine it for any signs of possible transit damage and inform your dealer immediately if any such damage has occurred.

It is suggested that you retain the original packaging so that the cabinet can be repacked in the future if necessary. Please note that Lynx Pro audio and its authorized distributors cannot accept any responsibility for damage to any returned product through the use of non-approved packaging.

## SAFETY PRECAUTIONS

Before starting to use this device, please read this instruction manual carefully. Keep these instructions in the place where the equipment will be used and with easy access to them.



- **Hearing damage risk**

These systems can reproduce large quantities of sound pressure which can damage hearing. Take precautions if you are going to be near them for extended amounts of time and do not get too close.



- **Hanging / Flying**

Do not hang the cabinets from the handles or from any other part other than the designated hanging point. When flying this system please observe the technical and “Rainbow” software data carefully. Never exceed the maximum safe working loads or ignore the instructions included within this manual. Use Only flying accessories provided by Lynx Pro Audio S.L. Rigging must be always carried out by professionals.



- **Delicate Material**

Please ensure no foreign object or water enters the speaker. Only clean the unit with dry cloths. Do not use solvents.



- **Overheating / Fire risk**

To reduce the risk of the speaker over heating, avoid direct contact with sunlight. Avoid placing the unit close to heat inducing objects such as radiators. Do not cover the equipment in use and do not block any ventilation openings. Do not put naked flame, such as lighted candles, close or on top of the unit.



- **Electromagnetic and interferente emissions**

Avoid placing objects which through electromagnetic waves can damage the unit, such as mobile phones, lap tops, magnetic strip cards etc.

This system complies with normatives EN 55103-1 (1)

EN 55103-2 (2)

(1) This device may not cause harmful interferences.

(2) This device may receive interference including interferences that may cause undesired working.

- **IMPORTANT NOTE**

This Equipment must be used in accordance with these instructions and by trained professional personnel only. This equipment should not be used in places with extreme tropical climates. Don't expose this apparatus to extreme humidity and or temperature values.

## RIGGING AND SUSPENSION SAFETY PRECAUTIONS

Before rigging or suspending Juno series cabinets, inspect all components and all hardware for any signs of damaged or missing parts. If you find any damaged, corroded or deformed parts, do not use them, replace them immediately.

Use only the recommended Lynx Pro Audio wall brackets. Doing otherwise may cause the element to fall off, resulting in personal injury and/or property damage.

Use nuts and bolts that are appropriate for the wall's materials and structure.

## CABINET CONNECTIONS

- **Normative**

The Juno cabinets meet the following standards:

EN 55032:2012 Electromagnetic compatibility of multimedia equipment. Emission requirements.

EN 55103-2:2009 Electromagnetic compatibility. Product family standard for audio, video, audiovisual and entertainment lighting control apparatus for professional use. Part 2: Immunity.

EN 60065:2014 Audio, video and similar electronic apparatus. Safety requirements.

EN 50581:2012 Technical documentation for the assessment of electrical and electronic products with respect to the restriction of hazardous substances

- **Connections:**

The Juno Series speakers are equipped with a 4-positions Phoenix connector located on the back plate. The first two pins correspond to IN- / IN+, and the last two pins are Link- / Link+, internally linked to the input sockets.

To connect the speaker, firstly unscrew the two silver screws and remove the plug. Screw the wires to the plug and re-attach it to the speaker.

The screw connector provides a faster and easier way to wire the system allowing the speaker to perfectly fit the wall shape while keeps invisible.

- **100V Tap Selector:**

Every speaker from Juno Series is equipped with a multi-tap 100V transformer. There is a rotary selector placed on the back panel, near the connections plug.

On this section the user can find five different switch positions according to the pretended 100V power and impedance needed.

The first three positions are related to 100V, the fourth position shuts the speaker OFF - no sound will come from the speaker - the last position is meant to be used on low impedance operation (16 Ω).

To change the switch position a flat screwdriver is recommended.



On the Juno-6T, the available power taps are 20W, 40W and 80W.  
On the Juno-8T, the available power taps are 37.5W, 75W and 150W.

- **Back Cover:**

Before exposing the speaker to rain or highly humid environments, please make sure that back cover is correctly installed and the cable gland is firmly screwed on. Adjust the power tap before applying the back cover.



## TROUBLESHOOTING

Simple troubleshooting does not require sophisticated measurement equipment and can be easily undertaken by users. The technique should be to segment the system in order to identify the faulty system component. A simple sweep with a sine generator can be very helpful though it MUST be made at a fairly low level to prevent damage to the speakers.

A sine wave sweep can help find:

Vibrations due to loose screws.

Air-leak noises: check that no screws are missing, particularly where the accessories attach to the cabinet.

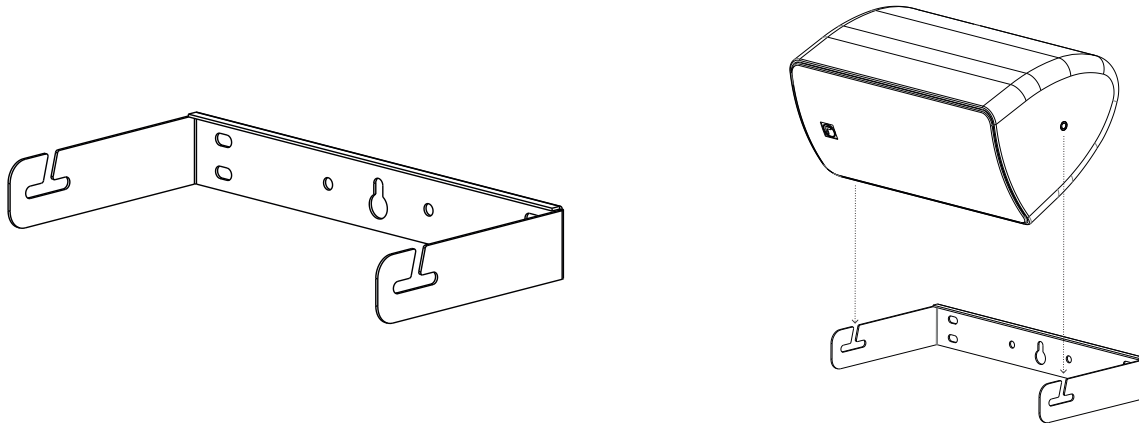
Vibrations due to front grille badly positioned on the quick release fixings.

Foreign object that has fallen into the cabinet after repair or through the ports.

Internal connection wires or absorbing material touching the loudspeaker diaphragm.

## BRACKET INSTALLATION

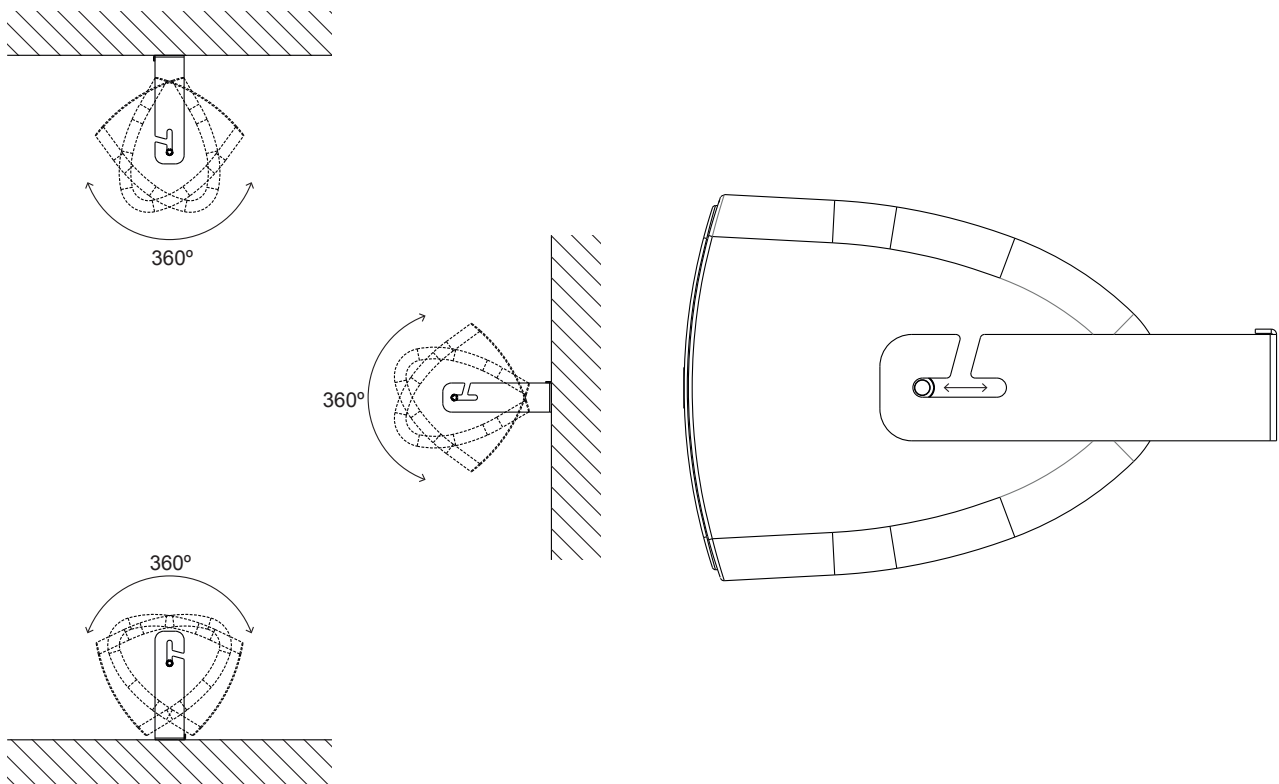
Each Juno cabinet comes with its bracket. This bracket is a U type steel piece with 2 fixing screws (1 per side) in order to fix it to the cabinet.



How to use it? The first thing to do is to fix the U bracket in the place required (ceiling, wall, floor, etc).

Always check the suspension point is secure and free of excess weight, vibration, etc. And be careful where the cabinets are suspended from. If everything is correct then you can fix the U bracket (without the cabinet). It is very important to ensure that the bracket is strongly fixed. Please always check it. Never place the safety of personnel at risk. If the U bracket is strongly fixed then you can hold the cabinet.

When the cabinet is in the desired position then tighten the screws (1 per side) and the cabinet will be correctly installed.



**JN-6T DATASHEET**

## • JN-6T

Weather resistant two-way full range loudspeaker.  
Consists of one 6" low/mid-woofer with one 1" HF driver, with a multitap transformer.  
116dB SPL.

## • Technical Data:

Frequency response(-3dB):	60 Hz - 18 KHz
Frequency response (-10dB):	55 Hz - 20 KHz
Drivers:	1×6" (150 mm) / 1.5" voice coil LF 1×1" (25 mm) / 1" voice coil HF
Rated power:	80W
Transformer taps:	100 V: 20W / 40W / 80W
Sensitivity:	89 dB 1w/1m
Maximum SPL:	110 dB / 116 dB peak
Impedance:	16 Ω nominal
Dispersion (-6 dB):	90° x 60°
Crossover frequencies:	2.4 KHz passive
Input connectors:	Covered barrier strip terminals
Package size:	524 x 242 x 417 mm (1 pair)
Net weight:	12 Kg / pair
Gross weight:	16 Kg / pair



## JN-6T DATASHEET

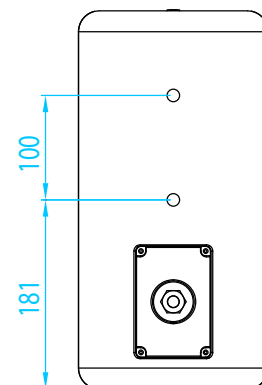
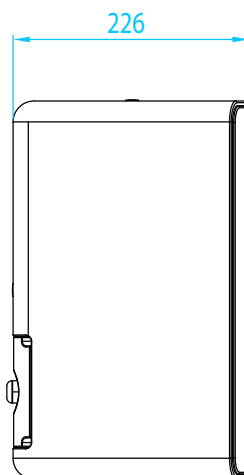
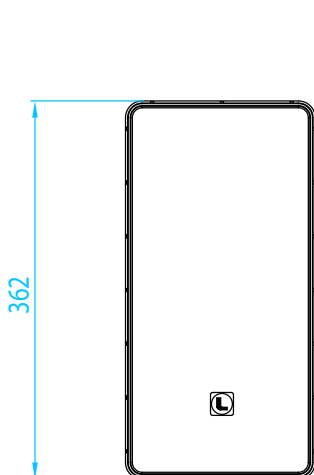
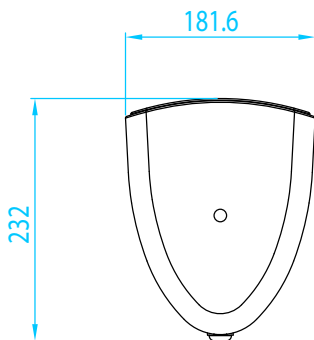
- Key features

- Indoor or outdoor application
- Weather resistant - IP46 rating
- Tested to withstand rain and salt
- Engineering plastic injection molding
- UV rays protection
- Vertical and horizontal installation
- Internal waterproof fabric
- Available in black or white colour

- Perfectly suited for:

- Meeting rooms
- Commercial centers
- Waterparks & pools
- Outdoor background music
- Beach clubs
- Cruise ships

- Dimensions:



**JN-8T DATASHEET**

## • JN-8T

Weather resistant two-way full range loudspeaker.  
Consists of one 8" low/mid-woofer with one 1" HF driver, with a multitap transformer.  
122 dB SPL.

• **Technical Data:**

Frequency response(-3dB):	60 Hz - 18 KHz
Frequency response (-10dB):	55 Hz - 20 KHz
Drivers:	1×8" (200 mm) / 2" voice coil LF 1×1" (25 mm) / 1" voice coil HF
Rated power:	150 W
Transformer taps:	100 V: 37.5W / 75W / 150W
Sensitivity:	94 dB 1w/1m
Maximum SPL:	116 dB / 122 dB peak
Impedance:	16 Ω nominal
Dispersion (-6 dB):	90° x 50°
Crossover frequencies:	2.3 KHz passive
Input connectors:	Covered barrier strip terminals
Package size:	370 x 310 x 525 mm
Net weight:	10 Kg / pc
Gross weight:	12 Kg / pc

## JN-8T DATASHEET

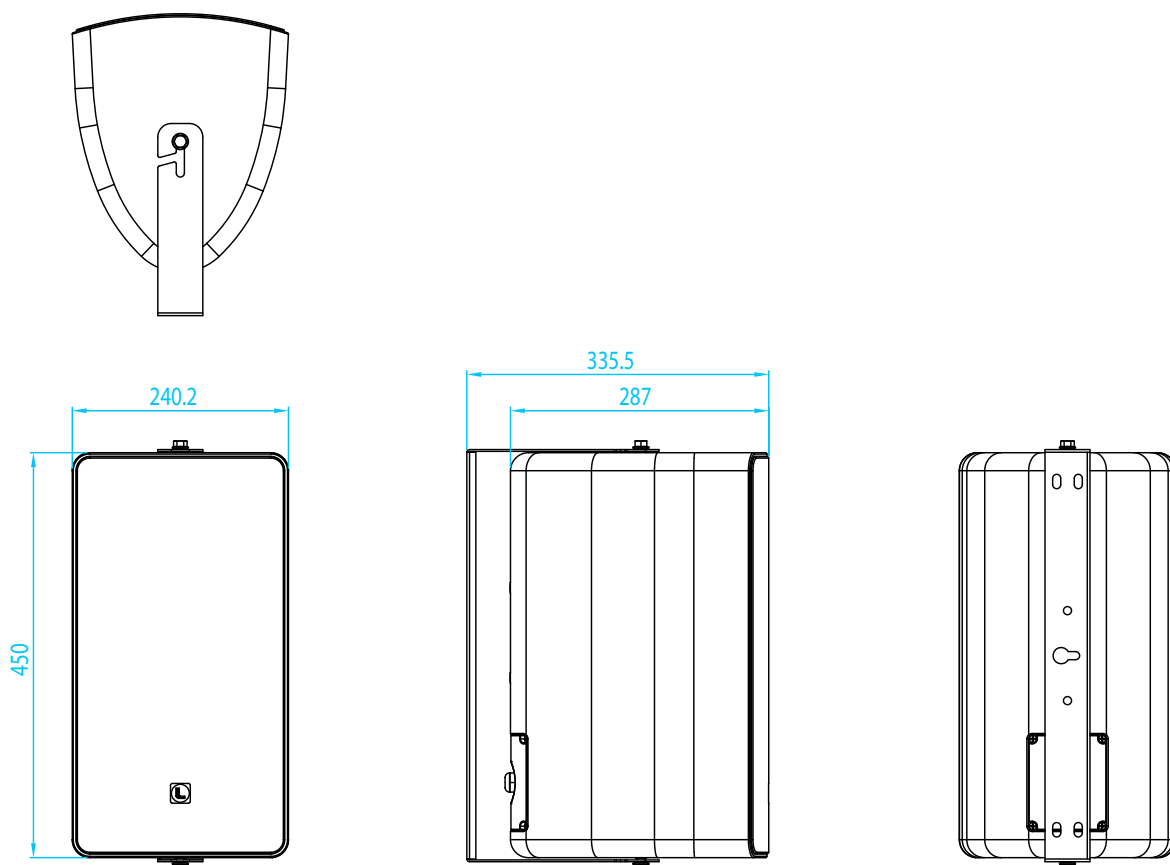
- Key features

- Indoor or outdoor application
- Weather resistant - IP46 rating
- Tested to withstand rain and salt
- Engineering plastic injection molding
- UV rays protection
- Vertical and horizontal installation
- Internal waterproof fabric
- Available in black or white colour

- Perfectly suited for:

- Meeting rooms
- Commercial centers
- Waterparks & pools
- Outdoor background music
- Beach clubs
- Cruise ships

- Dimensions:



## LYNX PRO AUDIO GUARANTEE

Lynx products are guaranteed against every kind of manufacturing fault 2 year after the date of sale. When products are under guarantee, the repairing and the free supplying of the device parts in order to correct any kind of defect are guaranteed by Lynx Pro Audio S.L. In the case that the product could not be returned to the factory for checking and repairing, Lynx Pro Audio S.L. would supply all the necessary parts.

Lynx Pro Audio S.L. is not responsible for any damage or defect caused during the transport or caused by an undue or improper handling by a non-authorized person during the life of this guarantee.

All our products undergo rigorous tests and quality controls. We guarantee the characteristics described here within and their quality against any fabrication defect.

The user loses all warranty rights if he incorporates or carries out any modification to the product, if he uses it outside of the stated safe working loads or does not secure the system properly using all the pins in their corresponding holes.

For any question regarding the product, the user must quote the model and serial number.

**WEEE Declaration:** Electrical and electronic equipment must be disposed of separately from normal waste at the end of its operational lifetime. Please dispose of this product according to the respective national regulations or contractual agreements. If there are any further questions concerning the disposal of this product please contact Lynx Pro Audio S.L.



## DECLARATION OF CONFORMITY

Lynx Pro Audio S.L.  
Calle 1 - Pol. Ind. Picassent  
46220 Picassent (Valencia)  
SPAIN - EU  
Tel.: (+34) 961 10 96 01  
[www.lynxproaudio.com](http://www.lynxproaudio.com)

Lynx Pro Audio S.L. declares that Juno series are in conformity with the following EC directives:

Low Voltage Directive	2014/35/UE
Electromagnetic Compatibility EMC	2014/30/UE
RoHS Directive	2011/65/UE
RAEE (WEEE)	2012/19/UE

In accordance with Harmonized European Norms:

- EN 60065:2014 Audio, video and similar electronic apparatus. Safety requirements.
- EN 55032:2012 Electromagnetic compatibility of multimedia equipment. Emission requirements.
- EN 55103-2:2009 Electromagnetic compatibility. Product family standard for audio, video, audiovisual and entertainment lighting control apparatus for professional use. Part 2: Immunity.
- EN 50581:2012 Technical documentation for the assessment of electrical and electronic products with respect to the restriction of hazardous substances.

Juno models: JN-6T/JN-6TW/JN-8T/JN-8TW

