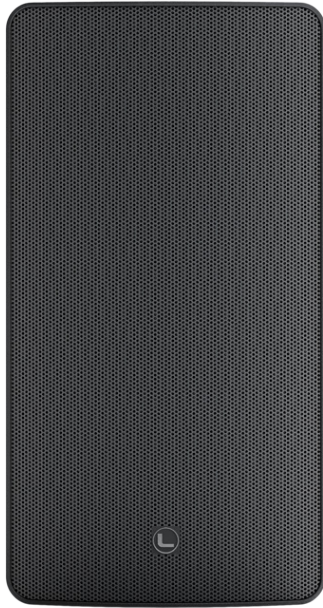


Weather resistant two-way full range loudspeaker. Consists of one 8" mid-woofer with one 1" HF driver, with a multitap transformer. 122 dB SPL.



### Key features

- Indoor or outdoor application
- Weather resistant IP46 rating
- Tested to withstand snow, rain and salt
- Engineering plastic injection molding
- UV rays protection
- Vertically and horizontally mounting
- Internal waterproof fabric
- Available in black or white colour

### Applications

- Meeting rooms
- Commercial centers
- Water parks & pools
- Outdoor background music
- Beach clubs
- Cruise ships

### General description & specifications

The Juno Series are weather-resistant, two-way full range loudspeakers. The JN-8T comprises one 8" mid-woofer with one 1" HF driver. JN-8T cabinet is equipped with a multitap transformer.

High durability and superior performance with full sound over a large listening area. These cabinets have a sturdy structure and IP rated system which can be used both indoors and outdoors, being able to withstand the elements. Also, their elegant and discreet design make them the ideal speaker for outdoor installations such as beach clubs, pools, cruise ships and terraces.

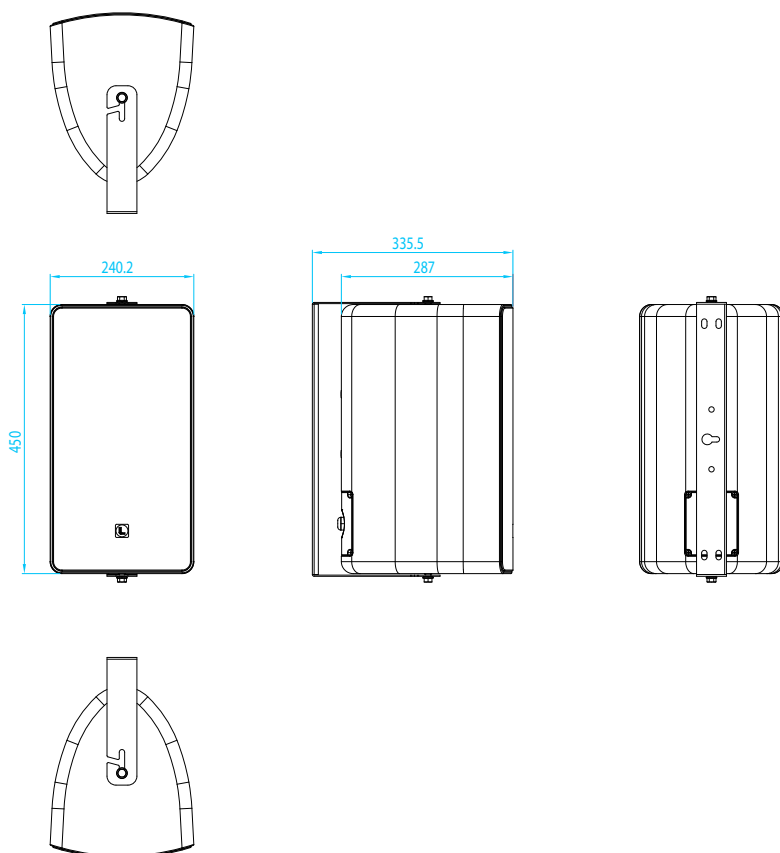
Juno series can be set up either vertically or horizontally. The body is made of engineered plastic injection moulding and polypropylene guarantees complete protection against ultraviolet rays. The grille is perforated aluminium, internally covered in waterproof fabric and open cell expanded polyurethane.

The system conforms to IP46 international standard.

### Technical Data

Frequency response (-3 dB)	60Hz- 18KHz
Frequency response (-10 dB)	55Hz-20KHz
Drivers	1×8"(200mm) / 2"voice coil LF 1×1"(25mm) / 1"voice coil HF
Rated power	37.5W / 75W / 150W / OFF / 16Ω
Sensitivity	94 dB 1w/1 m
Max SPL	116 dB / 122 dB peak
Impedance	16 Ω nominal
Dispersion (-6 dB)	90°×60°
Crossover frequencies	2.3 kHz passive
Input connectors	covered barrier strip terminals
Package size	370×310×525mm
Net weight	10 kg/pc
Gross weight	12 kg/pair

## Dimensional Drawing



## Accessories

U Bracket with stainless steel screws, silicone washers and safety cable



Plastic cover with gland connector and euroblock input connector

