

Compact, two-way passive cabinet. Consists of a 12" (3" voice coil) LF transducer and a 1" HF driver mounted on a 90° x 60° rotatable horn



Key features

- Compact two-way passive cabinet
- Multi-angle enclosure
- 90° x 60° rotatable horn
- Screwless grille with protective acoustic textile
- Integrated ergonomic handle
- Hidden speakon connection
- Double top hat for pole mounting
- Multiple installation options, including stage monitor
- Polyurea coating

Applications

- Club & Bar installations
- Sound reinforcement
- Theatres
- Houses of worship
- Multi media spaces
- Public address

General description & specifications

The BS-12 is a compact, two-way passive cabinet. Consists of a 12" (3" voice coil) LF transducer and a 1" HF driver mounted on a 90° x 60° rotatable horn offering a wide range of applications from fixed installations, frontfill and as a stage monitor.

The 12" driver offers high power handling and high sensitivity with low harmonic distortion and linear response. The cone is waterproof and has been treated on both sides. The ultra compact 1" HF driver achieves high sensitivity, with exceptional dynamic range creating remarkable depth and definition.

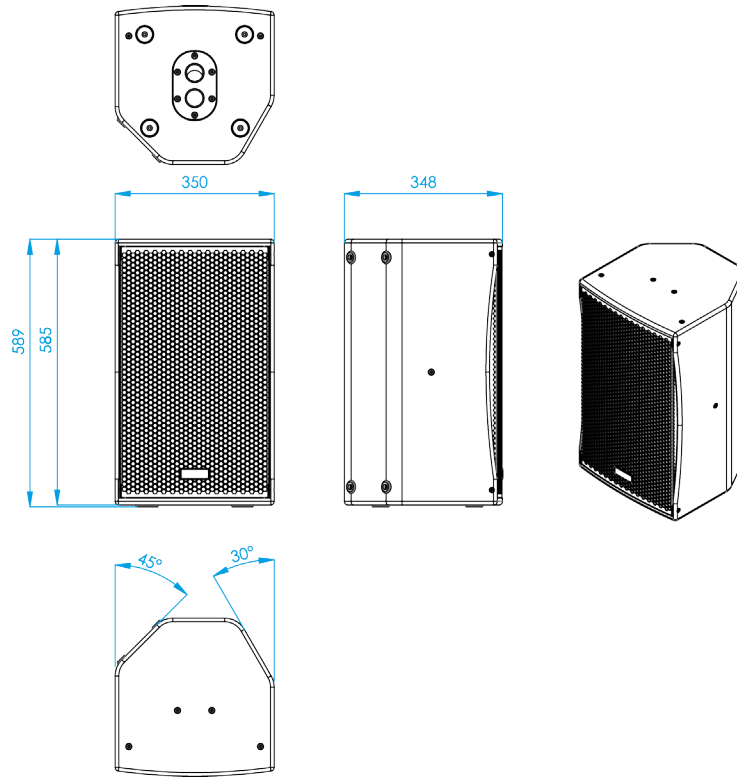
The cabinet can be complemented by the BS-112 or BS-118 subwoofers and offers tremendous sound and clarity over medium distances. Constructed from premium birch plywood and coated in high resistant polyurea paint. The enclosure also offers a screw free grille together with a number of dedicated accessories. Although the BS-12 can be used without a processor we recommend that the cabinet presets are applied for maximum optimization and performance.

Technical Data

Components	LF: 12" speaker, 3" (75 mm) copper wire voice coil, Waterproof cone with treatment on both sides HF: 1" exit throat, (25,4 mm) voice coil, annular diaphragm driver
Frequency Range	60 Hz - 20 KHz (± 3dB)
Sensitivity	96 dB
Max SPL / Peak*	122 dB / 128 dB
Rated Power (AES)	400W AES (800W program, 1600W peak)
Dispersion	90° x 60° rotatable
Nominal Impedance	8 Ω
Connectors	2 X NEUTRIK Speakon NL4 Pin connections: +1 / -1 input +1 / -1 link
Finish	Polyurea coating
Material	15 mm premium birch plywood
Dimensions	589 x 350 x 348 mm (H x W x D)
Weight	19 Kg (41.8 lbs)
Fittings	5 x M8, double pole-mount with 10° angle, ergonomic handle on the back position
Accessories	U bracket horizontal & vertical, M8 eyebolts, wall bracket
Enclosure type	Multi angle enclosure

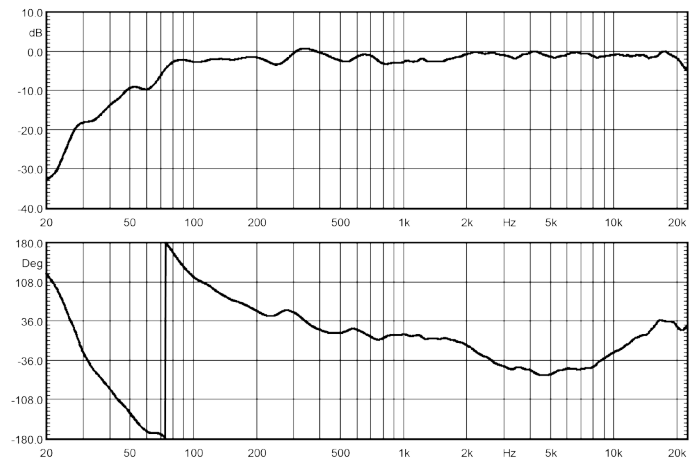
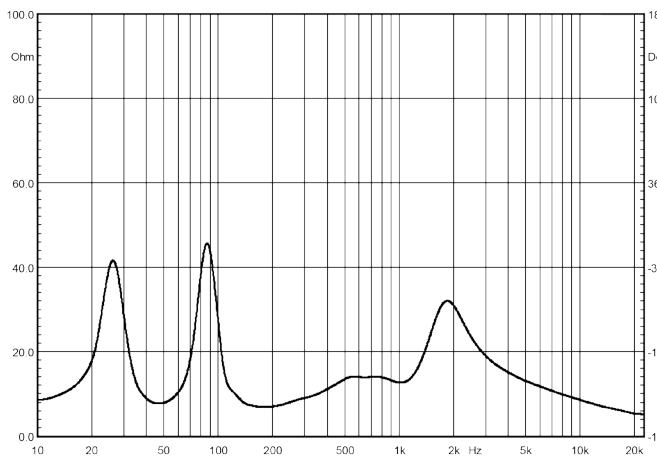
* Calculated maximum SPL based on rated peak power and measured sensitivity

Dimensional Drawing



Impedance Response

Frequency / Phase Response



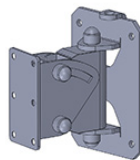
Hardware & Accessories



AGR-8
M8 Eyebolt



UBR-BS12
U bracket



WB-20
Wall bracket



TU-C02
M20 pole support for combination between sub and satellite cabinet

Model BS-12 Optimizer Preset

This document contains the filter values for the model BS-12 speaker.

NUMBER FILTER	TYPE OF FILTER	FREQ Hz	Q	GAIN dB
1	Parametric Q Adap	660	5	-3
2	Parametric Q Adap	63	2.4	4
3				
4				
5				
6				
7				
8				
9				

CROSSOVER	TYPE	FREQ Hz	GAIN dB
LOW-PASS			
HIGH-PASS	Buttw	30	3° 18 dB/Oct

Note:

The preset is made with an amplifier from the RS series and an ARK processor. Using other products will not guarantee the same result and if the preset is incorrectly introduced it can affect the performance of the system and the reliability of the speaker.

Ensure the impedance of the loudspeaker and the maximum AES power is capable of supporting when adjusting the power limitation in the amplifier.

This can also lead to loss of warranty claims in case of damage.

CULTURE OF SOUND