

LEDJ

Aspect Exterior Feature Lights User Manual



Order codes:

3W Red - LEDJ385

3W Green - LEDJ387

3W Light Blue - LEDJ389

3W Amber - LEDJ391

3W Cool White - LEDJ393

3W Warm White - LEDJ395

3W Deep Blue - LEDJ397

9W Red - LEDJ386

9W Green - LEDJ388

9W Light Blue - LEDJ390

9W Amber - LEDJ392

9W Cool White - LEDJ394

9W Warm White - LEDJ396

9W Deep Blue - LEDJ398

WARNING

FOR YOUR OWN SAFETY, PLEASE READ THIS USER MANUAL CAREFULLY BEFORE YOUR INITIAL START-UP!

- Before your initial start-up, please make sure that there is no damage caused during transportation.
- Should there be any damage, consult your dealer and do not use the equipment.
- To maintain the equipment in good working condition and to ensure safe operation, it is necessary for the user to follow the safety instructions and warning notes written in this manual.
- Please note that damages caused by user modifications to this equipment are not subject to warranty.



IMPORTANT:

The manufacturer will not accept liability for any resulting damages caused by the non-observance of this manual or any unauthorised modification to the equipment.

- Never let the power cable come into contact with other cables. Handle the power cable and all mains voltage connections with particular caution!
- Never remove warning or informative labels from the unit.
- Do not open the equipment and do not modify the unit.
- Do not connect this equipment to a dimmer pack.
- Do not switch the equipment on and off in short intervals, as this will reduce the system's life.
- Do not expose to flammable sources, liquids or gases.
- Always disconnect the power from the mains when equipment is not in use or before cleaning! Only handle the power-cable by the plug. Never pull out the plug by pulling the power-cable.
- Make sure that the available mains supply voltage is 240V AC, 50Hz.
- Make sure that the power cable is never crimped or damaged. Check the equipment and the power cable periodically.
- If the equipment is dropped or damaged, disconnect the mains power supply immediately and have a qualified engineer inspect the equipment before operating again.
- If your product fails to function correctly, stop use immediately. Pack the unit securely (preferably in the original packing material), and return it to your Prolight dealer for service.
- Only use fuses of same type and rating.
- Repairs, servicing and power connection must only be carried out by a qualified technician. **THIS UNIT CONTAINS NO USER SERVICEABLE PARTS.**
- This lighting fixture is for professional use only - it is not designed for or suitable for household use. The product must be installed by a qualified technician in accordance with local territory regulations. The safety of the installation is the responsibility of the installer. The fixture presents risks of severe injury or death due to fire hazards, electric shock and falls.
- Warning! Risk Group 2 LED product according to EN 62471. Do not view the light output with optical instruments or any device that may concentrate the beam.
- **WARRANTY:** One year from date of purchase.

OPERATING DETERMINATIONS

If this equipment is operated in any other way, than those described in this manual, the product may suffer damage and the warranty becomes void. Incorrect operation may lead to danger e.g: short-circuit, burns and electric shocks etc.

Do not endanger your own safety and the safety of others!

Incorrect installation or use can cause serious damage to people and/or property.

Aspect Exterior Feature Lights

This stylish, compact feature light has 3 x 1W/3W LEDs that produce a bright beam of light to illuminate and highlight outdoor areas including gardens, paths, foliage and forecourts. This IP65 rated fixture comes in a die-cast alloy housing and has IP rated 0.75m power input/output linkable trailing connections to allow multiple units to be powered from a single cable run.



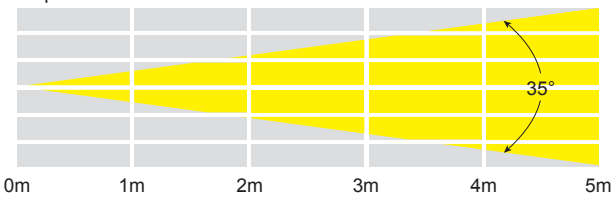
- 3 x 1W LEDs (3W Version)/
3 x 3W LEDs (9W Version)
- Beam angle: 35°
- IP rated 0.75m power input/output linkable trailing connections
- Convection cooled

35° - Lux - 3W Versions

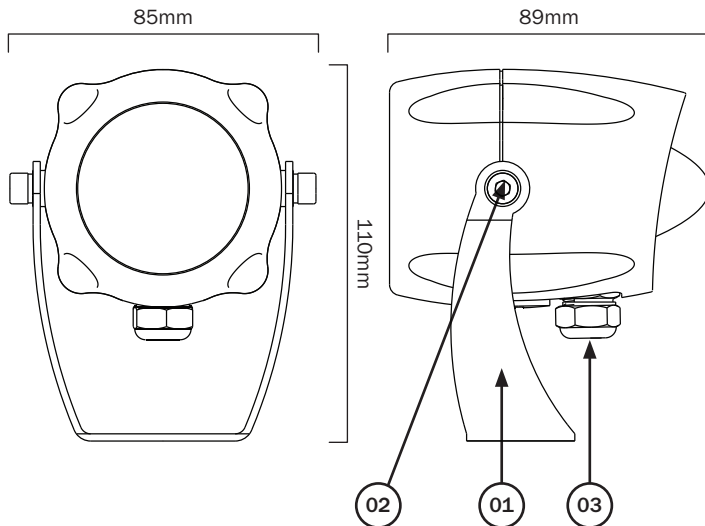
Red	320	80	35.6	20	12.8
Green	244	61	27.1	15.3	9.76
Light Blue	167	41.8	18.6	10.4	6.68
Amber	392	98	43.6	24.5	15.7
CW	492	123	54.7	30.8	19.7
WW	420	105	46.7	26.3	16.8
Deep Blue	40	10	4.44	2.5	1.6

35° - Lux - 9W Versions

Red	672	168	74.7	42	26.9
Green	344	86	38.2	21.5	13.8
Light Blue	337	84.3	37.4	21.1	13.5
Amber	800	200	88.9	50	32
CW	1020	254	113	63.5	40.6
WW	952	238	106	59.5	38.1
Deep Blue	84	21	9.33	5.25	3.36



Specifications	Aspect Exterior Feature Lights	
	3W Versions	9W Versions
Power consumption	4W	10W
Power supply	240V, 50Hz	
Dimensions	110 x 85 x 89mm	
Weight	0.5kg	
Order codes	LEDJ385 - 3W Red LEDJ387 - 3W Green LEDJ389 - 3W Light Blue LEDJ391 - 3W Amber LEDJ393 - 3W Cool White LEDJ395 - 3W Warm White LEDJ397 - 3W Deep Blue	LEDJ386 - 9W Red LEDJ388 - 9W Green LEDJ390 - 9W Light Blue LEDJ392 - 9W Amber LEDJ394 - 9W Cool White LEDJ396 - 9W Warm White LEDJ398 - 9W Deep Blue



In the box: 1 x fixture & 1 x user manual

- 01 - Bracket
- 02 - Bracket adjustment bolts
- 03 - IP rated 0.75m power input/output trailing connections

LEDJ 1m Exterior Power cable	LEDJ 2m Exterior Power cable	LEDJ 5m Exterior Power cable	LEDJ 10m Exterior Power cable	LEDJ 2m Exterior UK Power cable	LEDJ 1.5m Exterior Schuko Power cable
Order code: LEDJ146	Order code: LEDJ147	Order code: LEDJ148	Order code: LEDJ149	Order code: LEDJ145	Order code: LEDJ145A

Installation:

Installation must be completed by a qualified electrician in accordance with all recognised local and national electrical and construction regulations. Ensure the power is off during installation and the power cannot unexpectedly reconnected. This fixture is IP65 rated - suitable for indoor and outdoor use, i.e. gardens, entrances, garages, foliage and corridors. Not suitable for immersion. Do not cover the light source or heat sink.

To avoid damage do not carry or let the fixture hang by its wiring. Suitable to be mounted on a stable solid surface e.g. concrete, brick or wood. Connect to a suitable mains outlet using the IP rated 0.75m power input trailing connection.



WEEE notice



Correct Disposal of this Product (Waste Electrical & Electronic Equipment)



(Applicable in the European Union and other European countries with separate collection systems)

This marking shown on the product or its literature, indicates that it should not be disposed of with other household wastes at the end of its working life. To prevent possible harm to the environment or human health from uncontrolled waste disposal, please separate this from other types of wastes and recycle it responsibly to promote the sustainable reuse of material resources.

Household users should contact either the retailer where they purchased this product, or their local government office, for details of where and how they can take this item for environmentally safe recycling.

Business users should contact their supplier and check the terms and conditions of the purchase contract. This product should not be mixed with other commercial wastes for disposal.