

LEDJ

Event Spot Rapid RGBW User Manual



Order codes:

LEDJ239 - Black Housing

LEDJ239A - White Housing

WARNING

FOR YOUR OWN SAFETY, PLEASE READ THIS USER MANUAL CAREFULLY BEFORE YOUR INITIAL START-UP!

- Before your initial start-up, please make sure that there is no damage caused during transportation.
- Should there be any damage, consult your dealer and do not use the equipment.
- To maintain the equipment in good working condition and to ensure safe operation, it is necessary for the user to follow the safety instructions and warning notes written in this manual.
- Please note that damages caused by user modifications to this equipment are not subject to warranty.



IMPORTANT:

The manufacturer will not accept liability for any resulting damages caused by the non-observance of this manual or any unauthorised modification to the equipment.

- Never let the power cable come into contact with other cables. Handle the power cable and all mains voltage connections with particular caution!
- Never remove warning or informative labels from the unit.
- Do not open the equipment and do not modify the unit.
- Do not connect this equipment to a dimmer pack.
- Do not switch the equipment on and off in short intervals, as this will reduce the system's life.
- Only use the equipment indoors.
- Do not expose to flammable sources, liquids or gases.
- Always disconnect the power from the mains when equipment is not in use or before cleaning! Only handle the power-cable by the plug. Never pull out the plug by pulling the power-cable.
- Make sure that the available mains supply voltage is between 100~240V AC, 50/60Hz.
- Make sure that the power cable is never crimped or damaged. Check the equipment and the power cable periodically.
- If the equipment is dropped or damaged, disconnect the mains power supply immediately and have a qualified engineer inspect the equipment before operating again.
- If the equipment has been exposed to drastic temperature fluctuation (e.g. after transportation), do not connect power or switch it on immediately. The arising condensation might damage the equipment. Leave the equipment switched off until it has reached room temperature.
- If your product fails to function correctly, stop use immediately. Pack the unit securely (preferably in the original packing material), and return it to your Pro Light dealer for service.
- Only use fuses of same type and rating.
- Repairs, servicing and power connection must only be carried out by a qualified technician. THIS UNIT CONTAINS NO USER SERVICEABLE PARTS.
- This lighting fixture is for professional use only - it is not designed for or suitable for household use. The product must be installed by a qualified technician in accordance with local territory regulations. The safety of the installation is the responsibility of the installer. The fixture presents risks of severe injury or death due to fire hazards, electric shock and falls.
- Warning! Risk Group 2 LED product according to EN 62471. Do not view the light output with optical instruments or any device that may concentrate the beam.
- WARRANTY: One year from date of purchase.

OPERATING DETERMINATIONS

If this equipment is operated in any other way, than those described in this manual, the product may suffer damage and the warranty becomes void. Incorrect operation may lead to danger e.g: short-circuit, burns and electric shocks etc.

Do not endanger your own safety and the safety of others!

Incorrect installation or use can cause serious damage to people and/or property.

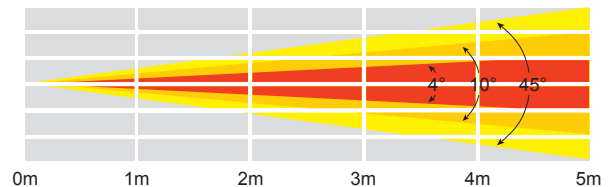
Event Spot Rapid RGBW

Powered by a single 15W quad-colour LED, the Event Spot Rapid RGBW further enhances the Event Spot series offering the user, not only highlighting and spotting solutions, but portable uplighting and washing possibilities too. The robust housing design makes this fixture extremely versatile, and with the added magnetic base feature, it can also be quickly and easily mounted to a variety of surfaces including most metals, omitting the need for clamps. This battery powered fixture has all the standard features expected with the Event Spot range, with the addition of an on-board W-DMX wireless transceiver making for a truly cable free operation. The fixture can be controlled via DMX, 4 button menu with LCD display, or the included IR remote.

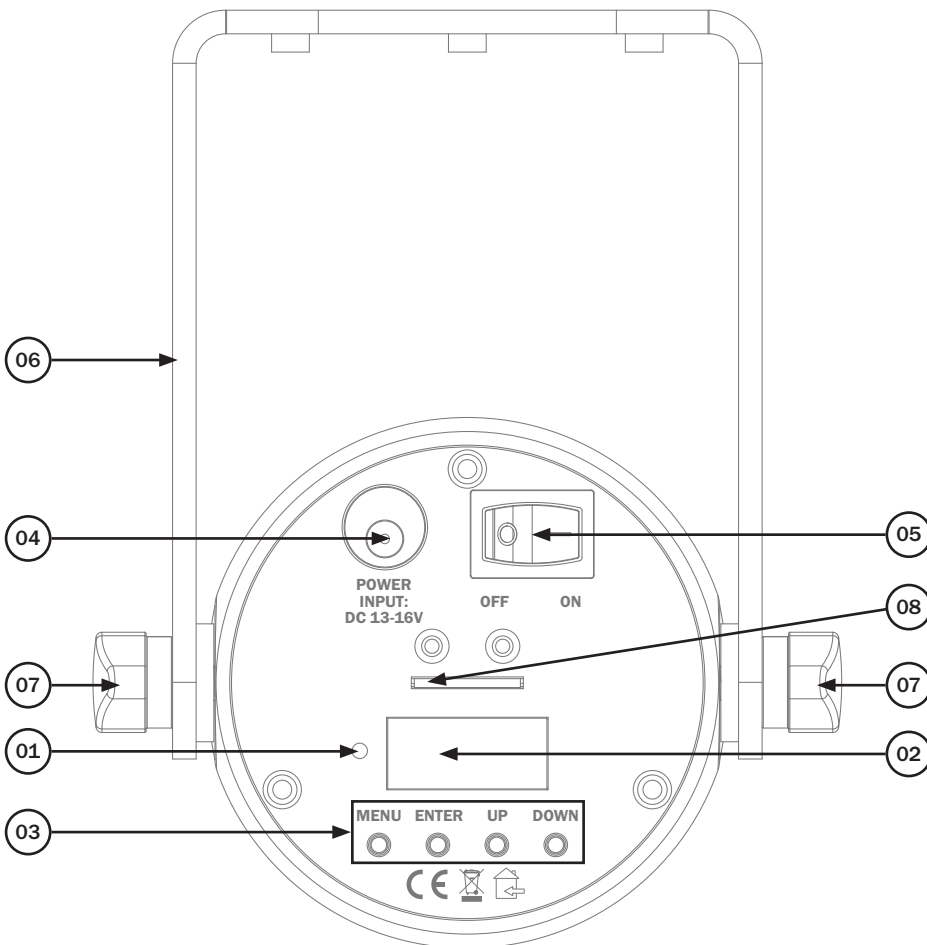
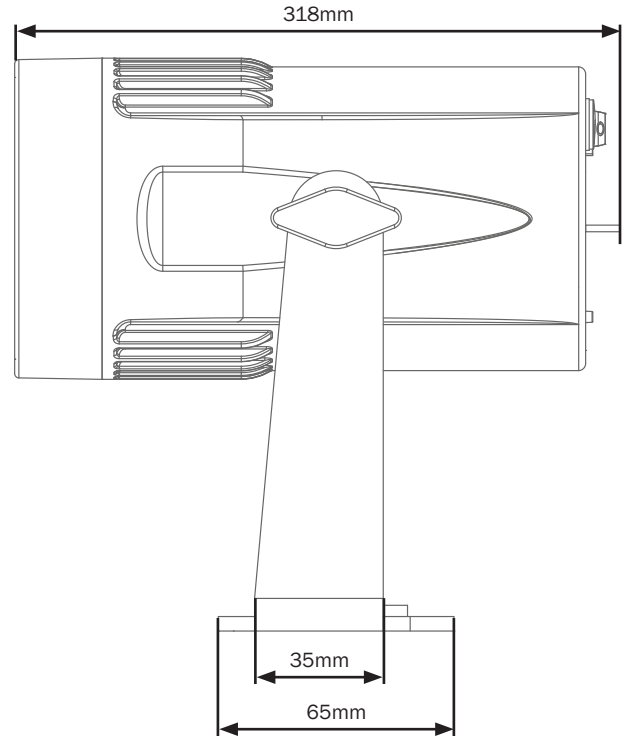
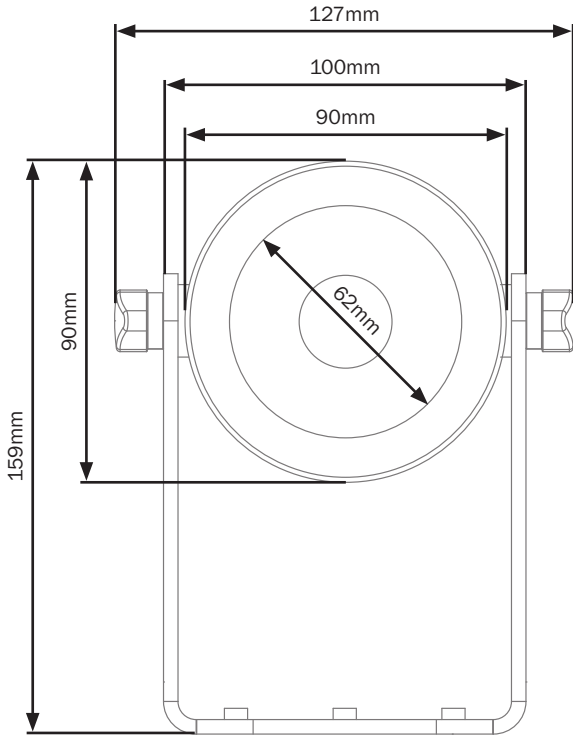
- 1 x 15W quad-colour LED (RGBW)
- Beam angle: 4° native, 10° and 45° frost lenses supplied
- 3.6kHz refresh rate
- DMX channels: 1/4/6 or 7 selectable
- Wireless control (W DMX Sweden transceiver)
- Static colour, colour change and colour fade and master/slave modes
- 0-100% dimming and variable strobe
- Magnetic base to easily mount fixture to most metal surfaces
- Bracket allows for multiple rigging applications
- 4 push button menu with OLED display
- Rechargeable battery for wireless applications
- 4 battery modes 2/4/6/8 hours
- Maximum run time: up to 11 hours (single colour), 15 hours (colour change), 7 hours (colour fade), 8 hours (full on)
- Charging time: 3.5 hours (max.)
- DC 13-16V, 1A charging input (via the included charger)
- Convection cooled
- Optional IR remote (LEDJ90C)



4° - Lux					
FULL ON	38800	9700	4310	2420	1550
R	10800	2698	1200	675	432
G	13500	3373	1500	843	539
B	1270	318	141	79	50
W	18200	4550	2020	1140	728
10° - Lux					
FULL ON	15500	3866	1720	968	619
R	4000	1000	444	258	160
G	6200	1550	689	388	248
B	820	205	91	51	32
W	9960	2492	1110	623	398
45° - Lux					
FULL ON	1990	497	221	124	79
R	320	80	35	20	12
G	588	147	65	36	23
B	72	18	8	4	2
W	1090	273	121	68	43

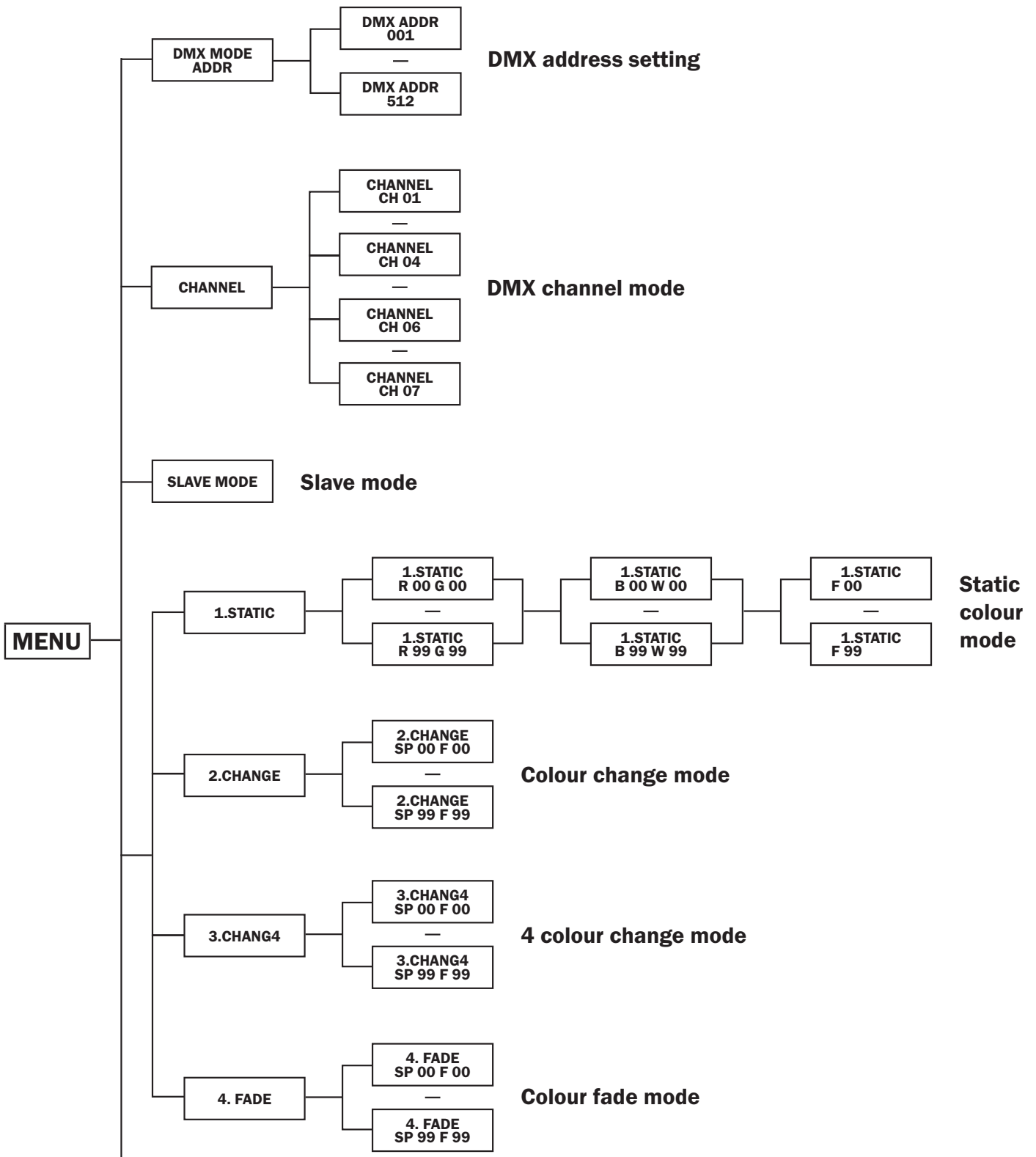


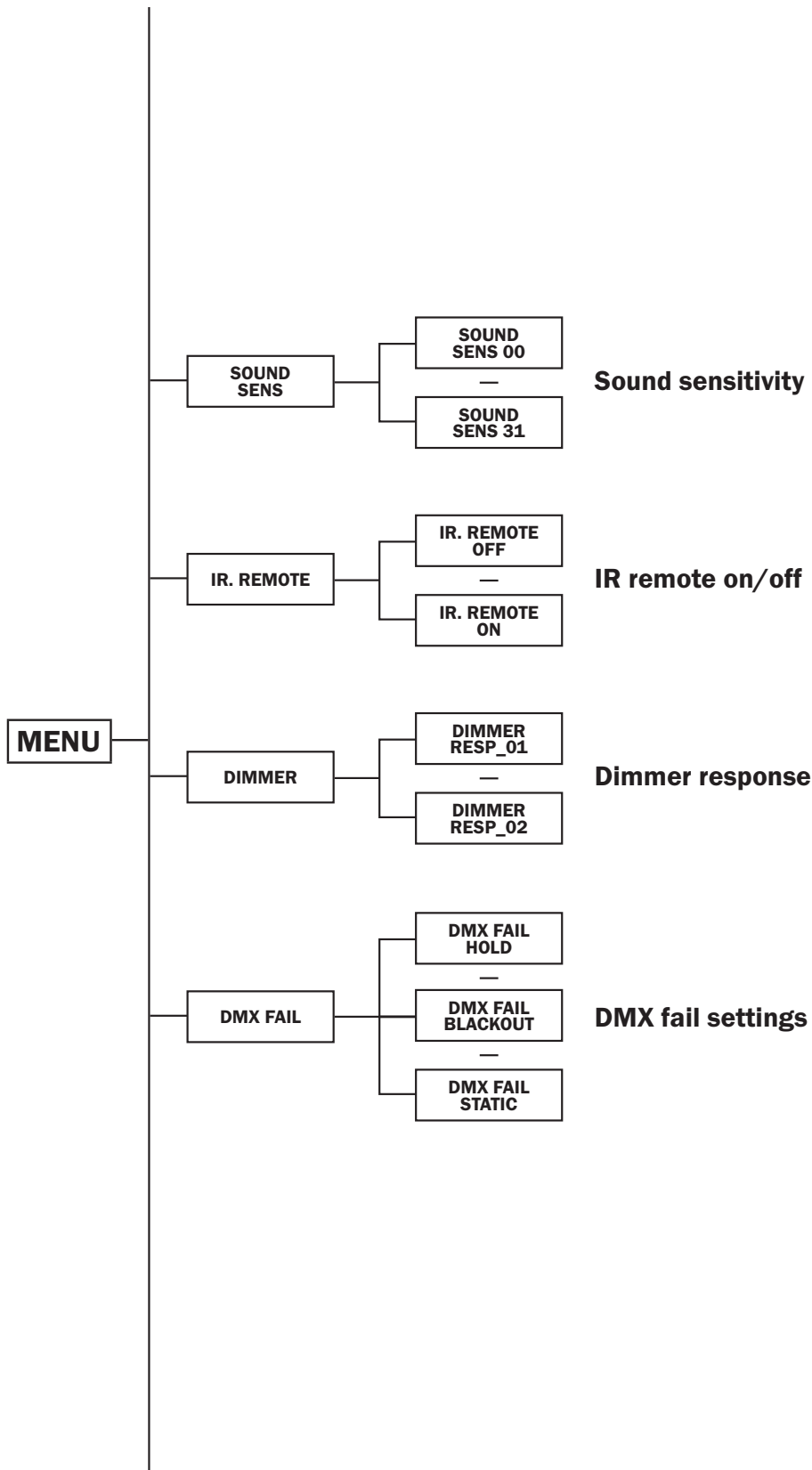
Specifications	Event Spot Rapid RGBW
Power consumption	17W
Power supply	100~240V, 50/60Hz
Battery	11.1V 2600mAh
Dimensions	205 x 125 x 88mm (with base) 175 x 88 x 88mm (without base)
Weight	1.2kg
Order code	LEDJ239 - Black Housing LEDJ239A - White Housing

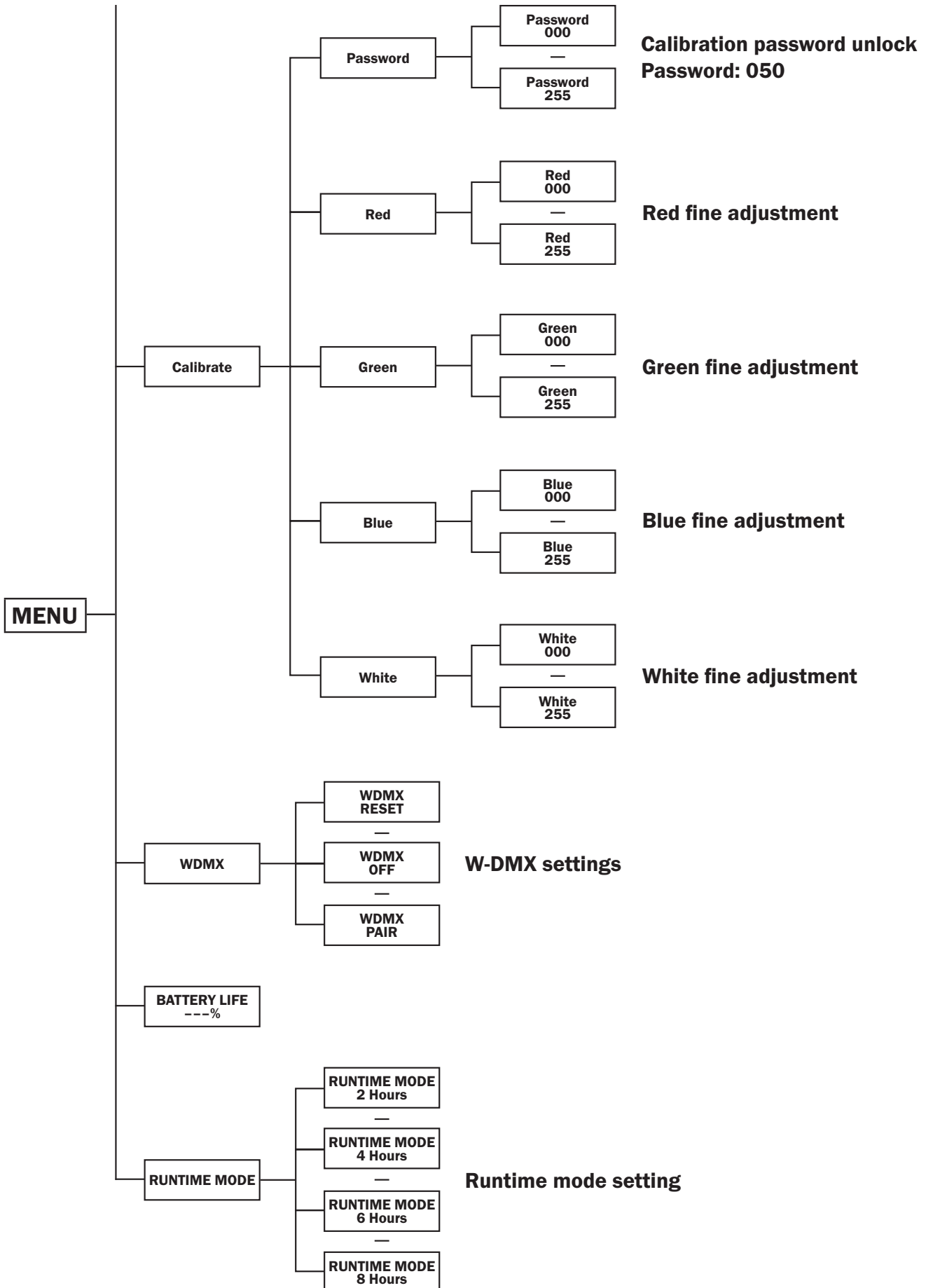


- 01 - Battery indicator
- 02 - LCD display
- 03 - Function buttons
- 04 - DC 13-16V, 1A charging input
- 05 - On/off switch
- 06 - Hanging bracket
- 07 - Hanging bracket adjustable knob
- 08 - Safety eye

In the box: **1 x fixture,**
1 x 10° frost lens,
1 x 45° frost lens,
1 x charging adaptor
& 1 x user manual







DMX mode:

Operating in a DMX control mode environment gives the user the greatest flexibility when it comes to customising or creating a show. In this mode you will be able to control each individual trait of the fixture and each fixture independently.

To access the DMX address mode, press the “**MENU**” button on the rear of the unit to show “**DMX MODE ADDR**” on the LCD display. Now press the “**ENTER**” button and use the “**UP**” and “**DOWN**” buttons to set the required DMX address. Press the “**ENTER**” button to confirm the setting.

To exit out of any of the above options, press the “**MENU**” button.

To access the DMX channel mode, press the “**MENU**” button on the rear of the unit to show “**CHANNEL CH –**” on the LCD display. Now press the “**ENTER**” button and use the “**UP**” and “**DOWN**” buttons to set the required DMX channel (1/4/6 or 7 selectable).

To exit out of any of the above options, press the “**MENU**” button.

1 channel mode:

Channel	Value	Function
1	000-255	RGBW dimmer (0-100%)

4 channel mode:

Channel	Value	Function
1	000-255	Red dimmer (0-100%)
2	000-255	Green dimmer (0-100%)
3	000-255	Blue dimmer (0-100%)
4	000-255	White dimmer (0-100%)

6 channel mode:

Channel	Value	Function
1	000-255	Red dimmer (0-100%)
2	000-255	Green dimmer (0-100%)
3	000-255	Blue dimmer (0-100%)
4	000-255	White dimmer (0-100%)
5	000-255	Master dimmer (0-100%)
6	000	No function
	001-005	Sound active
	006-010	No function
	011-225	Strobe (slow-fast)

7 channel mode:

Channel	Value	Function
1	000-255	Red dimmer (0-100%)
2	000-255	Green dimmer (0-100%)
3	000-255	Blue dimmer (0-100%)
4	000-255	White dimmer (0-100%)
5	000-255	Master dimmer (0-100%)
6	000	No function
	001-005	Sound active
	006-010	No function
	011-225	Strobe (slow-fast)
7	000-004	No function
	005-125	15 colour change mode (slow-fast)
	126-255	15 colour fade mode (slow-fast)

Please note: The DMX Transmitter must be in G3 mode to work with these fixtures.

Built-in programs:

To access the built-in programs, press the “**MENU**” button on the rear of the unit to show “**1.STATIC**” on the LCD display. Press the “**ENTER**” button and use the “**UP**” and “**DOWN**” buttons to select one of the 4 built-in programs (static colour, colour change, 4 colour change or colour fade).

1.STATIC - Press the “**ENTER**” button and use the “**UP**” and “**DOWN**” buttons to select between “**00**” - “**99**” for R (Red), G (Green), B (Blue), W (White) and F (Flash).

Press the “**ENTER**” button to confirm the setting.

(00 = LED off/strobe off, 99 = LED at full brightness/strobe fast)

For **2.CHANGE**, **3.CHANG4** and **4.FADE** programs press the “**ENTER**” button and use the “**UP**” and “**DOWN**” buttons to set the speed from “**00**” - “**99**”. Press the “**ENTER**” button again and use the “**UP**” and “**DOWN**” buttons to set the strobe speed from “**00**” - “**99**”.

Press the “**ENTER**” button to confirm the setting.

(00 = speed slow, 99 = speed fast).

To exit out of any of the above options, press the “**MENU**” button.

Sound sensitivity:

To adjust the sound sensitivity, press the “**MENU**” button on the rear of the unit to show “**SOUND SENS**” on the LCD display. Press the “**ENTER**” button and use the “**UP**” and “**DOWN**” buttons to set the sensitivity from “**00**” - “**31**”. Press the “**ENTER**” button to confirm the setting.

(00 = low sensitivity, 31 = high sensitivity).

To exit out of any of the above options, press the “**MENU**” button.

IR remote on/off:

To set the IR remote on/off, press the “**MENU**” button on the rear of the unit to show “**IR. REMOTE**” on the LCD display. Press the “**ENTER**” button and use the “**UP**” and “**DOWN**” buttons to select “**ON**” or “**OFF**”. Press the “**ENTER**” button to confirm the setting.

To exit out of any of the above options, press the “**MENU**” button.

Dimmer response:

To set the dimmer response, press the “**MENU**” button on the rear of the unit to show “**DIMMER**” on the LCD display. Press the “**ENTER**” button and use the “**UP**” and “**DOWN**” buttons to select “**RESP_01**” or “**RESP_02**”. Press the “**ENTER**” button to confirm the setting.

To exit out of any of the above options, press the “**MENU**” button.

DMX fail:

To set the DMX fail setting, press the “**MENU**” button on the rear of the unit to show “**DMX FAIL**” on the LCD display. Press the “**ENTER**” button and use the “**UP**” and “**DOWN**” buttons to select between “**HOLD**” (hold last DMX command), “**BLACKOUT**” (blackout) or “**STATIC**” (run static colour mode).

Press the “**ENTER**” button to confirm the setting.

To exit out of any of the above options, press the “**MENU**” button.

Calibration:

To access the calibration, press the “MENU” button on the rear of the unit to show “Calibrate” on the LCD display. Press the “ENTER” button and the display will show “Password”, use the “UP” and “DOWN” buttons until “050” is displayed. Press the “ENTER” button to confirm the password. Now use the “UP” and “DOWN” buttons to select between “Red”, “Green”, “Blue” and “White”. Press the “ENTER” button and use the “UP” and “DOWN” buttons to adjust the values from “00” - “99”.

Press the “ENTER” button to confirm the setting.

To exit out of any of the above options, press the “MENU” button.

Wireless DMX indicator information:

When the display is flashing, W-DMX is not paired with other units/transmitter unit or is set to off. When the display is on and not flashing, W-DMX is paired. To check the status of the W-DMX see the W-DMX menu in the fixture which will indicate whether it is on or off.

Wireless DMX operation:

To operate the fixture in wireless DMX you will need to connect the fixture to a W-DMX compatible wireless DMX Transmitter. To pair the fixture and transmitter make sure the display is flashing indicating no W-DMX signal. First the fixture needs to be set into DMX mode, to do this set the DMX address and channel mode to what is required, see [DMX mode](#).

To turn wireless DMX on, press the “MENU” button to show “W-DMX” on the LCD display.

Press the “ENTER” button use the “UP” and “DOWN” buttons to select “RESET”.

Press the “ENTER” button. This will reset the DMX memory and turn W-DMX on.

Press the pair button on the transmitter.

Once the pair is successful the display will stop flashing.

To turn wireless DMX off, press the “MENU” button to show “W-DMX” on the LCD display. Now use the “UP” and “DOWN” buttons to select “OFF”. Press the “ENTER” button to confirm the setting.

To exit out of any of the above options, press the “MENU” button.

To link multiple Event Spot Rapids via wireless master/slave see [Wireless master/slave operation](#).

Clear wireless DMX memory:

To clear the wireless DMX memory, press the “MENU” button to show “W-DMX” on the LCD display. Now use the “UP” and “DOWN” buttons to select “RESET”. Press the “ENTER” button to erase the wireless DMX memory. The display will start flashing to show there is no W-DMX signal.

To exit out of any of the above options, press the “MENU” button.

Please note: When the fixture is in Master mode the wireless DMX memory of the Transmitter unit and all receiving units will be cleared. When in Slave mode the wireless DMX memory of that one receiving unit will be cleared.

Wireless master/slave operation:

To set the fixtures into wireless master/slave, first clear the fixtures wireless DMX memory by following the instructions [Clear wireless DMX memory](#).

Once all units (including the masters) wireless DMX memory has been cleared set the slave units.

To set the slave units, press the “**MENU**” button to show “**SLAVE MODE**” on the LCD display.

Press the “**ENTER**” button to confirm the setting.

Now set the master unit in the program required (static colour, colour change, colour fade or sound).

Once the master unit has been set you need to pair the fixtures. To do this press the “**MENU**” button on the master unit to show “**W-DMX**” on the LCD display. Now press the “**ENTER**” button and use the “**UP**” and “**DOWN**” buttons to select “**PAIR**”. Press the “**ENTER**” button and the fixture will start to pair.

The master unit will now pair and the slaves will run in sequence with the master unit.

Once the pair is successful the display will stop flashing.

To exit out of any of the above options, press the “**MENU**” button.

Please ensure that all slave units are set to the same DMX channel mode as the master unit.

Battery life:

To display the fixtures battery life, press the “**MENU**” button to show “**BATTERY LIFE**” on the LCD display.

The battery life will be displayed. To exit out of any of the above options, press the “**MENU**” button.

When charging the fixtures charging indicator will illuminate Red.

When the fixture is fully charged the charging indicator will change to green.

Runtime mode:

To set the fixtures runtime, press the “**MENU**” button on the rear of the unit to show “**RUNTIME MODE**” on the LCD display. Press the “**ENTER**” button and use the “**UP**” and “**DOWN**” buttons to select between “**2 Hours**”, “**4 Hours**”, “**6 Hours**” or “**8 Hours**”. Press the “**ENTER**” button to confirm the setting.

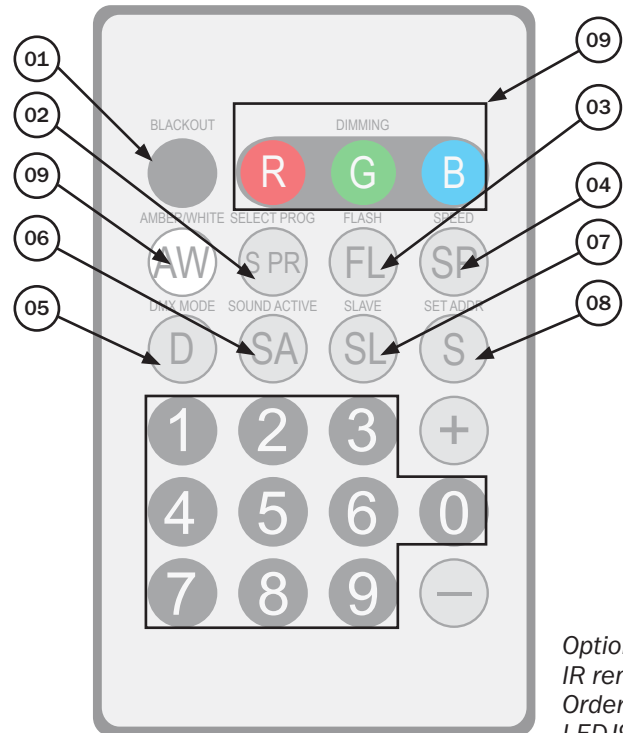
To exit out of any of the above options, press the “**MENU**” button.

Please note: In 2 hour runtime mode the fixture will run at 100% brightness. The brightness will be reduced when the fixture is in 4, 6 or 8 hour runtime modes to prolong the battery life.

Optional IR remote functions:

Button functions:

- 01 - Sets the LEDs into power on or off modes
- 02 - Runs the built-in programs, use the '+' and '-' buttons to go through the programs
- 03 - Sets the LEDs to flash on and off, use the '+' and '-' buttons to change the flash frequency
- 04 - Sets the run speed, use the '+' and '-' buttons to change the desired speed (note: only available in the colour change or colour fade modes)
- 05 - Sets the LEDs into DMX mode
- 06 - Sets the LEDs into sound active mode
- 07 - Sets the LEDs into slave mode
- 08 - Sets the DMX address for the LEDs
- 09 - Sets the LEDs colour, then use the '+' and '-' buttons to change the brightness



DMX address examples:

To set the DMX address “245”;

- Press the “S” button, the red LEDs will come on, you can now start to set the DMX address
- Now press the “2” button, the green LEDs will come on, this means the first digit has been set at 2
- Now press the “4” button, the blue LEDs will come on, this means the second digit has been set at 4
- Now press the “5” button, and the white/amber LEDs will come on, the third digit 5 has been set. The full DMX address setting has been changed
- Now press the “DMX MODE” button to save the new address into the memory

Important notes:

- Set the DMX address on each fixture before plugging into the DMX controller
- The IR remote cannot be used when the fixture(s) are being controlled with a DMX controller
- The maximum IR transmitter distance is 10m - Please make sure that you have the IR remote aimed directly at the front panel of each fixture to be programmed
- If you do not press the “DMX MODE” button after you have changed the DMX address when you power down the fixture it will lose the address you have set

To set the DMX address “002”;

- Press the “S” button, the red LEDs will come on, you can now start to set the DMX address
- Now press the “0” button, the green LEDs will come on, this means the first digit has been set at 0
- Now press the “0” button, the blue LEDs will come on, this means the second digit has been set at 0
- Now press the “2” button, and the white/amber LEDs will come on, the third digit 5 has been set. The full DMX address setting has been changed
- Now press the “DMX MODE” button to save the new address into memory



Correct Disposal of this Product (Waste Electrical & Electronic Equipment)

**(Applicable in the European Union and other European countries
with separate collection systems)**

This marking shown on the product or its literature, indicates that it should not be disposed with other household wastes at the end of its working life. To prevent possible harm to the environment or human health from uncontrolled waste disposal, please separate this from other types of wastes and recycle it responsibly to promote the sustainable reuse of material resources.

Household users should contact either the retailer where they purchased this product, or their local government office, for details of where and how they can take this item for environmentally safe recycling.

Business users should contact their supplier and check the terms and conditions of the purchase contract. This product should not be mixed with other commercial wastes for disposal.



LEDj