

# ST-5000T

## Gooseneck Microphone

Thanks for choosing JTS ST-5000T Gooseneck Microphone. In order to obtain the best efficiency, you are recommended to read this manual before applying.

The ST-5000T is designed to have studio quality sound for public address and conferencing while still have low profile .

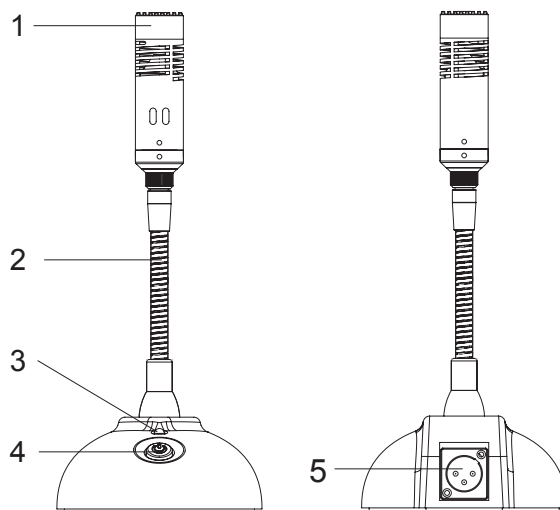


### FEATURES

- < Cardioid pick up pattern
- < Push ON/OFF
- < LED indicator
- < Balanced XLR male output

### PARTS IDENTIFICATION

1. Capsule
2. Gooseneck
3. LED Indicator
4. ON / OFF Switch
5. 3P XLR-Male Connector



# SPECIFICATION

## ST-5000T

Type : Condenser Mic

Frequency Response : 20 to 20,000Hz

Polar Pattern : Cardioid

Output Level(at 1,000Hz) :  $-36 \pm 3\text{dB}^*$  (15.8mV)\*0dB=1V/Pa

Attenuation Switch : -10dB

Low Frequency Roll-off : -80Hz

Impedance : 100Ω

Max. SPL For 1% T.H.D : 140dB

Signal To Noise Ratio : 78dB

Current Consumption :  $\leq 3\text{mA}$

Power Supply : 36-52 VDC phantom power

Switch : Push ON/OFF

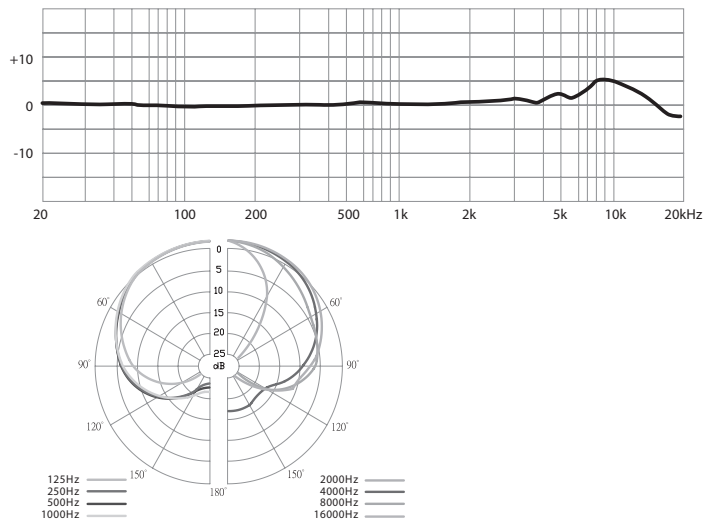
Output Connector : XLR-M type(power module)

Gooseneck Length : 122mm

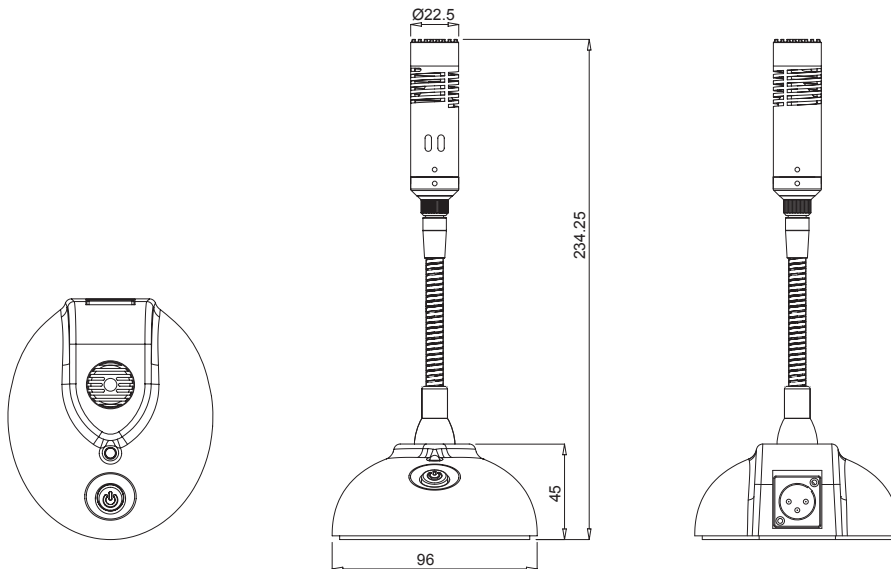
Base Dimension : 96mm(W) $\times$ 45mm(H) $\times$ 113mm(D)

Net Weight : 748g

## Frequency Response



## DIMENSIONS



[www.jts.com.tw](http://www.jts.com.tw)



59010-095-02