

PT-RMS In Line Mute Controller

The PT-RMS is designed to mute a wireless body-pack transmitter by push a button. Mute mode is programmable as ON/OFF, Momentary ON and Momentary OFF. This unit is compatible with all JTS wireless body-pack transmitters.

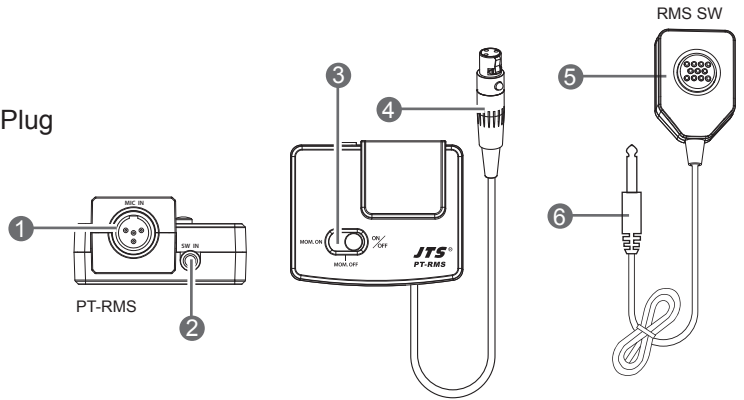
Parts Description

PT-RMS

- ① MIC IN : Microphone Input Plug
- ② SW IN : RMS SW Ø 2.5mm Remote Control Switch Plug
- ③ Operation Mode Setting Switch
- ④ 4P MINI XLR Output Plug

RMS SW

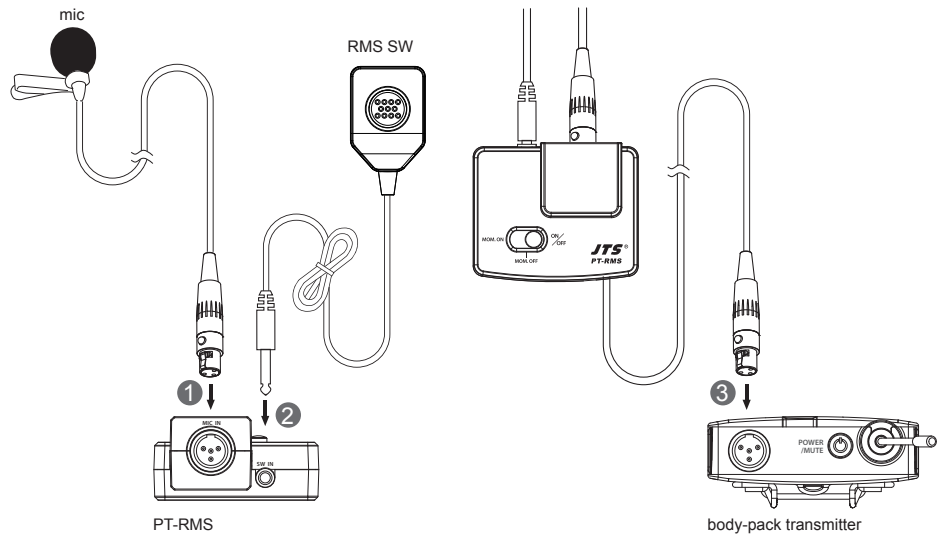
- ⑤ MIC Mute Control Switch
- ⑥ Ø 2.5mm Remote Control Plug



Instructions

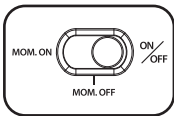
Body-Pack Transmitter “ Power Off ”

- ① Plug the microphone into MIC IN.
- ② Plug RMS SW to SW IN and turn clockwise to the bottom.
- ③ Plug PT-RMS to the mic input on body-pack transmitter and turn on the power after connection.



Operation Setting

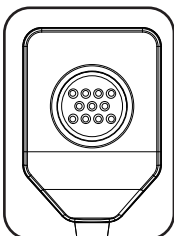
PT-RMS Mode Switch



ON/OFF :

- MIC ON : Press RMS SW switch.
- MIC OFF : Press RMS SW switch again.
- *Press RMS SW switch to set MIC ON or OFF.

RMS SW Control Button



MOM. OFF

- MIC OFF : Press and hold the RMS SW switch.
- MIC ON : Release the RMS SW switch.

MOM. ON

- MIC ON : Press and hold RMS SW switch.
- MIC OFF : Release the RMS SW switch.

⚠ Note : When the operation mode is switched at ON/OFF mode, the MIC will be ON when turn on the power of body-pack transmitter.

Specifications

PT-RMS

INPUT	SW IN : 2.5mm stereo jack MIC IN : 4P Mini XLR(M)
OUTPUT	4P Mini XLR(F)
Operating Mode	ON/OFF 、 MOM. OFF 、 MOM. ON
Dimension(mm)	48.6*40.9*30.1mm
Cable Length	220mm

RMS SW

OUTPUT	2.5mm stereo plug
Dimension(mm)	37.9* 22*17.1mm
Switch	MIC ON / OFF
Cable Length	1.5M