



PMB POLE-MOUNT BRACKET for CONTROL CRV

FOUR-SPEAKER ARRAY USING THE PMB POLE- MOUNT BRACKET

IMPORTANT

The JBL Control PMB Pole-Mount Bracket facilitates installation of the JBL Control CRV loudspeakers with a variety of general-purpose ceiling-fan-pole assemblies available from many manufacturers. Since different fan-pole assemblies have different weight capacities, pole diameters and mounting systems, it is the customer's responsibility to check with the fan-pole-assembly manufacturer or dealer to determine whether that specific pole-mount assembly is capable of correctly and securely attaching to the PMB and handling the weight and proportions of these loudspeakers in a safe and stable manner. JBL disclaims any liability for the selection of fan-pole assemblies and/or correct compatibility between the selected fan-pole assembly and the JBL PMB Pole-Mount Bracket.

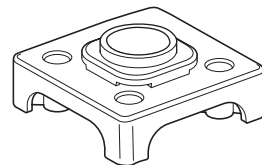
CAUTION: Installation must be done by qualified persons using safe rigging standards.

The installer is responsible for proper selection and use of mounting hardware, to properly and safely pole-mount the speakers.

UNPACKING THE BRACKET AND CABLE KIT

Carefully unpack the bracket and cable assembly. If you suspect damage from transit, report it immediately to your dealer and/or delivery service. Keep the shipping carton and packing materials for future use. Open the package and verify the following contents:

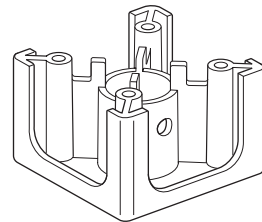
Included:



Pole Mount Bracket Cap



Pole Bushing
(used for
smaller diameter
drop tubes)



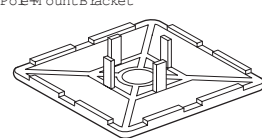
Pole Mount Bracket



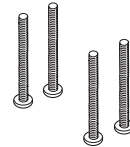
Cotter Pin



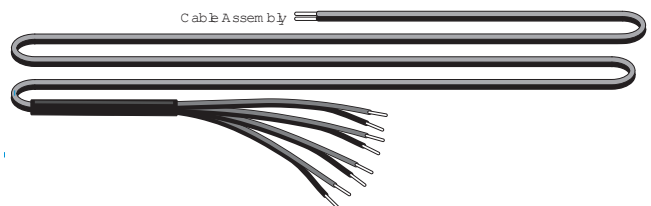
Clevis Pin



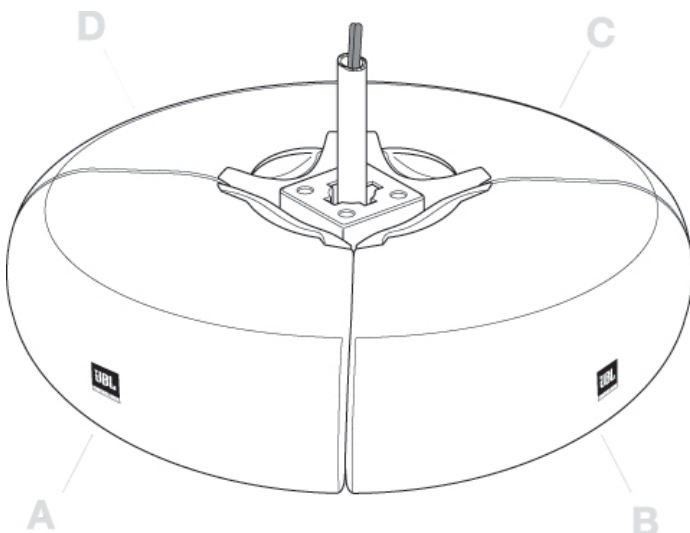
Pole Mount Bracket Cover



(4) #10-32 x 2" Screws



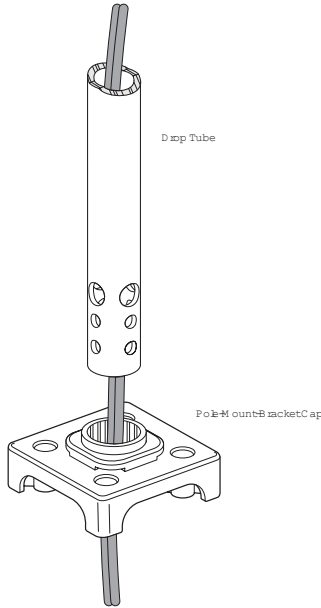
Cable Assembly



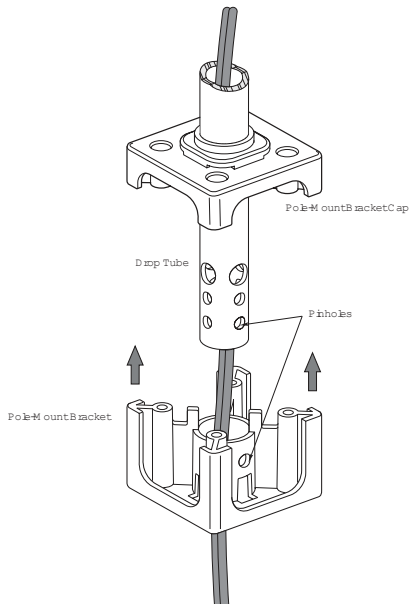
ATTACHING POLE TO POLE-MOUNT BRACKET

For Larger-Diameter Drop Tubes

1. Run the appropriate wiring down through the drop tube. Slide the drop tube through the pole-mount-bracket cap.

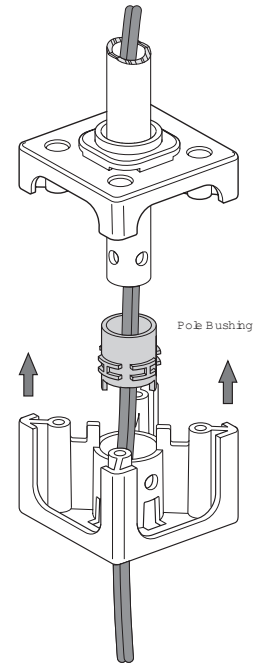


2A. Slide the pole-mount bracket up onto the drop tube, aligning the pinholes on the bracket with those on the drop tube.

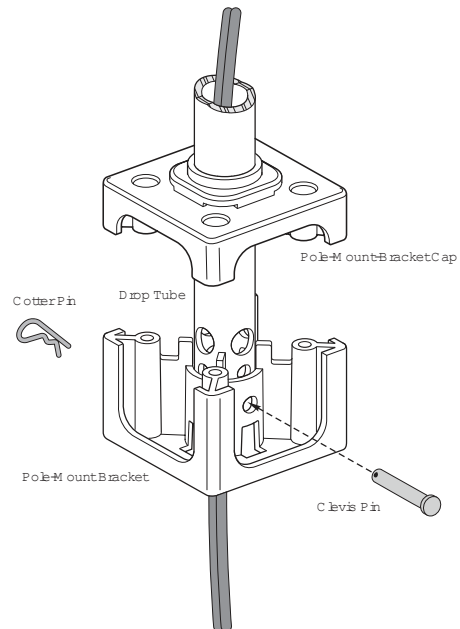


For Smaller-Diameter Drop Tubes

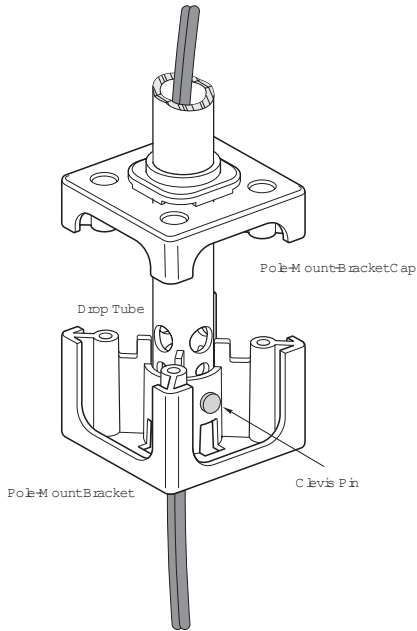
2B. When using a smaller drop tube, use the pole bushing when running the wiring down through pole-mount-bracket cap. This will help to eliminate pole wobble.



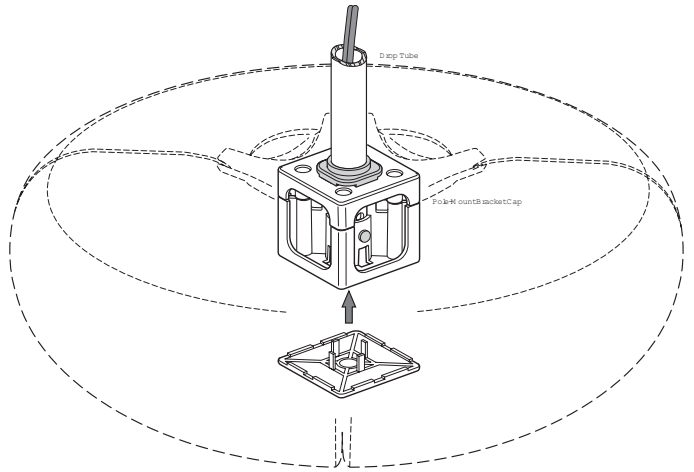
3. Slide the clevis pin through the aligned holes in the pole-mount bracket and drop tube. Secure the clevis pin by inserting the cotter pin through the hole in the clevis pin.



4. The pole-mount bracket can now hold the weight of the speakers.

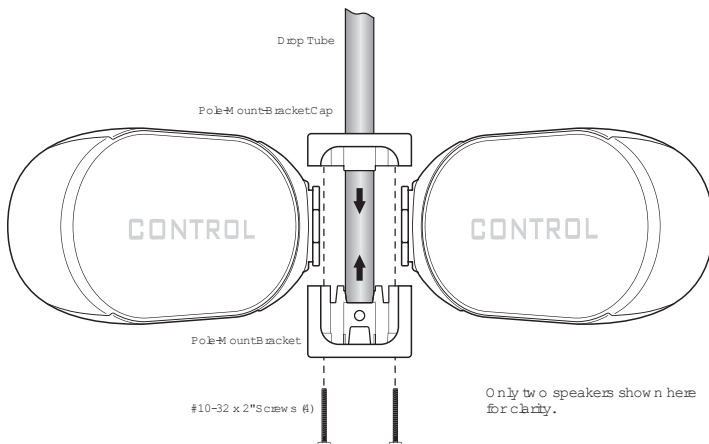


4. Place the pole-mount-bracket cover over the bottom visible mounting bracket by snapping it into place.



SPEAKER MOUNTING

1. Set the tap selector switches to the desired 70V/100V tap. THRU position is not advised due to parallel speakers providing too low of an impedance for most low impedance power amplifiers.
2. Connect the stripped bare wires to the input terminals of the JBL Control CRV speakers.
3. After carefully placing all four speakers in the mounting bracket, lightly jostle the speakers into place so that the pole-mount-bracket cap will slide down into place. Tighten the pole-mount-bracket assembly with the four #10-32 x 2" (M5 51 mm) screws provided.



CONTACTING JBL PROFESSIONAL

These products are designed and backed by JBL Professional, the world leader in professional sound reinforcement. For complete warranty information, to order replacement parts or to ask for clarifications to this manual, contact JBL Professional.

Within the United States:

Applications Department, JBL Professional
8500 Balboa Blvd., PO Box 2200
Northridge, CA 91329 USA

In the USA you may call Monday through Friday 8:00am to 5:00pm Pacific Coast Time (800) 894-8850.

Outside the USA:

Contact the JBL Professional Distributor in your country.

A list of JBL Professional Distributors and US Service Centers can be obtained from the JBL Professional website at: www.jblpro.com/performance.