

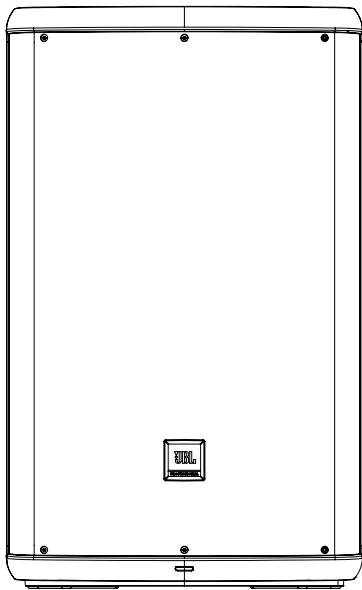


EON 700

SERIES

1300W POWER AMP | FULL APP CONTROL | BLUETOOTH AUDIO | LEGENDARY JBL SOUND

QUICKSTART GUIDE



1. POWER ON THE UNIT

1. Connect the power cord to the **AC Power Connector (F)**.
2. Press the **Power Button (B)** for .5 of a second to engage power.

2. PLUG IN THE INPUTS

1. Turn the **Channel Gains (J)** all the way to the left before connecting any inputs.
2. Connect your devices to the **Input Jacks (G) (H) (I)**.

3. SET UP THE CHANNELS

1. Insert input into desired channel
2. Slowly turn the **Main Volume (C)** knob to increase your main volume.
3. Adjust the Channel Gain knobs until your desired volume is achieved.

4. LCD Display

1. Press the Main/Menu knob **(C)** to access the LCD display.

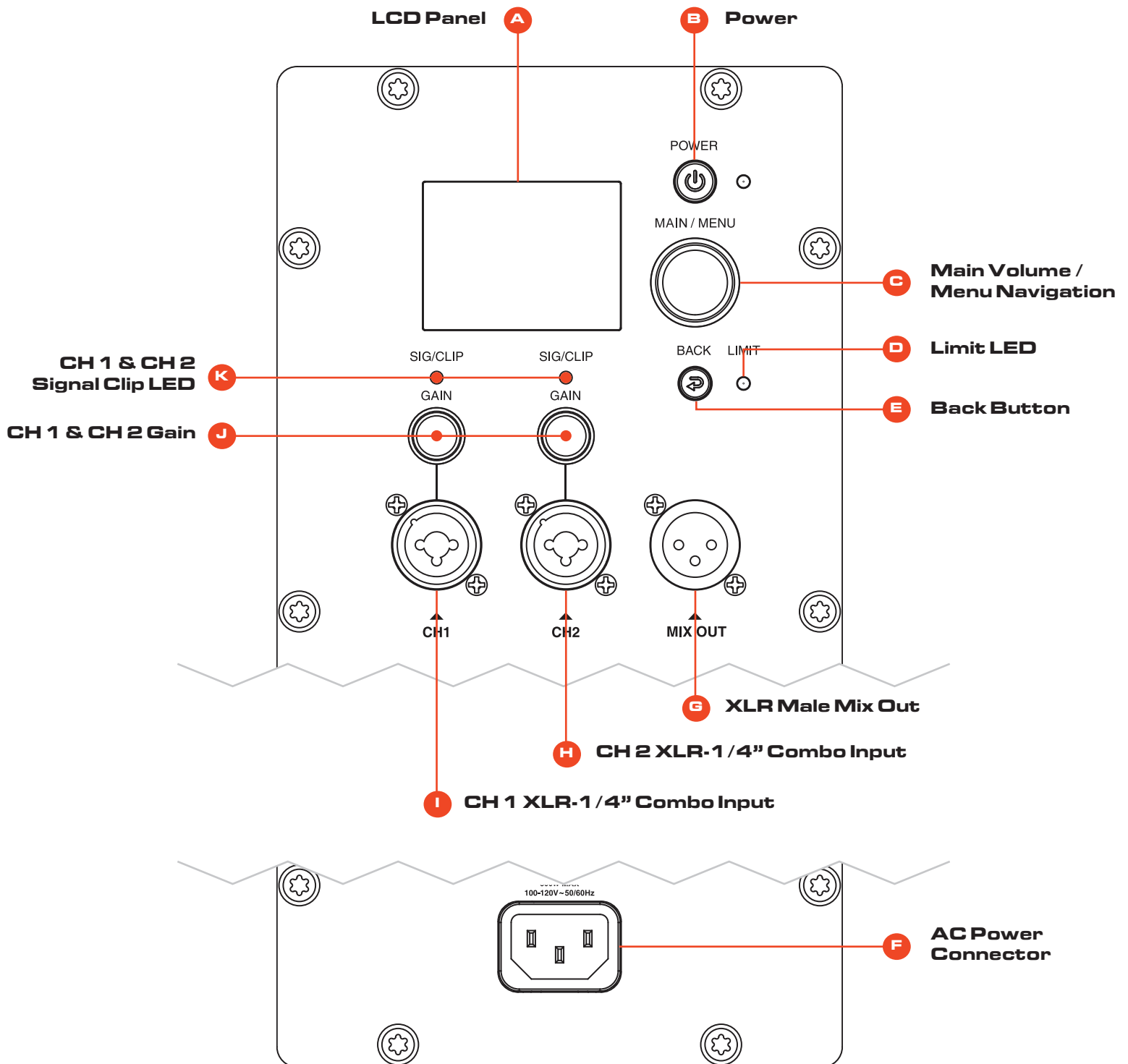
5. PAIR Bluetooth™ AUDIO

This device supports Bluetooth audio streaming.

To connect your device:

1. Press Main/Menu and navigate to the Settings field.
2. Select BT Audio Pairing.
3. Find the EON700 Speaker on your device.
4. Download the JBL Pro Connect app from App Store/Google Play

It is recommended you ensure the firmware of your speaker is up to date.



Pour la version française de ce document, veuillez visiter le site www.jblpro.com/eon700

Die deutsche Version dieses Dokuments finden Sie unter www.jblpro.com/eon700

Para la versión en español de este documento, por favor visite www.jblpro.com/eon700

Para a versão em português deste documento, visite www.jblpro.com/eon700

Per la versione italiana di questo documento, visitare www.jblpro.com/eon700

이 문서의 한국어 버전은 www.jblpro.com/eon700 를 방문하십시오

有關本文檔的中文版，請訪問 www.jblpro.com/eon700

For complete documentation, visit

<http://www.jblpro.com/eon700>