

**ENGLISH**

# **TFLD-7 Floodlight**

**V1**

**Product code: 200400**

### Preface

---

Thank you for purchasing this Infinity product.

The purpose of this user manual is to provide instructions for the correct and safe use of this product.

Keep the user manual for future reference as it is an integral part of the product. The user manual shall be stored at an easily accessible location.

This user manual contains information concerning:

- Safety instructions
- Intended and non-intended use of the device
- Installation and operation of the device
- Maintenance procedures
- Troubleshooting
- Transport, storage and disposal of the device

Non-observance of the instructions in this user manual may result in serious injuries and damage of property.

©2020 Infinity. All rights reserved.

No part of this document may be copied, published or otherwise reproduced without the prior written consent of Highlite International.

Design and product specifications are subject to change without prior notice.

For the latest version of this document, please visit our website [www.highlite.com](http://www.highlite.com) or contact us at [service@highlite.com](mailto:service@highlite.com).

Highlite International and its authorized service providers are not liable for any injury, damage, direct or indirect loss, consequential or economic loss or any other loss arising from the use of, or inability to use or reliance on the information contained in this document.

## Table of contents

<b>1. Introduction.....</b>	<b>4</b>
1.1. Before Using the Product .....	4
1.2. Intended Use .....	4
1.3. Product Lifespan.....	4
1.4. LEDs Lifespan .....	4
1.5. Text Conventions .....	4
1.6. Symbols and Signal Words.....	5
1.7. Symbols on the Information Label .....	5
<b>2. Safety .....</b>	<b>6</b>
2.1. Warnings and Safety Instructions .....	6
2.2. Requirements for the User.....	8
<b>3. Description of the Device .....</b>	<b>9</b>
3.1. Front View .....	9
3.2. Back View .....	9
3.3. Product Specifications .....	10
3.4. Dimensions.....	11
<b>4. Installation .....</b>	<b>12</b>
4.1. Safety Instructions for Installation .....	12
4.2. Personal Protective Equipment .....	12
4.3. Installation Site Requirements .....	12
4.4. Rigging .....	12
4.5. Beam Shaper Installation .....	14
4.6. Connecting to Power Supply .....	15
4.7. Power Linking of Multiple Devices.....	15
<b>5. Setup .....</b>	<b>16</b>
5.1. Warnings and Precautions .....	16
5.2. Stand-alone Setup .....	16
5.3. DMX Connection.....	16
5.3.1. DMX-512 Protocol .....	16
5.3.2. DMX Cables.....	17
5.3.3. DMX Linking.....	17
5.3.4. DMX Addressing.....	18
<b>6. Operation .....</b>	<b>19</b>
6.1. Safety Instructions for Operation .....	19
6.2. Control Modes .....	19
6.2.1. Focus Mode .....	19
6.3. Control Panel .....	20
6.4. Start-up.....	20
6.5. Menu Overview .....	21
6.6. Main Menu Options .....	23
6.6.1. DMX Channel Mode .....	23
6.6.2. DMX Address .....	23
6.6.3. Manual Mode .....	24
6.6.3.1. Color .....	24
6.6.4. Dimmer Curve .....	25
6.6.5. Dimmer Speed .....	25
6.6.6. CCT Mode .....	25
6.6.7. Tungsten .....	26
6.6.8. DMX Lost .....	26
6.6.9. Fan Mode.....	27
6.6.10. PWM Frequency .....	27
6.6.11. Calibration .....	27
6.6.12. Display .....	27
6.6.13. Info.....	28
6.6.14. Factory.....	28

6.7.	DMX Channels .....	29
6.7.1.	DMX Channels Overview .....	29
6.7.2.	Dimmer (1 Channel), Basic (5 Channels), Tungsten (6 Channels) .....	30
6.7.3.	RGB Pro (10 Channels), CMY Pro (10 Channels), HSI Pro (10 Channels) .....	33
6.7.4.	RAW (20 Channels) .....	36
<b>7.</b>	<b>Troubleshooting .....</b>	<b>39</b>
<b>8.</b>	<b>Maintenance .....</b>	<b>40</b>
8.1.	Safety Instructions for Maintenance .....	40
8.2.	Preventive Maintenance .....	40
8.2.1.	Basic Cleaning Instructions .....	41
8.3.	Corrective Maintenance .....	41
<b>9.</b>	<b>Deinstallation, Transportation and Storage .....</b>	<b>42</b>
9.1.	Instructions for Deinstallation .....	42
9.2.	Instructions for Transportation .....	42
9.3.	Storage .....	42
<b>10.</b>	<b>Disposal .....</b>	<b>42</b>
<b>11.</b>	<b>Approval .....</b>	<b>42</b>

## 1. Introduction

### 1.1. Before Using the Product



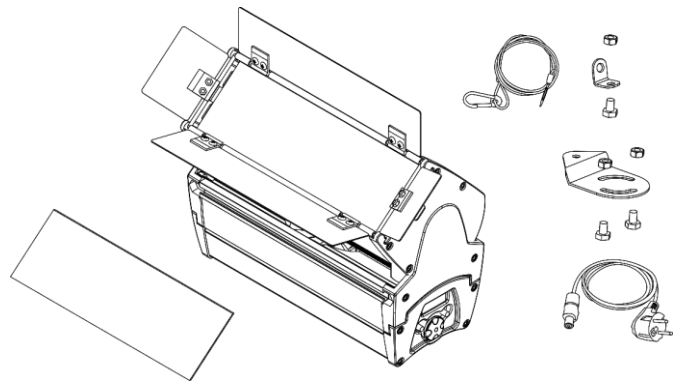
**Important**  
**Read and follow the instructions in this user manual before installing, operating or servicing this product.**

The manufacturer will not accept liability for any resulting damages caused by the non-observance of this manual.

After unpacking, check the contents of the box. If any parts are missing or damaged, contact your Highlite International dealer.

Your shipment includes:

- Infinity TFLD-7 Floodlight
- Schuko to Neutrik powerCON cable (1,4 m)
- Beam shaper
- 1 x Mounting bracket set
  - 1 x Mounting bracket
  - 2 x Mounting screws
  - 2 x Hex nuts
- Safety bracket set:
  - 1 x Safety bracket
  - 1 x Mounting screw
  - 1 x Hex nut
- Safety cable
- User manual



**Fig. 01**

### 1.2. Intended Use

This device is intended for professional use as a floodlight. It is suitable only for indoor installation. This device is not suitable for households and for general lighting.

Any other use, not mentioned under intended use, is regarded as non-intended and incorrect use.

### 1.3. Product Lifespan

This device is not designed for permanent operation. Disconnect the device from the electrical power supply when the device is not in operation. This will reduce the wear and will improve the device's lifespan.

### 1.4. LEDs Lifespan

The light output of the LEDs gradually decreases over time (lumen depreciation). High operating temperatures contribute to this process. You can extend the lifespan of the LEDs by providing adequate ventilation and operating the LEDs at the lowest possible brightness.

### 1.5. Text Conventions










Throughout the user manual the following text conventions are used:

- Buttons: All buttons are in bold lettering, for example "Press the **UP/DOWN** buttons"
- References: References to chapters and parts of the device are in bold lettering, for example: "Refer to **2. Safety**", "press the **beam shaper lock (05)**"
- 0–255: Defines a range of values
- Notes: **Note:** (in bold lettering) is followed by useful information or tips

### 1.6. Symbols and Signal Words

Safety notes and warnings are indicated throughout the user manual by safety signs.







Always follow the instructions provided in this user manual.

-  **DANGER** Indicates an imminently hazardous situation which, if not avoided, will result in death or serious injury.
-  **WARNING** Indicates a potentially hazardous situation which, if not avoided, could result in death or serious injury.
-  **CAUTION** Indicates a potentially hazardous situation, which, if not avoided, may result in minor or moderate injury.
-  **Attention** Indicates important information for the correct operation and use of the product.
-  **Important** Read and observe the instructions in this document.
-  **Electrical hazard**
-  **Hot surface**
-  **Eye damage hazard**
-  Provides important information about the disposal of this product.

### 1.7. Symbols on the Information Label

This product is provided with an information label. The information label is located at the backside of the device.

The information label contains the following symbols:

-  This device is designed for indoor use.
-  This device shall not be treated as household waste.
-  Replace any cracked protective shield.
-  Minimum distance from lighted objects.
-  Minimum distance from other objects.
-  Caution: Risk of electric shock. Disconnect input power before opening.  
Warning: This appliance must be earthed.

## 2. Safety



### Important

**Read and follow the instructions in this user manual before installing, operating or servicing this product.**

The manufacturer will not accept liability for any resulting damages caused by the non-observance of this manual.

### 2.1. Warnings and Safety Instructions



#### DANGER

**Danger for children**

For adult use only. The device must be installed beyond the reach of children.

- Do not leave various parts of the packaging (plastic bags, polystyrene foam, nails, etc.) within children's reach. Packaging material is a potential source of danger for children.



#### DANGER

**Electric shock caused by dangerous voltage inside**

There are areas within the device where dangerous touch voltage may be present.

- Do not open the device or remove any covers.
- Do not operate the device if the covers or the housing are open. Before operation, check if the housing is firmly closed and all screws are tightly fastened.
- Disconnect the device from electrical power supply before service and maintenance, and when the device is not in use.



#### DANGER

**Electric shock caused by short-circuit**

This device falls under IEC protection class I.

- Make sure that the device is electrically connected to ground (earth). Connect the device only to a socket-outlet with ground (earth) connection.
- Do not cover the ground (earth) connection.
- Do not bypass the thermostatic switch or fuses.
- Do not let the power cable come into contact with other cables. Handle the power cable and all connections with the mains with caution.
- Do not modify, bend, mechanically strain, put pressure on, pull or heat up the power cable.
- Make sure that the power cable is not crimped or damaged. Examine the power cable periodically for any defects.
- Do not immerse the device in water or other liquids. Do not install the device in a location where flooding may occur.
- Do not use the device during thunderstorms. Disconnect the device from the electrical power supply immediately.



**WARNING**  
**Risk of burns due to hot surface**

The surface and the inner parts of the device can become very hot during operation.

- Do not touch the device during operation.
- Allow the device to cool down for at least 15 minutes before handling.



**WARNING**  
**Risk of epileptic shock**

Strobe lighting can trigger seizures in photosensitive epilepsy. Sensitive persons should avoid looking at strobe lights.



**WARNING**  
**Possible eye damage caused by high light intensity**

Possibly hazardous optical radiation emitted from this device.

- Do not look at the operating light source. May be harmful to the eye.
- Do not look at the light source with optical instruments that may concentrate the light output.
- Make sure that persons are not looking directly into the light source when the device lights up suddenly. This can happen when the device is powered or when it receives DMX signal, or when certain menu items are selected.
- Disconnect power supply before servicing.
- Wear protective goggles if looking into light source during service or maintenance.



**Attention**  
**Power supply**

- Before connecting the device to the power supply, make sure that the current, voltage and frequency match the input voltage, current and frequency specified on the information label on the device.
- Make sure that the cross-sectional area of the extension cords and power cables is sufficient for the required power consumption of the device.



**Attention**  
**General safety**

- Do not insert objects into the air vents.
- Do not connect the device to a dimmer pack.
- Do not switch the device on and off in short intervals. This decreases the device's life.
- Do not shake the device. Avoid brute force when installing or operating the device.
- Change the lens or the LEDs if they are visibly damaged to such an extent that their effectiveness is impaired, for example by cracks or deep scratches. Contact your Highlight International dealer for more information, as servicing can be performed only by instructed or skilled persons.
- If the device is dropped or struck, disconnect the device from the electrical power supply immediately.



- If the device is exposed to extreme temperature variations (e.g. after transportation), do not switch it on immediately. Let the device reach room temperature before switching it on, otherwise it may be damaged by the formed condensation.
- If the device fails to work properly, discontinue the use immediately.



**Attention**  
**For professional use only**  
**This device shall be used only for the purposes it is designed for.**

This device is designed to be used as a professional stage light effect. Any incorrect use may lead to hazardous situations and result in injuries and material damage.

- This device is not suitable for households and for general lighting.
- This device is not designed for permanent operation.
- This device does not contain user-serviceable parts. Unauthorized modifications to the device will render the warranty void. Such modifications may result in injuries and material damage.



**Attention**  
**Before each use, examine the device visually for any defects.**

Make sure that:

- All screws used for installing the device or parts of the device are tightly fastened and are not corroded.
- The safety devices are not damaged.
- There are no deformations on housings, fixations and installation points.
- The lens is not cracked or damaged.
- The power cables are not damaged and do not show any material fatigue.



**Attention**  
**Do not expose the device to conditions that exceed the rated IP class conditions.**

This device is IP20 rated. IP (Ingress Protection) 20 class provides protection against solid objects greater than 12 mm, such as fingers, and no protection against harmful ingress of water.

## 2.2. Requirements for the User

This product may be used by ordinary persons. Maintenance may be carried by ordinary persons. Installation and service shall be carried out only by instructed or skilled persons. Contact your Highlite International dealer for more information.

Instructed persons have been instructed and trained by a skilled person, or are supervised by a skilled person, for specific tasks and work activities associated with the installation, service and maintenance of this product, so that they can identify risks and take precautions to avoid them.

Skilled persons have training or experience, which enables them to recognize risks and to avoid hazards associated with the installation, service and maintenance of this product.

Ordinary persons are all persons other than instructed persons and skilled persons. Ordinary persons include not only users of the product but also any other persons that may have access to the device or who may be in the vicinity of the device.

### 3. Description of the Device

The Infinity TFLD-7 is a compact floodlight suitable for indoor venues. It features a custom-designed 7-color LED array which produces 64 theatrical colors for the perfect floodlight effect.

#### 3.1. Front View

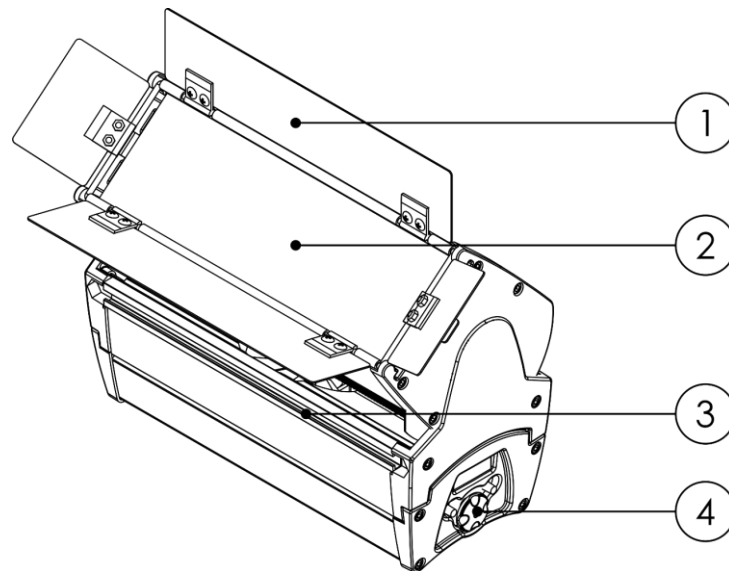


Fig. 02

- 01) Integrated barndoor
- 02) Beam shaper
- 03) Mounting groove
- 04) Control panel: LCD display and control buttons

#### 3.2. Back View

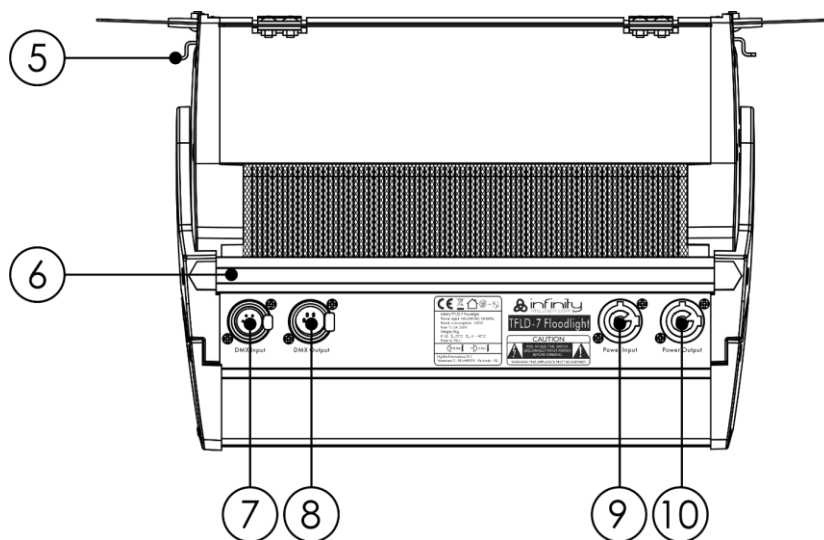


Fig. 03

- 05) 2 x Beam shaper locks
- 06) Mounting groove
- 07) 5-pin DMX signal connector IN
- 08) 5-pin DMX signal connector OUT
- 09) Neutrik powerCON connector IN (Blue)
- 10) Neutrik powerCON connector OUT (Gray)

### 3.3. Product Specifications

Model:	TFLD-7 Floodlight
<b>Electrical:</b>	
Input voltage:	100–240 V AC, 50/60 Hz
Power consumption:	160 W (max)
Fuse:	T1,2 A, 250 V AC
Power factor:	0,96
<b>Physical:</b>	
Dimensions:	318 x 136 x 239 mm (L x W x H)
Weight:	5,34 kg (with the integrated barndoor and the beam shaper)
<b>Movement:</b>	
Tilt adjustment:	170° (manual)
<b>Optics:</b>	
Light source:	150 W Lumileds 7-color LED engine
Dimmer:	0–100 %
Strobe:	0–20 Hz
Beam angle:	40° (supplied accessory), 60° (supplied accessory), 90° (optional accessory)
Light quality:	> 96 CRI (High CRI Mode)
Luminous flux:	3000 lm
Color temperature:	2000–8000 K
<b>Operation and control:</b>	
Control:	DMX-512, RDM, manual
DMX channels:	Dimmer (1 channel), Basic (5 channels), Tungsten (6 channels), HSI Pro (10 channels), RGB Pro (10 channels), CMY Pro (10 channels), RAW (20 channels)
Control panel:	LCD display, control buttons and control wheel
<b>Connections:</b>	
Power connections:	Neutrik powerCON connectors IN/OUT
Data connections:	5-pin DMX connectors IN/OUT
Signal pinouts:	Pin 1 (ground), pin 2 (-), pin 3 (+), pin 4 (N/C), pin 5 (N/C)
<b>Construction:</b>	
Housing:	Machined aluminum, sheet metal, molded engineering grade plastics
Color:	Black
IP rating:	IP20
Cooling:	Internal fan (Silent, Auto, and Full modes)
<b>Thermal:</b>	
Maximum ambient temperature $t_a$ :	40 °C
Maximum housing temperature $t_c$ :	70 °C
<b>Minimum distance:</b>	
Minimum distance from flammable surfaces:	0,8 m
Minimum distance to lighted object:	0,8 m

3.4. Dimensions

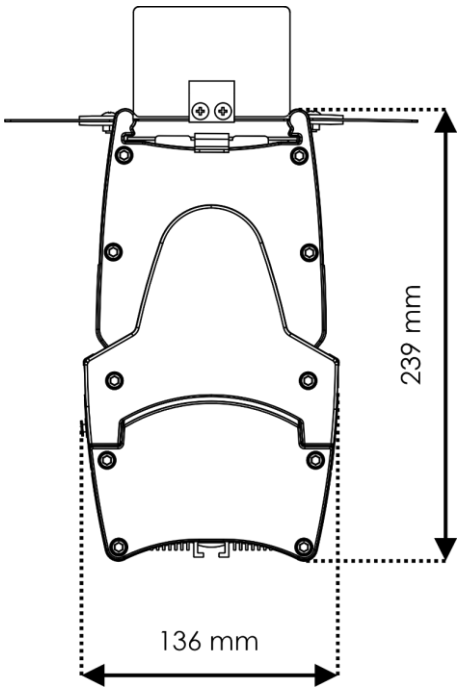


Fig. 04

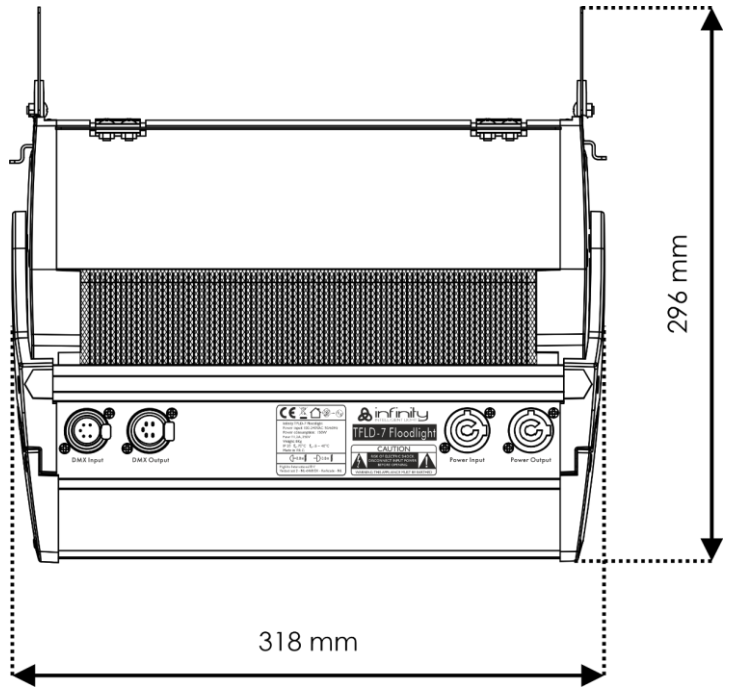


Fig. 05

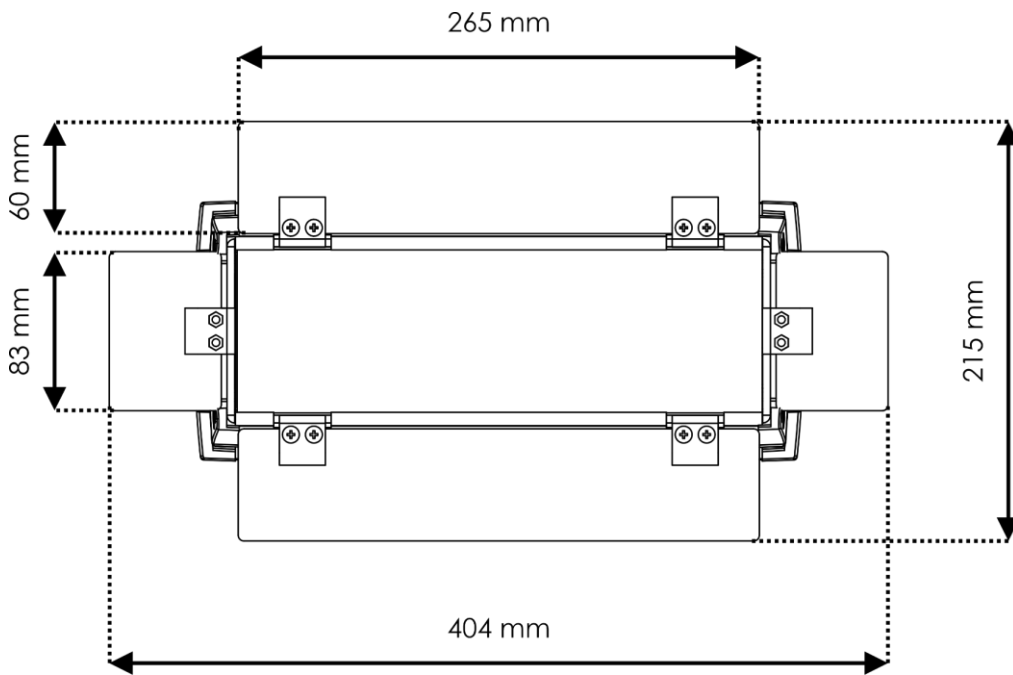


Fig. 06

## 4. Installation

### 4.1. Safety Instructions for Installation



**WARNING**

**Incorrect installation can cause serious injuries and damage of property.**

If trussing systems are used, installation must be carried out only by instructed or skilled persons.

Follow all applicable European, national and local safety regulations concerning rigging and trussing.

### 4.2. Personal Protective Equipment

During installation and rigging wear personal protective equipment in compliance with the national and site-specific regulations.

### 4.3. Installation Site Requirements

- The device can be used only indoors.
- The device can be mounted to a truss or another rigging structure in any orientation.
- The device can be placed on flat surface.
- The minimum distance to other objects must be bigger than 0,8 m.
- The maximum ambient temperature  $t_a = 40\text{ °C}$  must never be exceeded.
- The relative humidity must not exceed 50 % with an ambient temperature of 40 °C.

### 4.4. Rigging

The device can be positioned on a flat surface or mounted to a truss or other rigging structure in any orientation. Make sure that all loads are within the pre-determined limits of the supporting structure.

The device has 3 mounting grooves, located at the front, at the back and on the bottom, as shown in Fig. 07. The device is delivered with a mounting bracket set and a safety bracket set, see Fig. 08.

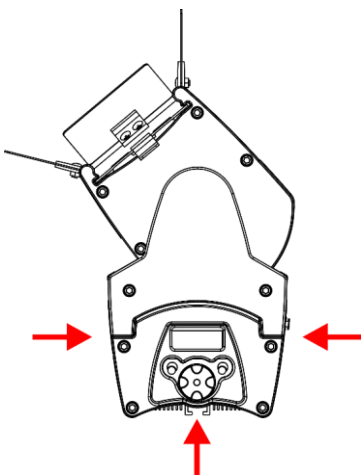
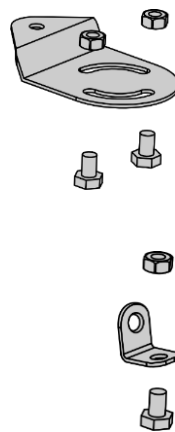


Fig. 07



Mounting bracket set:

- 1 x Mounting bracket
- 2 x Mounting screws
- 2 x Hex nuts

Safety bracket set:

- 1 x Safety bracket
- 1 x Hex nut
- 1 x Mounting screw

Fig. 08



**CAUTION**

**Restrict the access under the work area during rigging and/or derigging.**

To mount the device, follow the steps below:

- 01) Slide the 3 mounting screws in the **mounting groove (03)**, as shown in Fig. 09.
- 02) Place the mounting bracket and the safety bracket on the mounting screws, so that the mounting screws fit into the respective openings, as shown in Fig. 09.
- 03) Adjust the position of the mounting bracket.
- 04) Fasten the mounting bracket and the safety bracket in position with the 3 hex nuts.
- 05) Install the clamp, as shown in Fig. 10. Make sure that you use a clamp suitable for attaching the device to a truss.

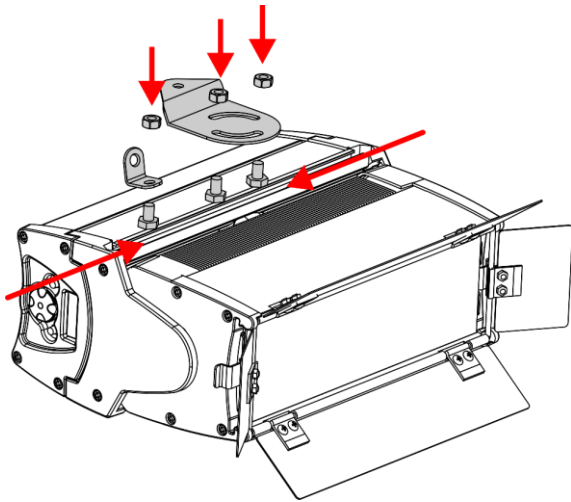


Fig. 09

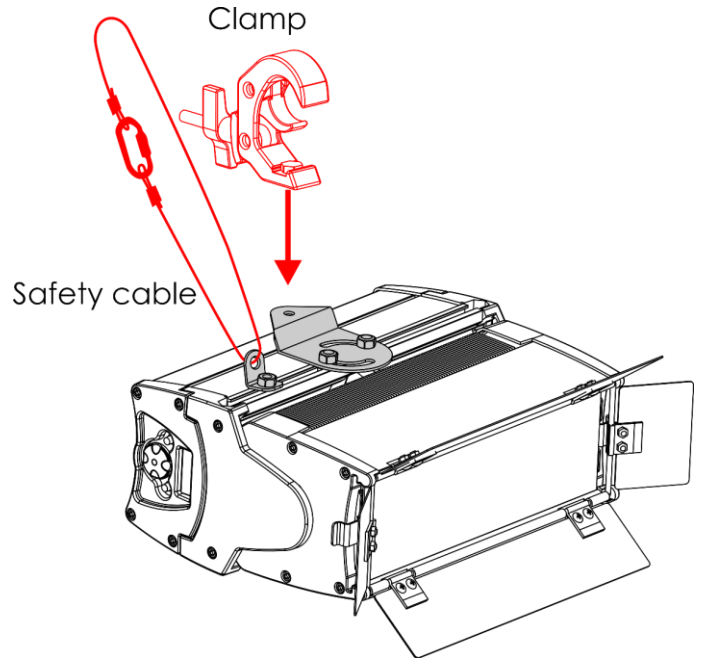


Fig. 10

- 06) Attach the device to the supporting structure. Make sure that the device cannot move freely.
- 07) Secure the device with the delivered safety cable. If possible, the safety cable should be attached to a supporting structure independent of the primary suspension. Put the safety cable through the opening on the safety bracket, as shown in Fig. 10.

After mounting is completed, you can adjust the angle of the device (see Fig. 11) and the position of the barndoor. The tilting angle of the device is 170°. To quickly start the device, you can turn on focus mode. See **6.2.1. Focus Mode** on page 19 for more information.

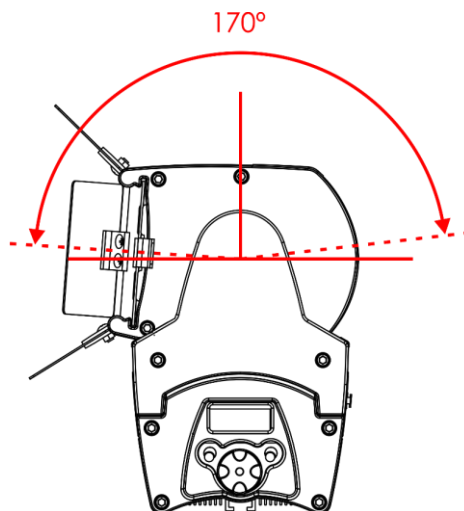


Fig. 11

#### 4.5. Beam Shaper Installation

The TFLD-7 Floodlight is delivered with 2 beam shapers (40° and 60°). You can order an additional 90° beam shaper. Contact your Highlite International dealer for more information.

To install the beam shaper follow the steps bellow:

- 01) Press one of the **beam shaper locks (05)** and at the same time slide the beam shaper out of the device, as shown in Fig. 12.
- 02) Take the other beam shaper.
- 03) Press the **beam shaper lock (05)** and at the same time slide the beam shaper in its place, as shown in Fig. 13.
- 04) Release the **beam shaper lock (05)** to lock the beam shaper in its place.

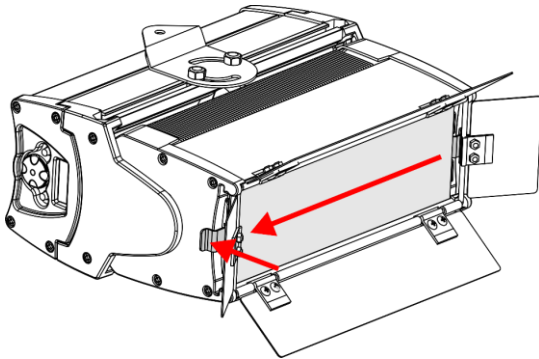


Fig. 12

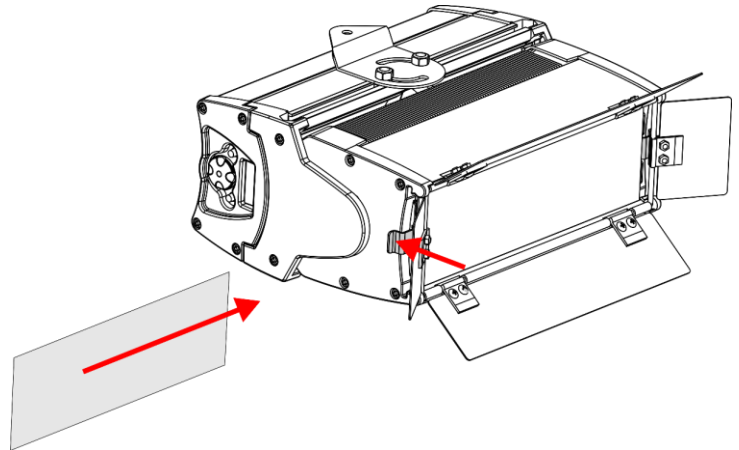


Fig. 13

## 4.6. Connecting to Power Supply



**DANGER**  
Electric shock caused by short-circuit

The device accepts AC mains power at 100–240 V and 50/60 Hz. Do not supply power at any other voltage or frequency to the device.

This device falls under IEC protection class I. Make sure that the device is always electrically connected to the ground (earth).

Before connecting the device to the socket-outlet:

- Make sure that the power supply matches the input voltage specified on the information label on the device.
- Make sure that the socket-outlet has ground (earth) connection.

Connect the device to the socket-outlet with the power plug. Do not connect the device to a dimmer circuit, as this may damage the device.

## 4.7. Power Linking of Multiple Devices

This device supports power linking. Power can be relayed to another device via the power OUT connector. Note that the input and the output connectors have different designs: one type cannot be connected to the other.

Power linking of multiple devices must be carried out only by instructed or skilled persons.



**WARNING**  
Incorrect power linking may lead to overload of the electrical circuit and result in serious injuries and damage of property.

To prevent overload of the electrical circuit, when power linking multiple devices:

- Use cables with sufficient current-carrying capacity. The power cable supplied with the device is not suitable for power linking of multiple devices.
- Make sure that the total current draw of the device and all connected devices does not exceed the rated capacity of the power cables and the circuit breaker.
- Do not link more devices on one power link than the maximum recommended number.

Maximum recommended number of devices:

- at 100–120 V: 8 devices TFLD-7 Floodlight
- at 200–240 V: 15 devices TFLD-7 Floodlight



## 5. Setup

---

### 5.1. Warnings and Precautions



**Attention**

**Connect all data cables before supplying power.**

**Disconnect power supply before connecting or disconnecting data cables.**

### 5.2. Stand-alone Setup

When the TFLD-7 Floodlight is not connected to a DMX controller, it functions as a stand-alone device in manual control mode.

For more information about the control modes, refer to **6.2. Control Modes** on page 19.

### 5.3. DMX Connection

#### 5.3.1. DMX-512 Protocol

You need a DMX serial data link to run light shows of one or more devices using a DMX-512 controller.

The TFLD-7 Floodlight has 5-pin DMX signal IN and OUT connectors.

The pin assignment is as follows: pin 1 (ground), pin 2 (-), pin 3 (+), pin 4 (N/C), pin 5 (N/C).

Devices on a serial data link must be daisy-chained in a single line. The number of devices that you can control on one data link is limited by the combined number of the DMX channels of the connected devices and the 512 channels available in one DMX universe.

To comply with the TIA-485 standard, no more than 32 devices should be connected on one data link. In order to connect more than 32 devices on one data link, you must use a DMX optically isolated splitter/booster, otherwise this may result in deterioration of the DMX signal.

**Note:**

- Maximum recommended DMX data link distance: 300 m
- Maximum recommended number of devices on a DMX data link: 32 devices

### 5.3.2. DMX Cables

Shielded twisted-pair cables with 5-pin XLR connectors must be used for reliable DMX connection. You can purchase DMX cables directly from your Highlite International dealer or make your own cables.

If you use XLR audio cables for DMX data transmission, this may lead to signal degradation and unreliable operation of the DMX network.

When you make your own DMX cables, make sure that you connect the pins and wires correctly as shown in Fig. 14.

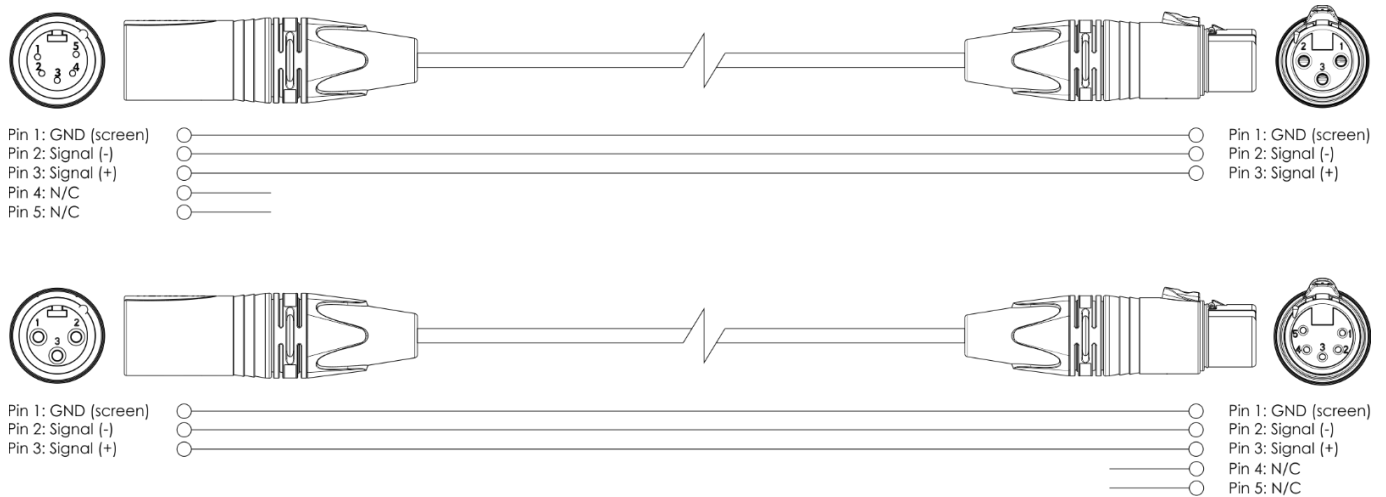


Fig. 14

### 5.3.3. DMX Linking

To connect multiple devices on one DMX data link, follow the steps below:

- 01) Use a 5-pin DMX cable to connect the DMX OUT connector of the lighting controller to the DMX IN connector of the first device.
- 02) Connect the first device's DMX OUT connector to the second device's DMX IN connector with a 5-pin DMX cable.
- 03) Repeat step 2 to connect all devices in a daisy-chain as shown in Fig. 15.
- 04) Connect a DMX terminator (120 Ω resistor) to the DMX OUT connector of the last device on the data link.

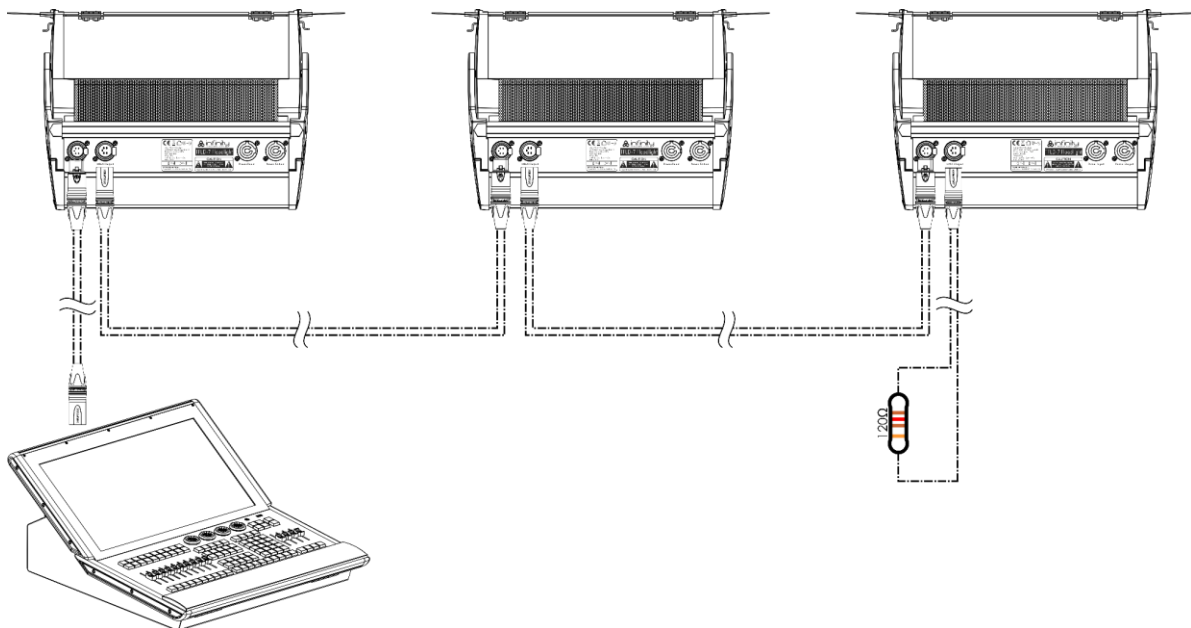


Fig. 15

### 5.3.4. DMX Addressing

In a setup with multiple devices, make sure that you set the DMX starting address of each device correctly. The TFLD-7 Floodlight has 7 DMX channel modes: Dimmer (1 channel), Basic (5 channels), Tungsten (6 channels), HSI Pro (10 channels), RGB Pro (10 channels), CMY Pro (10 channels), and RAW (20 channels).

If you want to connect multiple devices on one data link and use them in 20-channel mode, for example, follow the steps below:

- 01) Set the starting address of the 1<sup>st</sup> device on the data link to 1 (001).
- 02) Set the starting address of the 2<sup>nd</sup> device on the data link to 21 (021), as  $1 + 20 = 21$ .
- 03) Set the starting address of the 3<sup>rd</sup> device on the data link to 41 (041), as  $21 + 20 = 41$ .
- 04) Continue assigning the starting addresses of the remaining devices by adding each time 20 to the previous number.

Make sure that you do not have any overlapping channels in order to control each TFLD-7 Floodlight correctly. If two or more devices are addressed similarly, they will work similarly.

## 6. Operation

### 6.1. Safety Instructions for Operation



**Attention**

This device must be used only for the purposes it is designed for.

This device is intended for professional use as a floodlight. It is suitable only for indoor installation. This device is not suitable for households and for general lighting.

Any other use, not mentioned under intended use, is regarded as non-intended and incorrect use.



**Attention**

**Power supply**

Before connecting the device to the power supply, make sure that the current, voltage and frequency match the input voltage, current and frequency specified on the information label on the device.

### 6.2. Control Modes

The TFLD-7 Floodlight can be operated with a DMX controller and as a stand-alone device.

The TFLD-7 Floodlight supports the following control modes:

- Stand-alone: Manual operation
- DMX-512: Dimmer (1 channel), Basic (5 channels), Tungsten (6 channels), HSI Pro (10 channels), RGB Pro (10 channels), CMY Pro (10 channels), RAW (20 channels)

For more information about how to connect the devices, refer to **5. Setup** on pages 16–18.

To operate the device manually as a stand-alone device:

- 01) Select Manual Mode in the main menu. See **6.6.3. Manual Mode** on page 24 for more information.
- 02) Adjust the dimmer and color temperature settings, or select a color preset.

To operate the device with a DMX controller:

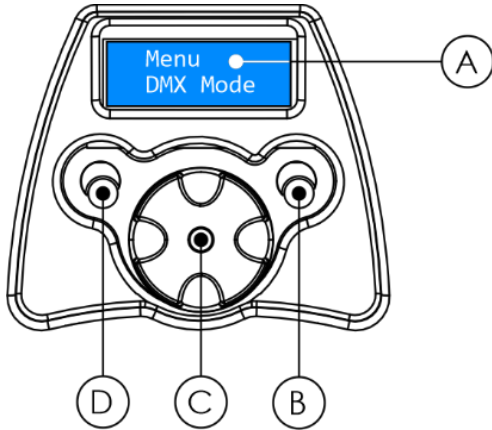
- 01) Set the DMX starting address of the device in the DMX Address submenu. See **5.3.4. DMX Addressing** on page 18 and **6.6.2. DMX Address** on page 23.
- 02) Select the DMX channel mode. See **6.6.1. DMX Channel Mode** on page 23 for more information. See **6.7. DMX Channels** on pages 29–38 for complete overview of all DMX channels.

#### 6.2.1. Focus Mode

With focus mode you can quickly and easily start the device. This can be helpful if you want to adjust the beam angle and the position of the barn door during installation of the device. In focus mode the LEDs remain on for 3 min with light output at 3200 K.

- 01) Press and hold down the **BACK/HOME** button for 3 s. The focus mode will be activated.
- 02) Press the **BACK/HOME** button again to exit the focus mode. If no button is pressed, the device will automatically exit focus mode after 3 min.

### 6.3. Control Panel



- A) LCD display
- B) BACK/HOME button
- C) Control wheel
  - UP/DOWN function – turn the control wheel
  - ENTER function – press the control wheel
- D) MENU button

Fig. 16

- Press the **BACK/HOME** button once to exit the current submenu and to return to the start screen. Press the **BACK/HOME** button once again to return to the current submenu.
- Turn the **CONTROL** wheel (**UP/DOWN** function) to navigate through the menus or to increase/decrease numeric values. Press the **CONTROL** wheel (**ENTER** function) to open the desired menu, to confirm your choice or to set the currently selected value.
- Press the **MENU** button once to exit the current submenu and go one level up. Press the **MENU** button once again to return to the main menu.

### 6.4. Start-up

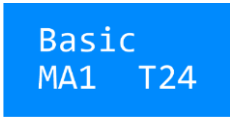
Upon start-up the display will show a splash screen with the name of the device:



Immediately afterwards the display will show the start screen. The start screen provides information about the control mode, the DMX channel mode, the DMX starting address of the device and the temperature of the LEDs, for example:



Basic DMX mode with starting address 001



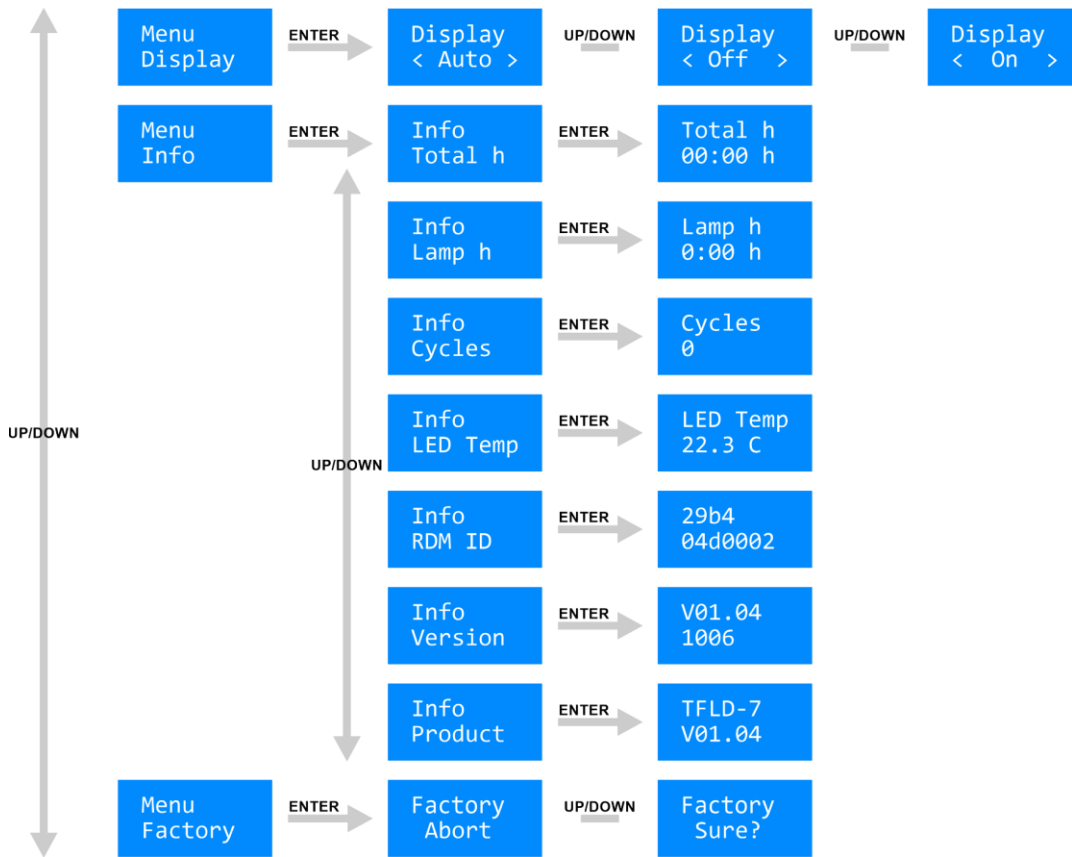
Manual mode with last active Basic DMX mode and starting address 001

**Note:** If no button is pressed, after 20 seconds of inactivity the display will return to the start screen and after 10 more seconds it will turn off. Press any button to turn the display on. See **6.6.12. Display** on page 27 for more information.

### 6.5. Menu Overview



# TFLD-7 Floodlight



## 6.6. Main Menu Options

The main menu has the following options:

Menu DMX Mode	DMX channel mode	Menu DMX Lost	DMX lost
Menu DMX Addr	DMX address	Menu Fan Mode	Fan mode
Menu Manual	Manual mode	Menu PWM Freq	PWM frequency
Menu DimCurve	Dimmer Curve	Menu Calib.	Calibration
Menu DimSpeed	Dimmer Speed	Menu Display	Display
Menu CCT Mode	CCT mode	Menu Info	Information
Menu Tungsten	Tungsten	Menu Factory	Factory reset

- 01) Turn the **CONTROL** wheel to navigate through the main menu.
- 02) Press the **CONTROL** wheel to open the submenus.

### 6.6.1. DMX Channel Mode

In this menu you can select the DMX channel mode.

- 01) Turn the **CONTROL** wheel to select the desired DMX channel mode. There are 7 options available:
  - Dimmer: 1 channel
  - Basic: 5 channels
  - Tungsten: 6 channels
  - RGB Pro: 10 channels
  - CMY Pro: 10 channels
  - HSI Pro: 10 channels
  - RAW: 20 channels
- 02) Press the **CONTROL** wheel to confirm the selection.

### 6.6.2. DMX Address

In this menu you can set the starting DMX address of the device.

- 01) Turn the **CONTROL** wheel to select the starting DMX address of the device. The selection range is between 1 and 512.



- 02) Press the **CONTROL** wheel to confirm the selection.



## 6.6.3. Manual Mode

In this menu you can control the device manually.

01) Turn the **CONTROL** wheel to select one of the parameters. There are 3 options available:

- Dimmer: Dimmer adjustment from 0 % to 100 %
- CCT: Set the color temperature. The adjustment range is between 2000 K and 8000 K at steps of 10 K
- Color: See **6.6.3.1. Color**

02) Press the **CONTROL** wheel to confirm the selection.

### 6.6.3.1. Color

In this submenu you can select one of the 64 color presets or white.

01) Turn the **CONTROL** wheel to scroll through all available colors:

L000	White	L119	Dark Blue	L169	Lilac Tint
L004	Medium Bastard Amber	L120	Deep Blue	L170	Deep Lavender
L019	Fire	L121	Lee Green	L172	Lagoon Blue
L026	Bright Red	L122	Fern Green	L179	Chrome Orange
L058	Lavender	L124	Dark Green	L180	Dark Lavender
L068	Sky Blue	L128	Bright Pink	L181	Congo Blue
L079	Just Blue	L132	Medium Blue	L197	Alice Blue
L088	Lime Green	L134	Golden Amber	L201	Full CT Blue
L090	Dark Yellow Green	L135	Deep Golden Amber	L202	Half CT Blue
L100	Spring Yellow	L136	Pale Lavender	L203	Quarter CT Blue
L101	Yellow	L137	Special Lavender	L204	Full CT Orange
L102	Light Amber	L138	Pale Green	L205	Half CT Orange
L103	Straw	L139	Primary Green	L206	Quarter CT Orange
L104	Deep Amber	L141	Bright Blue	L247	LEE Minus Green
L105	Orange	L147	Apricot	L248	Half Minus Green
L106	Primary Red	L148	Bright Rose	L281	Three Quarter CT Blue
L111	Dark Pink	L152	Pale Gold	L285	Three Quarter CT Orange
L113	Magenta	L157	Pink	L328	Follies Pink
L115	Peacock Blue	L158	Deep Orange	L353	Lighter Blue
L116	Medium Blue Green	L162	Bastard Amber	L778	Millennium Gold
L117	Steel Blue	L164	Flame Red	L793	Vanity Fair
L118	Light Blue	L165	Daylight Blue		

02) Press the **CONTROL** wheel to confirm the selected color.

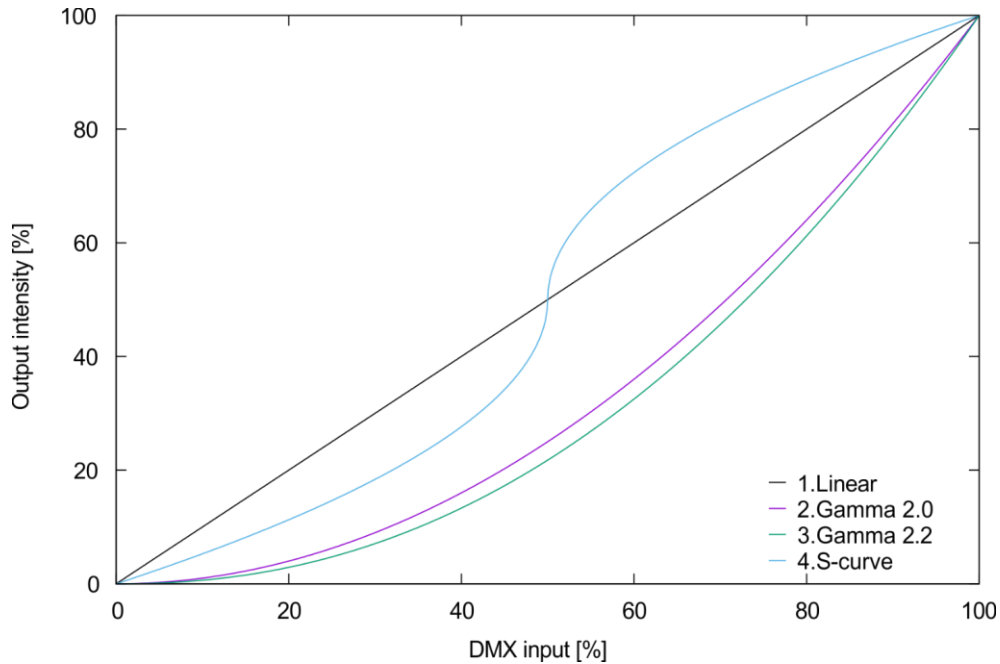
### 6.6.4. Dimmer Curve

In this menu you can adjust the dimmer curve settings.

01) Turn the **CONTROL** wheel to select one of the 4 available options: Linear, G2.0 (Gamma-2.0), G2.2 (Gamma-2.2) and S-Curve.



02) Press the **CONTROL** wheel to confirm the selection.



### 6.6.5. Dimmer Speed

In this menu you can adjust the dimmer speed settings.

01) Turn the **CONTROL** wheel to select one of the 4 available options: Auto, Slow, Medium, Fast.



02) Press the **CONTROL** wheel to confirm the selection.

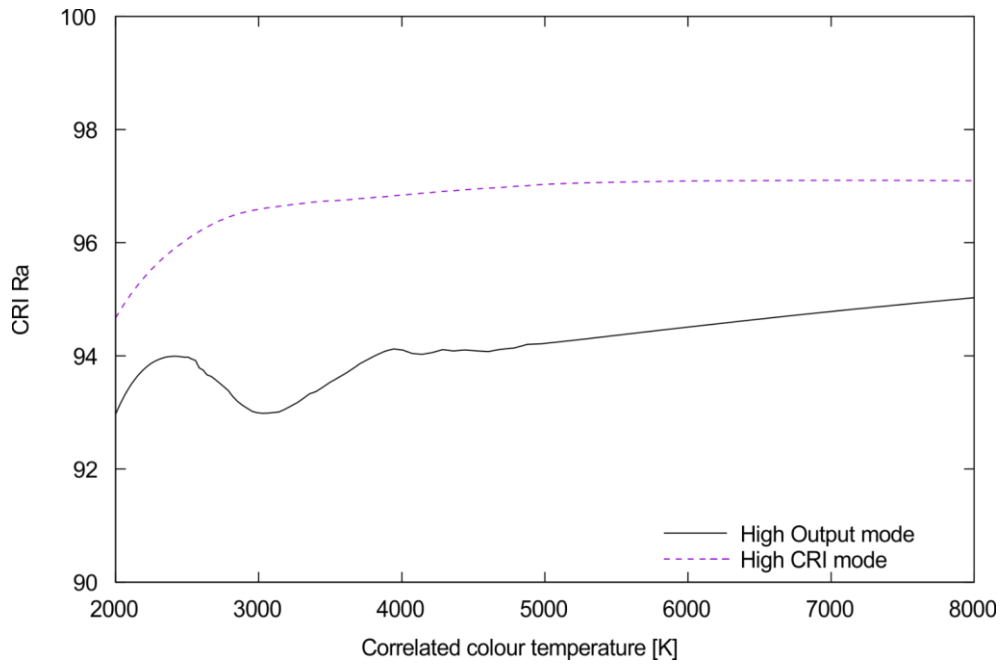
### 6.6.6. CCT Mode

In this menu you can adjust the CCT (Correlated Color Temperature) parameters.

01) Turn the **CONTROL** wheel to toggle between the following 2 options:



- CRI: The device will reach a CRI between 96 and 97,7 at 3000 K
- Output: The CRI will be reduced to 93 and depending on the color temperature the brightness of the light output will increase with 20-30 %



02) Press the **CONTROL** wheel to confirm the selection.

### 6.6.7. Tungsten

In this menu you can select Tungsten simulation at different outputs.

01) Turn the **CONTROL** wheel to select one of the 4 available options: 575 W, 750 W, 1000 W, 2000 W.



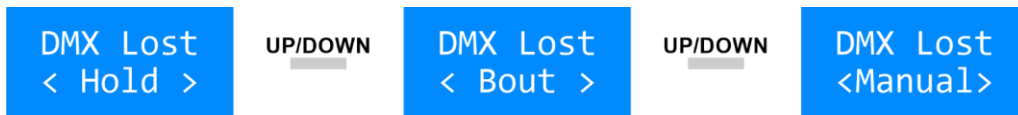
02) Press the **CONTROL** wheel to confirm the selection.

**Note:** If you select Tungsten simulation mode, the device will use custom dimmer curve and dimmer speed parameters. It is not possible to adjust the dimmer curve and the dimmer speed if Tungsten mode is selected.

### 6.6.8. DMX Lost

In this menu you can determine the behavior of the device in case there is no DMX signal.

01) Turn the **CONTROL** wheel to select one of the following 3 options:



- Hold: The device will use the last properly received DMX signal
- Bout (Blackout): The device will black out the light output
- Manual: The device will use the last working manual settings selected in manual mode. See **6.6.3. Manual Mode** on page 24 for more information

02) Press the **CONTROL** wheel to confirm the selection.

### 6.6.9. Fan Mode

In this menu you can adjust the speed of the fan.

01) Turn the **CONTROL** wheel to select one of the following 3 options: Auto, Silent, Full.



02) Press the **CONTROL** wheel to confirm the selection.

### 6.6.10. PWM Frequency

In this menu you can adjust the PWM Frequency.

01) Turn the **CONTROL** wheel to set the PWM (pulse-width modulation) frequency. The adjustment range is between 1100 Hz and 1600 Hz at steps of 10 Hz.

02) Press the **CONTROL** wheel to confirm the selection.

### 6.6.11. Calibration

In this menu you can enable the built-in calibration. The built-in calibration guarantees that the color rendering, the color temperature and the brightness of the LEDs remain the same despite differences in the temperature of the LEDs or in the electronics (for different production runs or different devices within the Signature series).

01) Turn the **CONTROL** wheel to toggle between the following 2 options:



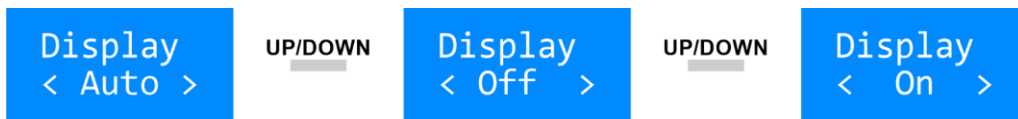
- Enable: The calibration will be activated. It is recommended to use this setting
- Disable: The calibration will be disabled

02) Press the **CONTROL** wheel to confirm the selection.

### 6.6.12. Display

In this menu you can adjust the display settings of the device.

01) Turn the **CONTROL** wheel to select one of the following 3 options:



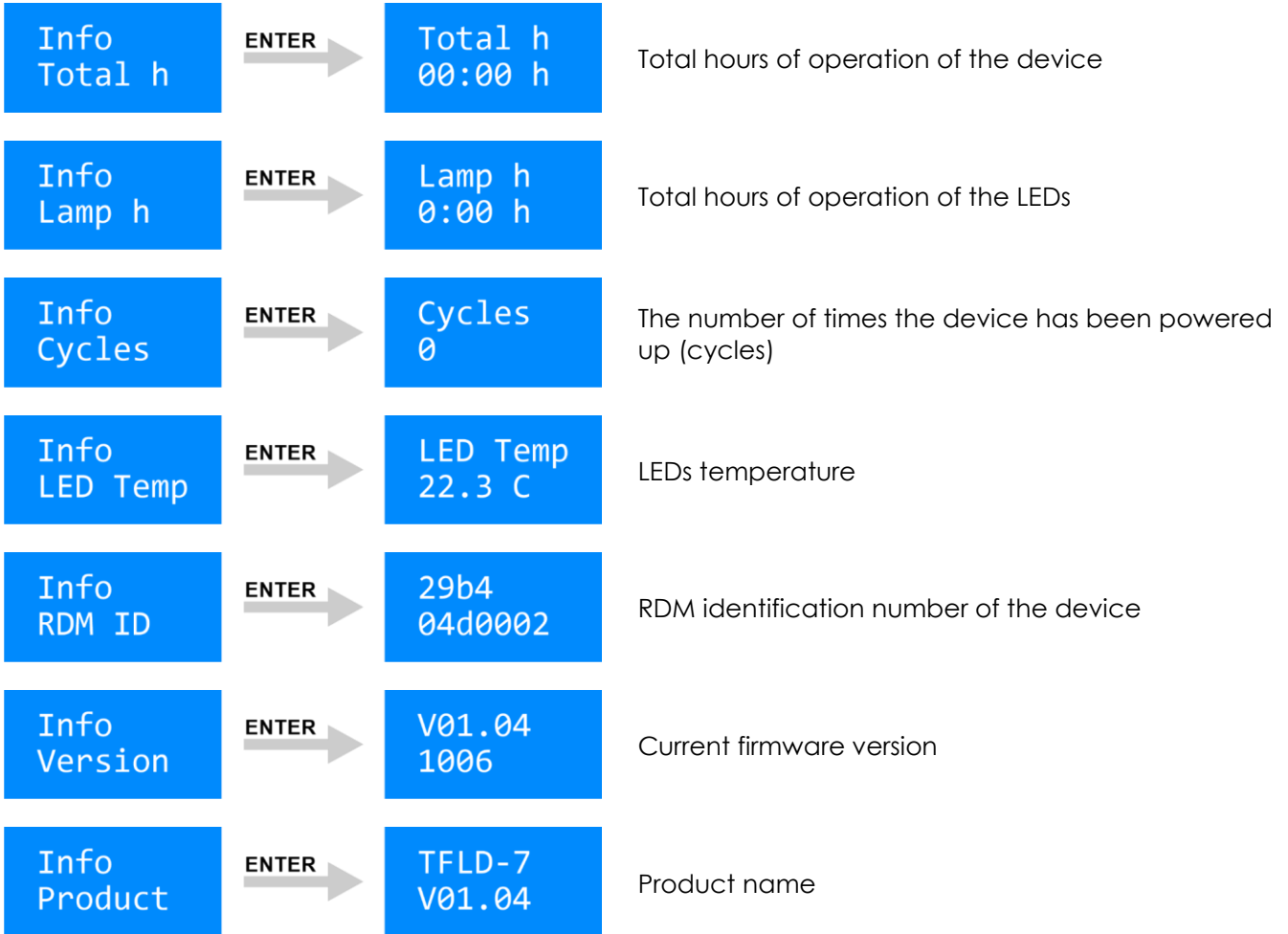
- Auto: The display will return to the start screen after 20 seconds of inactivity. After 10 more seconds of inactivity the backlight of the display will turn off. If the DMX signal is lost, the display will start blinking
- Off: The display will return to the start screen after 20 seconds of inactivity. After 10 more seconds of inactivity the backlight of the display will turn off and will remain off.
- On: The backlight of the display will stay on

02) Press the **CONTROL** wheel to confirm the selection.

**6.6.13. Info**

In this menu you can view the device's parameters.

01) Turn the **CONTROL** wheel to select one of the 7 available options:



02) Press the **CONTROL** wheel to confirm the selection and to view the parameter information.

**6.6.14. Factory**

In this menu you can reset the device's settings to the default factory settings.

01) Turn the **CONTROL** wheel to toggle between the following 2 options:



- Abort: Cancel the reset of the device
- Sure?: Perform the reset of the device to its default factory settings

02) Press the **CONTROL** wheel to confirm your choice.

## 6.7. DMX Channels

### 6.7.1. DMX Channels Overview

Function	Dimmer 1 CH	Basic 5 CH	Tungsten 6 CH	RGB Pro 10 CH	CMY Pro 10 CH	HSI Pro 10 CH	RAW 20 CH
Dimmer Coarse	1	1	1	1	1	1	1
Dimmer Fine			2	2	2	2	2
Shutter/Strobe		2	3	3	3	3	3
CCT		3		4	4	4	
Hue Coarse						5	
Hue Fine						6	
Saturation						7	
Red Coarse				5			4
Red Fine							5
Amber Coarse							6
Amber Fine							7
Lime Coarse							8
Lime Fine							9
Green Coarse				6			10
Green Fine							11
Cyan Coarse					5		12
Cyan Fine							13
Blue Coarse				7			14
Blue Fine							15
Deep Blue Coarse							16
Deep Blue Fine							17
Magenta					6		
Yellow					7		
Color Wheel		4	4	8	8	8	18
CW Crossfade Time		5	5	9	9	9	19
Control Mode			6	10	10	10	20

### Crossfading

To crossfade between 2 colors selected with the Color Wheel channel:

- 01) Select color 1 in the Color Wheel Channel.
- 02) Select the cross fade time in the CW Crossfade Time channel.
- 03) Select color 2 in the Color Wheel Channel. The device will transition now from color 1 to color 2 for the time, set in the CW Crossfade Time channel.

**Note:** Make sure that the Master Dimmer channel and the Shutter/Strobe channel are open in order to see the light output.

6.7.2. Dimmer (1 Channel), Basic (5 Channels), Tungsten (6 Channels)

Dimmer 1 CH	Basic 5 CH	Tungsten 6 CH	Function	Value	Setting	
1	1	1	<b>Dimmer Coarse</b>	000-255	From low to high intensity (0-100 %)	
		2	<b>Dimmer Fine</b>	000-255	From low to high intensity (0-100 %)	
	2	3	<b>Shutter/Strobe</b>	000-005	Closed (No light output)	
				006-249	Strobe, from low to high frequency	
				250-255	Open	
	3		<b>CCT</b>	000-096	2000-2800 K	
				097-098	2800 K	
				099-112	2800-3000 K	
				113-114	3000 K	
				115-126	3000-3200 K	
				127-129	3200 K	
				130-169	3200-4000 K	
				170-171	4000 K	
				172-218	4000-5600 K	
				219-220	5600 K	
				221-226	5600-6000 K	
				227-228	6000 K	
				229-254	6000-8000 K	
			255	8000 K		
	4	4	<b>Color Wheel</b>	000-007	No function	
				008-010	Medium Bastard Amber	L004
				011-013	Fire	L019
				014-016	Bright Red	L026
				017-019	Lavender	L058
				020-022	Sky Blue	L068
				023-025	Just Blue	L079
				026-028	Lime Green	L088
				029-031	Dark Yellow Green	L090
				032-034	Spring Yellow	L100
				035-037	Yellow	L101
				038-040	Light Amber	L102
				041-043	Straw	L103
				044-046	Deep Amber	L104
				047-049	Orange	L105
				050-052	Primary Red	L106
				053-055	Dark Pink	L111
				056-058	Magenta	L113
				059-061	Peacock Blue	L115
				062-064	Medium Blue Green	L116
				065-067	Steel Blue	L117
				068-070	Light Blue	L118
				071-073	Dark Blue	L119
				074-076	Deep Blue	L120
				077-079	Lee Green	L121
				080-082	Fern Green	L122
				083-085	Dark Green	L124
				086-088	Bright Pink	L128
				089-091	Medium Blue	L132
				092-094	Golden Amber	L134
				095-097	Deep Golden Amber	L135
				098-100	Pale Lavender	L136
				101-103	Special Lavender	L137
				104-106	Pale Green	L138

Dimmer 1 CH	Basic 5 CH	Tungsten 6 CH	Function	Value	Setting	
				107-109	Primary Green	L139
				110-112	Bright Blue	L141
				113-115	Apricot	L147
				116-118	Bright Rose	L148
				119-121	Pale Gold	L152
				122-124	Pink	L157
				125-127	Deep Orange	L158
				128-130	Bastard Amber	L162
				131-133	Flame Red	L164
				134-136	Daylight Blue	L165
				137-139	Lilac Tint	L169
				140-142	Deep Lavender	L170
				143-145	Lagoon Blue	L172
				146-148	Chrome Orange	L179
				149-151	Dark Lavender	L180
				152-154	Congo Blue	L181
				155-157	Alice Blue	L197
				158-160	Full CT Blue	L201
				161-163	Half CT Blue	L202
				164-166	Quarter CT Blue	L203
				167-169	Full CT Orange	L204
				170-172	Half CT Orange	L205
				173-175	Quarter CT Orange	L206
				176-178	LEE Minus Green	L247
				179-181	Half Minus Green	L248
				182-184	Three Quarter CT Blue	L281
				185-187	Three Quarter CT Orange	L285
				188-190	Follies Pink	L328
				191-193	Lighter Blue	L353
				194-196	Millennium Gold	L778
				197-199	Vanity Fair	L793
				200-255	Reserved	
	5	5	CW Crossfade Time	000	0 s	
				001	0,1 s	
				002	0,2 s	
				003	0,3 s	
				...	...	
				253	25,3 s	
				254	25,4 s	
				255	25,5 s	
		6	Control Mode	000-007	No function	
				008-015	Dimmer curve 1: Linear	
				016-023	Dimmer curve 2: Gamma 2.0	
				024-031	Dimmer curve 3: Gamma 2.2	
				032-039	Dimmer curve 4: S-curve	
				040-071	No function	
				072-079	Simulation source: Tungsten 575 W	
				080-087	Simulation source: Tungsten 750 W	
				088-095	Simulation source: Tungsten 1000 W	
				096-103	Simulation source: Tungsten 2000 W	
				104-111	PWM frequency: 1100 Hz	
				112-119	PWM frequency: 1200 Hz	
				120-127	PWM frequency: 1300 Hz	
				128-135	PWM frequency: 1400 Hz	
				136-143	PWM frequency: 1500 Hz	



Dimmer 1 CH	Basic 5 CH	Tungsten 6 CH	Function	Value	Setting
				144-151	PWM frequency: 1600 Hz
				152-159	Calibration disabled
				160-167	Calibration enabled
				168-175	Fan mode: silent
				176-183	Fan mode: auto
				184-191	Fan mode: full
				192-199	Display: auto off
				200-207	Display: on
				208-215	CCT mode: High CRI
				216-223	CCT mode: High Output
				224-249	No function
				250	Reset all
				251-255	No function

6.7.3. RGB Pro (10 Channels), CMY Pro (10 Channels), HSI Pro (10 Channels)

RGB Pro 10 CH	CMY Pro 10 CH	HSI Pro 10 CH	Function	Value	Setting	
1	1	1	<b>Dimmer Coarse</b>	000–255	From low to high intensity (0–100 %)	
2	2	2	<b>Dimmer Fine</b>	000–255	Fine adjustment from low to high intensity (0–100 %)	
3	3	3	<b>Shutter/Strobe</b>	000–005	Closed (No light output)	
				006–249	Strobe, from low to high frequency	
				250–255	Open	
4	4	4	<b>CCT</b>	000–096	2000–2800 K	
				097–098	2800 K	
				099–112	2800–3000 K	
				113–114	3000 K	
				115–126	3000–3200 K	
				127–129	3200 K	
				130–169	3200–4000 K	
				170–171	4000 K	
				172–218	4000–5600 K	
				219–220	5600 K	
				221–226	5600–6000 K	
				227–228	6000 K	
229–254	6000–8000 K					
255	8000 K					
5			<b>Red Coarse</b>	000–255	From low to high intensity (0–100 %)	
6			<b>Green Coarse</b>	000–255	From low to high intensity (0–100 %)	
7			<b>Blue Coarse</b>	000–255	From low to high intensity (0–100 %)	
	5		<b>Cyan Coarse</b>	000–255	From low to high intensity (0–100 %)	
	6		<b>Magenta</b>	000–255	From low to high intensity (0–100 %)	
	7		<b>Yellow</b>	000–255	From low to high intensity (0–100 %)	
		5	<b>Hue Coarse</b>	000–255	Hue adjustment (0–100 %)	
		6	<b>Hue Fine</b>	000–255	Fine adjustment	
		7	<b>Saturation</b>	000–255	Saturation adjustment (0–100 %)	
8	8	8	<b>Color Wheel</b>	000–007	No function	
				008–010	Medium Bastard Amber	L004
				011–013	Fire	L019
				014–016	Bright Red	L026
				017–019	Lavender	L058
				020–022	Sky Blue	L068
				023–025	Just Blue	L079
				026–028	Lime Green	L088
				029–031	Dark Yellow Green	L090
				032–034	Spring Yellow	L100
				035–037	Yellow	L101
				038–040	Light Amber	L102
				041–043	Straw	L103
				044–046	Deep Amber	L104
				047–049	Orange	L105
				050–052	Primary Red	L106
				053–055	Dark Pink	L111
				056–058	Magenta	L113
				059–061	Peacock Blue	L115
				062–064	Medium Blue Green	L116
065–067	Steel Blue	L117				
068–070	Light Blue	L118				
071–073	Dark Blue	L119				
074–076	Deep Blue	L120				

RGB Pro 10 CH	CMY Pro 10 CH	HSI Pro 10 CH	Function	Value	Setting	
				077-079	Lee Green	L121
				080-082	Fern Green	L122
				083-085	Dark Green	L124
				086-088	Bright Pink	L128
				089-091	Medium Blue	L132
				092-094	Golden Amber	L134
				095-097	Deep Golden Amber	L135
				098-100	Pale Lavender	L136
				101-103	Special Lavender	L137
				104-106	Pale Green	L138
				107-109	Primary Green	L139
				110-112	Bright Blue	L141
				113-115	Apricot	L147
				116-118	Bright Rose	L148
				119-121	Pale Gold	L152
				122-124	Pink	L157
				125-127	Deep Orange	L158
				128-130	Bastard Amber	L162
				131-133	Flame Red	L164
				134-136	Daylight Blue	L165
				137-139	Lilac Tint	L169
				140-142	Deep Lavender	L170
				143-145	Lagoon Blue	L172
				146-148	Chrome Orange	L179
				149-151	Dark Lavender	L180
				152-154	Congo Blue	L181
				155-157	Alice Blue	L197
				158-160	Full CT Blue	L201
				161-163	Half CT Blue	L202
				164-166	Quarter CT Blue	L203
				167-169	Full CT Orange	L204
				170-172	Half CT Orange	L205
				173-175	Quarter CT Orange	L206
				176-178	LEE Minus Green	L247
				179-181	Half Minus Green	L248
				182-184	Three Quarter CT Blue	L281
				185-187	Three Quarter CT Orange	L285
				188-190	Follies Pink	L328
				191-193	Lighter Blue	L353
				194-196	Millennium Gold	L778
				197-199	Vanity Fair	L793
				200-255	Reserved	
9	9	9	CW Crossfade Time	000	0 s	
				001	0,1 s	
				002	0,2 s	
				003	0,3 s	
				...	...	
				253	25,3 s	
				254	25,4 s	
255	25,5 s					
10	10	10	Control Mode	000-007	No function	
				008-015	Dimmer curve 1: Linear	
				016-023	Dimmer curve 2: Gamma 2.0	
				024-031	Dimmer curve 3: Gamma 2.2	
				032-039	Dimmer curve 4: S-curve	

RGB Pro 10 CH	CMY Pro 10 CH	HSI Pro 10 CH	Function	Value	Setting
				040-071	No function
				072-079	Simulation source: Tungsten 575 W
				080-087	Simulation source: Tungsten 750 W
				088-095	Simulation source: Tungsten 1000 W
				096-103	Simulation source: Tungsten 2000 W
				104-111	PWM frequency: 1100 Hz
				112-119	PWM frequency: 1200 Hz
				120-127	PWM frequency: 1300 Hz
				128-135	PWM frequency: 1400 Hz
				136-143	PWM frequency: 1500 Hz
				144-151	PWM frequency: 1600 Hz
				152-159	Calibration disabled
				160-167	Calibration enabled
				168-175	Fan mode: silent
				176-183	Fan mode: auto
				184-191	Fan mode: full
				192-199	Display: auto off
				200-207	Display: on
				208-215	CCT mode: High CRI
				216-223	CCT mode: High Output
				224-249	No function
				250	Reset all
				251-255	No function

6.7.4. RAW (20 Channels)

RAW 20 CH	Function	Value	Setting	
1	Dimmer Coarse	000-255	From low to high intensity (0-100 %)	
2	Dimmer Fine	000-255	Fine adjustment from low to high intensity (0-100 %)	
3	Shutter/Strobe	000-005	Closed (No light output)	
		006-249	Strobe, from low to high frequency	
		250-255	Open	
4	Red Coarse	000-255	From low to high intensity (0-100 %)	
5	Red Fine	000-255	Fine adjustment	
6	Amber Coarse	000-255	From low to high intensity (0-100 %)	
7	Amber Fine	000-255	Fine adjustment	
8	Lime Coarse	000-255	From low to high intensity (0-100 %)	
9	Lime Fine	000-255	Fine adjustment	
10	Green Coarse	000-255	From low to high intensity (0-100 %)	
11	Green Fine	000-255	Fine adjustment	
12	Cyan Coarse	000-255	From low to high intensity (0-100 %)	
13	Cyan Fine	000-255	Fine adjustment	
14	Blue Coarse	000-255	From low to high intensity (0-100 %)	
15	Blue Fine	000-255	Fine adjustment	
16	Deep Blue Coarse	000-255	From low to high intensity (0-100 %)	
17	Deep Blue Fine	000-255	Fine adjustment	
18	Color Wheel	000-007	No function	
		008-010	Medium Bastard Amber	L004
		011-013	Fire	L019
		014-016	Bright Red	L026
		017-019	Lavender	L058
		020-022	Sky Blue	L068
		023-025	Just Blue	L079
		026-028	Lime Green	L088
		029-031	Dark Yellow Green	L090
		032-034	Spring Yellow	L100
		035-037	Yellow	L101
		038-040	Light Amber	L102
		041-043	Straw	L103
		044-046	Deep Amber	L104
		047-049	Orange	L105
		050-052	Primary Red	L106
		053-055	Dark Pink	L111
		056-058	Magenta	L113
		059-061	Peacock Blue	L115
		062-064	Medium Blue Green	L116
		065-067	Steel Blue	L117
		068-070	Light Blue	L118
		071-073	Dark Blue	L119
		074-076	Deep Blue	L120
		077-079	Lee Green	L121
		080-082	Fern Green	L122
		083-085	Dark Green	L124
		086-088	Bright Pink	L128
		089-091	Medium Blue	L132
		092-094	Golden Amber	L134
		095-097	Deep Golden Amber	L135
		098-100	Pale Lavender	L136
		101-103	Special Lavender	L137

RAW 20 CH	Function	Value	Setting
		104-106	Pale Green L138
		107-109	Primary Green L139
		110-112	Bright Blue L141
		113-115	Apricot L147
		116-118	Bright Rose L148
		119-121	Pale Gold L152
		122-124	Pink L157
		125-127	Deep Orange L158
		128-130	Bastard Amber L162
		131-133	Flame Red L164
		134-136	Daylight Blue L165
		137-139	Lilac Tint L169
		140-142	Deep Lavender L170
		143-145	Lagoon Blue L172
		146-148	Chrome Orange L179
		149-151	Dark Lavender L180
		152-154	Congo Blue L181
		155-157	Alice Blue L197
		158-160	Full CT Blue L201
		161-163	Half CT Blue L202
		164-166	Quarter CT Blue L203
		167-169	Full CT Orange L204
		170-172	Half CT Orange L205
		173-175	Quarter CT Orange L206
		176-178	LEE Minus Green L247
		179-181	Half Minus Green L248
		182-184	Three Quarter CT Blue L281
		185-187	Three Quarter CT Orange L285
		188-190	Follies Pink L328
		191-193	Lighter Blue L353
		194-196	Millennium Gold L778
		197-199	Vanity Fair L793
		200-255	Reserved
19	CW Crossfade Time	000	0 s
		001	0,1 s
		002	0,2 s
		003	0,3 s
		...	...
		253	25,3 s
		254	25,4 s
255	25,5 s		
20	Control Mode	000-007	No function
		008-015	Dimmer curve 1: Linear
		016-023	Dimmer curve 2: Gamma 2.0
		024-031	Dimmer curve 3: Gamma 2.2
		032-039	Dimmer curve 4: S-curve
		040-071	No function
		072-079	Simulation source: Tungsten 575 W
		080-087	Simulation source: Tungsten 750 W
		088-095	Simulation source: Tungsten 1000 W
		096-103	Simulation source: Tungsten 2000 W
		104-111	PWM frequency: 1100 Hz
		112-119	PWM frequency: 1200 Hz
		120-127	PWM frequency: 1300 Hz
		128-135	PWM frequency: 1400 Hz

RAW 20 CH	Function	Value	Setting
		136-143	PWM frequency: 1500 Hz
		144-151	PWM frequency: 1600 Hz
		152-159	Calibration disabled
		160-167	Calibration enabled
		168-175	Fan mode: silent
		176-183	Fan mode: auto
		184-191	Fan mode: full
		192-199	Display: auto off
		200-207	Display: on
		208-215	CCT mode: High CRI
		216-223	CCT mode: High Output
		224-249	No function
		250	Reset all
		251-255	No function

## 7. Troubleshooting

This troubleshooting guide contains solutions to problems which can be carried out by an ordinary person. The device does not contain user-serviceable parts.

Unauthorized modifications to the device will render the warranty void. Such modifications may result in injuries and material damage.

Refer servicing to instructed or skilled persons. Contact your Highlite International dealer in case the solution is not described in the table.

Problem	Probable cause(s)	Solution
The device does not function at all	No power to the device	<ul style="list-style-type: none"> <li>Check if power is switched on and cables are plugged in</li> </ul>
	Main fuse is blown	<ul style="list-style-type: none"> <li>Disconnect the device and contact your Highlite International dealer</li> </ul>
The device responds erratically	The factory settings of the device are changed	<ul style="list-style-type: none"> <li>Reset the device's parameters to the default factory settings. See <b>6.6.14. Factory</b> on page 28</li> </ul>
The device does not respond to DMX control	The controller is not connected	<ul style="list-style-type: none"> <li>Connect the controller</li> </ul>
	The signal is reversed. The 5-pin DMX OUT of the controller does not match the DMX IN of the device	<ul style="list-style-type: none"> <li>Install a phase-reversing cable between the controller and the device</li> </ul>
	The controller is defective	<ul style="list-style-type: none"> <li>Try using another controller</li> </ul>
The device responds erratically to DMX control	Bad data link connection	<ul style="list-style-type: none"> <li>Examine connections and cables. Correct poor connections. Repair or replace damaged cables</li> </ul>
	The data link is not terminated with a 120 Ω termination plug	<ul style="list-style-type: none"> <li>Insert a termination plug in the DMX OUT connector of the last device on the link</li> </ul>
	Incorrect addressing	<ul style="list-style-type: none"> <li>Check address settings and correct, if necessary</li> </ul>
	In case of a setup with multiple devices, one of the devices is defective and disturbs data transmission on the link	<ul style="list-style-type: none"> <li>To find which device is defective, bypass one device at a time until normal operation is restored</li> </ul>
No light or LEDs cut out intermittently	LEDs are damaged	<ul style="list-style-type: none"> <li>Disconnect the device and contact your Highlite International dealer</li> </ul>
	The power supply settings do not match local AC voltage and frequency	<ul style="list-style-type: none"> <li>Disconnect the device. Check the settings and correct, if necessary</li> </ul>



## 8. Maintenance

### 8.1. Safety Instructions for Maintenance



**DANGER**  
Electric shock caused by dangerous voltage inside

Disconnect power supply before servicing or cleaning.



**WARNING**  
Risk of burns due to hot surface

Allow the device to cool down for at least 15 minutes before servicing or cleaning.

### 8.2. Preventive Maintenance



**Attention**  
Before each use, examine the device visually for any defects.

Make sure that:

- All screws used for installing the device or parts of the device are tightly fastened and are not corroded.
- The safety devices are not damaged.
- There are no deformations on housings, fixations and installation points.
- The lens is not cracked or damaged.
- The power cables are not damaged and do not show any material fatigue.

### 8.2.1. Basic Cleaning Instructions

The external lens of the device must be cleaned periodically in order to optimize the light output. The cleaning schedule depends on the conditions at the site where the device is installed. When smoke or fog machines are used at the site, the device will need more frequent cleaning. On the other hand, if the device is installed in well-ventilated area, it will need less frequent cleaning. To establish a cleaning schedule, examine the device at regular intervals during the first 100 hours of operation.

To clean the device, follow the steps below:

- 01) Disconnect the device from the electrical power supply.
- 02) Allow the device to cool down for at least 15 minutes.
- 03) Remove the dust collected on the external surface with dry compressed air and a soft brush.
- 04) Clean the lens with a damp cloth. Use a mild detergent solution.
- 05) Dry the lens carefully with a lint-free cloth.
- 06) Clean the DMX and other connections with a damp cloth.



#### Attention

- Do not immerse the device in liquid.
- Do not use alcohol or solvents.
- Make sure that the connections are fully dry before connecting the device to the power supply and to other devices.

### 8.3. Corrective Maintenance

The device does not contain user-serviceable parts. Do not open the device and do not modify the device.

Refer repairs and servicing to instructed or skilled persons. Contact your Highlite International dealer for more information.

## 9. Deinstallation, Transportation and Storage

---

### 9.1. Instructions for Deinstallation



**WARNING**

**Incorrect deinstallation can cause serious injuries and damage of property.**

- Let the device cool down before dismounting.
- Disconnect power supply before deinstallation.
- Always observe the national and site-specific regulations during deinstallation and derigging of the device.
- Wear personal protective equipment in compliance with the national and site-specific regulations.

### 9.2. Instructions for Transportation

- Use the original packaging to transport the device, if possible.
- Always observe the handling instructions printed on the outer carton box, for example: "Handle with care", "This side up", "Fragile".

### 9.3. Storage

- Clean the device before storing. Follow the cleaning instructions in chapter **8.2.1. Basic Cleaning Instructions** on page 41.
- Store the device in the original packaging, if possible.

## 10. Disposal

---

### Correct disposal of this product



#### Waste Electrical and Electronic Equipment

This symbol on the product, its packaging or documents indicates that the product shall not be treated as household waste. Dispose of this product by handing it to the respective collection point for recycling of electrical and electronic equipment. This is to avoid environmental damage or personal injury due to uncontrolled waste disposal. For more detailed information about recycling of this product contact the local authorities or the authorized dealer.

## 11. Approval

---



Check the respective product page on the website of Highlite International ([www.highlite.com](http://www.highlite.com)) for an available declaration of conformity.



©2020 Infinity