

The Infinity Raccoon S420/4 is a very powerful strobe/wash combination fixture with a beam angle of 110 degrees. It has ten individually controllable sections with 42 RGBW LEDs each that deliver wash effects of up to 30,400 lumens when combined. The white part of the RGBW LEDs has a CRI of 92, which is very high for a product of this type.

The strobe effect is created by a row of 35 ultra-bright CW LEDs, each capable of strobing at 20 W for a total of 700 W of LED strobe power (over 70,000 lumens)! The strobe LEDs have a special lens to optimise the output angle. The LEDs are positioned in a line in the centre of the fixture in between the wash LEDs. They can be used in continuous output mode, but are tuned down to 12 W (over 54,200 lumens) in this mode for thermal reasons.

The LEDs are soldered onto a black PCB, so the strobes are inconspicuous when switched off. The cooling fans can be set to a slow mode to keep them whisper quiet. With the optional L bracket, the IP65-rated housing can be mounted vertically or at an angle, while still being balanced (no torque force on the mount). Other optional accessories include a top hat, a barn-door

Special features:

- Ultra-bright strobe/wash combo
- 35 CW LEDs
- 420 RGBW LEDs
- Ten individually controllable sections
- High CRI (>92)

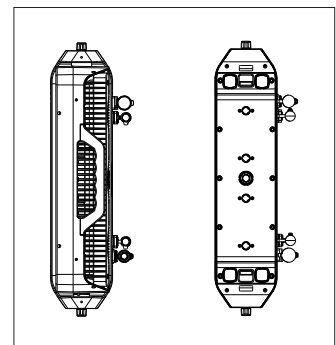
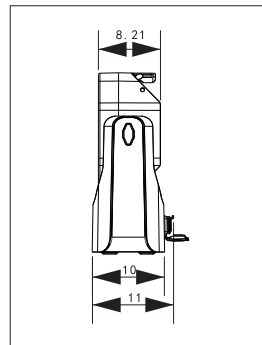
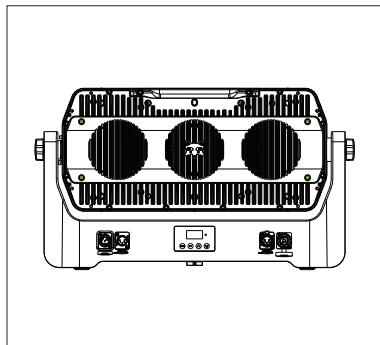
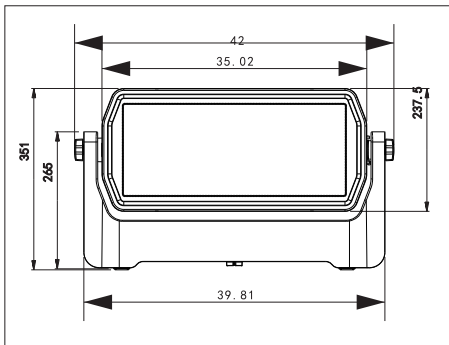
Specifications:

| | |
|---|-----------------------|
| - Source | |
| Light Source Type | LED |
| Light Source Quantity | 420 |
| Light Source Power | 2 W |
| LED Colour Type | CW, RGBW |
| Life Expectancy | 50000 h |
| Refresh Rate | 12000 Hz |
| Luminous Flux (Total) | 72000 lm |
| Luminous Flux (Red) | 5035 lm |
| Luminous Flux (Green) | 10060 lm |
| Luminous Flux (Blue) | 2525 lm |
| Luminous Flux (White) | 11800 lm |
| CRI | 92 |
| CCT | 6500 K |
| - Control and Programming | |
| Control Mode | DMX, Manual |
| Protocols | DMX, RDM |
| Wireless | LumenRadio |
| Display | OLED |
| - Dynamic Effects | |
| Dimmer | 0-100 % |
| Strobe | 0-20 Hz |
| - Electrical Specification and Connections | |
| Power Supply | 100-240 V AC 50/60 Hz |
| Power Consumption | 860 W |
| Power Connector In | Power Pro True |
| Power Connector Out | Power Pro Trie |
| DMX Connector | XLR 5P In/Out |
| DMX Connector In | XLR 5P |
| DMX Connector Out | XLR 5P |
| - Mechanical Specifications | |
| Height (mm) | 342 mm |
| Width (mm) | 570 mm |
| Depth (mm) | 140 mm |
| Weight | 17.8 kg |
| IP Rating | IP65 |
| Housing | Aluminium |
| Colour | Black |

Specifications:

- **Product Properties**
Cooling Convection/Axial fan
- **Rigging**
Mounting Options Quick-Lock
Safe Attachment Yes
- **Thermal Specifications**
Maximum Ambient Temperature 45 °C
Minimum Ambient Temperature -20 °C
- **Included Items**
Included Cables Power Pro True Cable

Technical drawings:

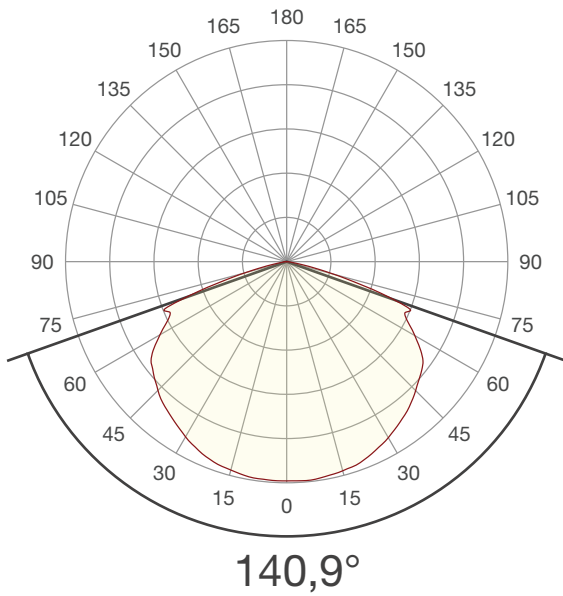


Product Accessories:

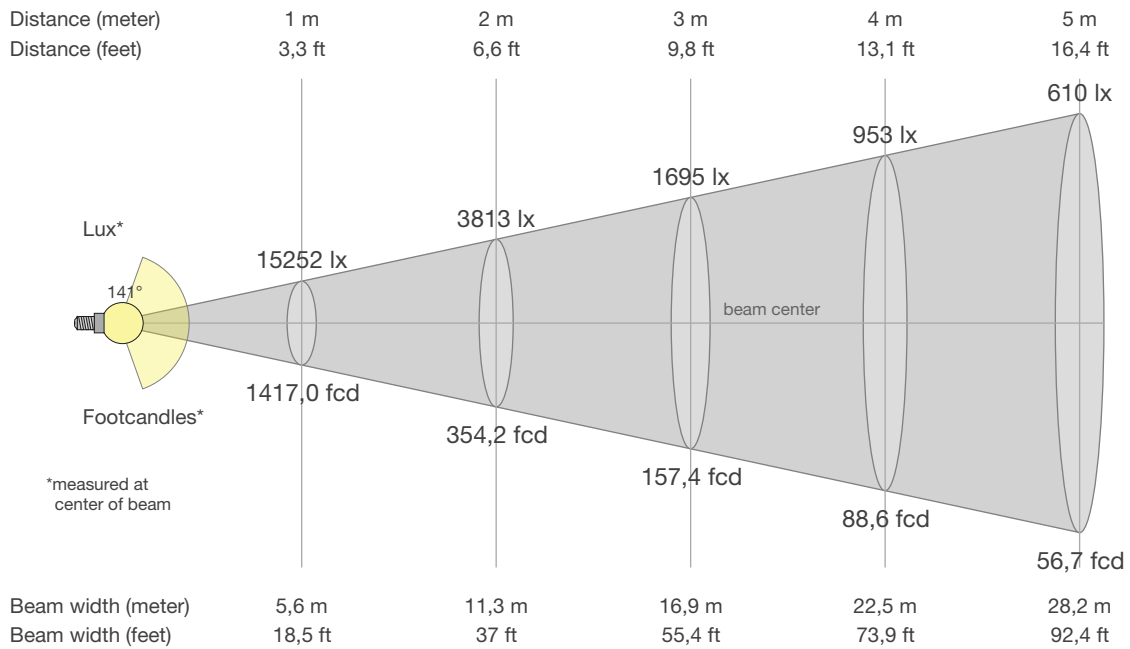
- 200620 Top hat - metal top hat
- 200621 Barndoor - 4-leaf metal barndoor
- 200622 L-Bracket aluminium
- 200623 Case for 3x Raccoon S420/4 with accessory compartments
- 200625 Diffuser 20°
- 200626 Diffuser 40°
- 200627 Diffuser 90°
- 200628 Diffuser 15° x 60°

Measurements:

Angular Beam Distribution - Strobe only



Beam Details - Strobe only

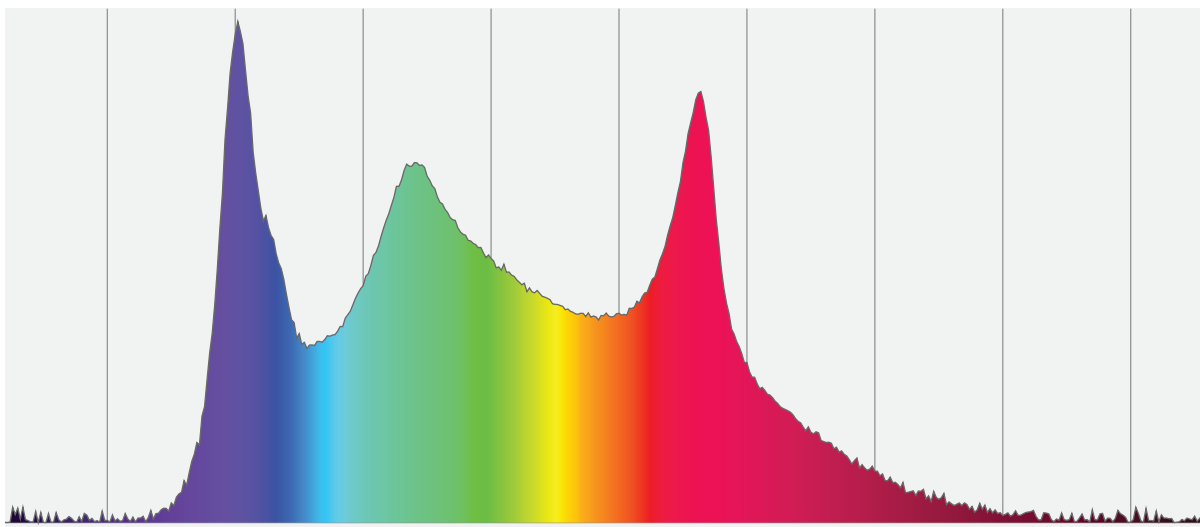


Beam Illuminances from 1-20m

| 1m | 2m | 3m | 4m | 5m | 6m | 7m | 8m | 9m | 10m | 11m | 12m | 13m | 14m | 15m | 16m | 17m | 18m | 19m | 20m |
|---------|----------|----------|---------|---------|---------|---------|---------|---------|---------|---------|--------|--------|--------|--------|--------|--------|--------|--------|--------|
| 3,3ft | 6,6ft | 9,8ft | 13,1ft | 16,4ft | 19,7ft | 23ft | 26,2ft | 29,5ft | 32,8ft | 36,1ft | 39,4ft | 42,7ft | 45,9ft | 49,2ft | 52,5ft | 55,8ft | 59,1ft | 62,3ft | 65,6ft |
| 15252lx | 3813lx | 1695lx | 953lx | 610lx | 424lx | 311lx | 238lx | 188lx | 153lx | 126lx | 106lx | 90lx | 78lx | 68lx | 60lx | 53lx | 47lx | 42lx | 38lx |
| 1417fcd | 354,2fcd | 157,4fcd | 88,6fcd | 56,7fcd | 39,4fcd | 28,9fcd | 22,1fcd | 17,5fcd | 14,2fcd | 11,7fcd | 9,8fcd | 8,4fcd | 7,2fcd | 6,3fcd | 5,5fcd | 4,9fcd | 4,4fcd | 3,9fcd | 3,5fcd |

Measurements:

Spectral Distribution



Color

5610 K
CIE 1931 Coordinates:
X: 0,330 Y: 0,357

Color Temperature

5610 K

CRI

94,3