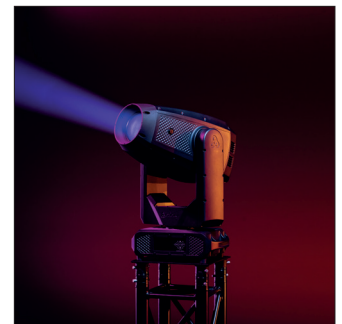
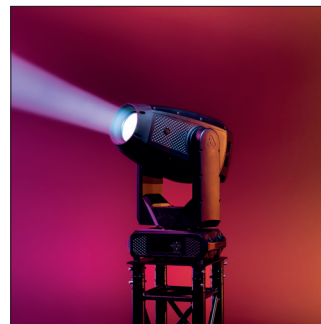


41451 **Infinity Furion S602 Spot**

600 W Spot Moving Head - IP65



The Furion S602 Spot is a lightweight, IP65-rated spot moving head with a mighty 600 W flat-field LED, a vast zoom range and a treasure trove of built-in effects. This makes it perfect for full-scale concerts, theatrical productions, live events, and more.

With a motorised zoom range that offers flawless transitions between a slender 6.3° beam angle and an all-encompassing 42.6° beam angle, the S602 Spot delivers adaptable lighting solutions for any scenario. Vivid colour combinations come from its CMY + CTO colour mixing capabilities and its colour wheel with 7 colours plus an open position.

Get creative by delving deep into the S602's box of tricks. These include a rotating gobo wheel with 7 gobos and a static gobo wheel with 9 gobos that cast dynamic light effects. A rotating 5-facet circular prism adds mesmerising layers to the light beam. An animation wheel and virtual animation offer more dynamic possibilities, while an iris for precise beam control and a light frost filter for softer edges make this fixture even more versatile.

For environments requiring minimal noise, the studio mode offers whisper-quiet fan operation ensuring discreet performance. Adjustable PWM frequencies guarantee uncompromised quality in filming situations too. Comprehensive control options include basic, advanced and customised DMX modes, CRMX, W-DMX, Art-Net, sACN and RDM. Power Pro True inputs and outputs add power-linking possibilities.

With a housing forged from magnesium and aluminium, the S602 Spot is both sturdy and lightweight, ensuring durability and minimal maintenance. Its IP65 rating guarantees that the fixture is dust-tight and protected against water, making it suitable for both indoor and outdoor situations.

Those looking for a top-notch, spot lighting solution that combines powerful performance, durable design, seamless movements and an arsenal of built-in effects will find everything they need in the Furion S602 Spot.

Special features:

- CMY + CTO colour mixing and colour wheel with 7 colours + open
- Rotating gobo wheel with 7 gobos and static gobo wheel with 9 gobos
- Rotating 5-facet circular prism for creative visual effects
- Iris for extra beam control, light frost for softer edge and animation wheel for extra dynamism
- Very wide zoom range from 6.3° to 42.6°

Specifications:

- **Source**

Light Source Type	LED
Light Source Quantity	1
Light Source Power	600 W
Refresh Rate	600 Hz
Refresh Rate (Max.)	15 kHz
Luminous Flux (Total)	25162 lm
CRI	71,3
CCT	7400 K
- **Optical**

Beam Angle Minimum (Circular)	6,3°
Beam Angle Maximum (Circular)	42,6°
Cutoff Angle Minimum (Circular)	7,1°
Cutoff Angle Maximum (Circular)	56,7°
Field Angle Minimum (Circular)	6,9°
Field Angle Maximum (Circular)	54,1°
Zoom Type	Motorised
Zoom Ratio	1:8
Frost	Yes
Focus	Motorised
Iris	Motorised
- **Control and Programming**

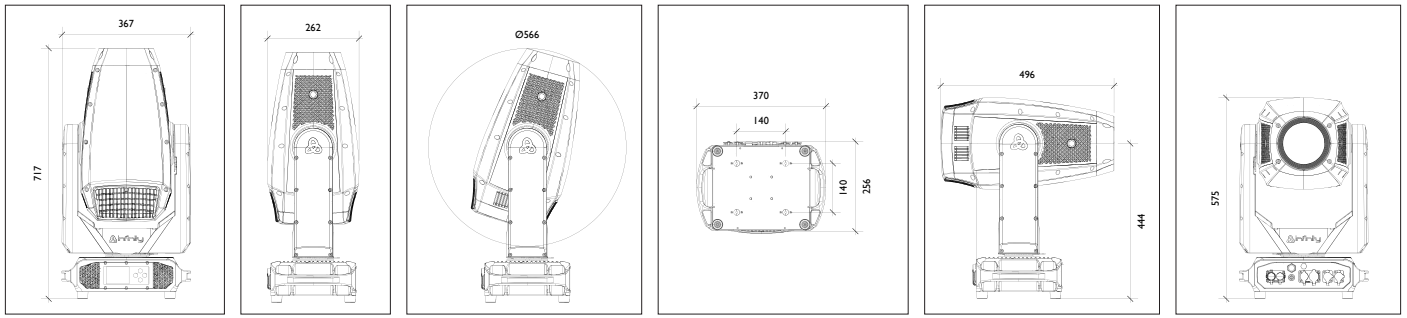
Control Mode	Auto / DMX / Manual
DMX Channels	26 / 37
Protocols	CRMX Classic / DMX / W-DMX / RDM
Wireless	LumenRadio
Display	Battery / Gravity Sensor / TFT
Fan mode	Yes
Dim Curve	Linear / Square / I-Square / S-Curve
Dimmer Resolution	16 bit
Focus Resolution	16 bit
Zoom Resolution	16 bit
Frost Resolution	8 bit
Iris Resolution	16 bit
- **Dynamic Effects**

Dimmer	0-100 %
Strobe	0-20 Hz
Prism 1	5-facet Circular
Prism Index & Rotate	Yes

Specifications:

Animation Wheel	Yes + Digital Motion FX
Colour System	Colour Wheel CMY+CTO
Dichroic Colour Wheel 1	7 + Open
Gobo System	Glass + Metal
Gobo Wheel 1	7 + Open
Gobo Wheel 2	9 + Open
Gobo Size	25 mm
Image Diameter	18 mm
- Movement	
Pan	540°
Tilt	260°
Pan/Tilt Resolution	16-bit
- Electrical Specifications and Connections	
Power Supply	100-240 V AC 50/60 Hz
Power Consumption	700 W
Fuse	15 A
Power Connector In	Power Pro True
Power Connector Out	Power Pro True
DMX Connector	XLR 5P In/Out
DMX Connector In	XLR 5P
DMX Connector Out	XLR 5P
Data Connector	etherCON In/Out
Data Connector In	RJ45
Data Connector Out	RJ45
- Control and Programming	
Length (mm)	262 mm
Width (mm)	368 mm
Height (mm)	717 mm
Weight	26,5 kg
IP Rating	IP65
Housing	Magnesium die-cast
Colour	Black
- Product Properties	
Cooling	Forced Convection
- Thermal Specifications	
Maximum Ambient Temperature	45 °C
Minimum Operating Temperature	-10 °C
- Included Items	
Included Cables	Power Pro True Cable
Included Rigging	Quick-Lock Bracket

Technical drawings:

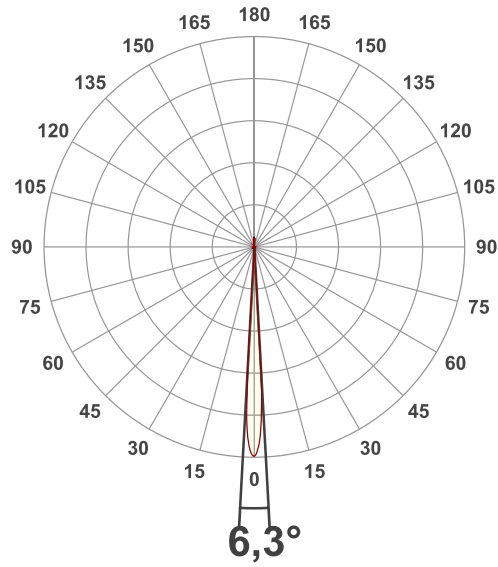
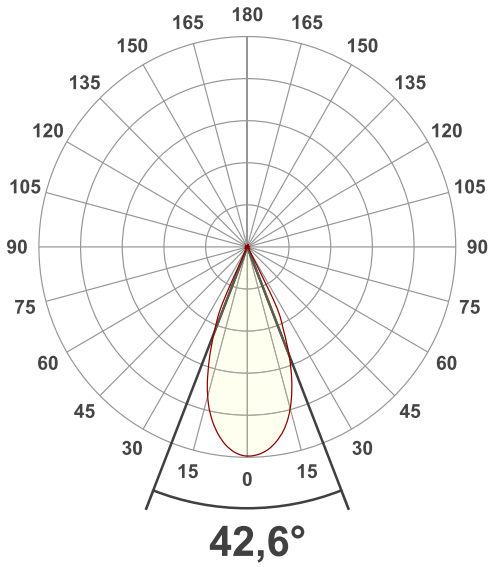


Product Accessories:

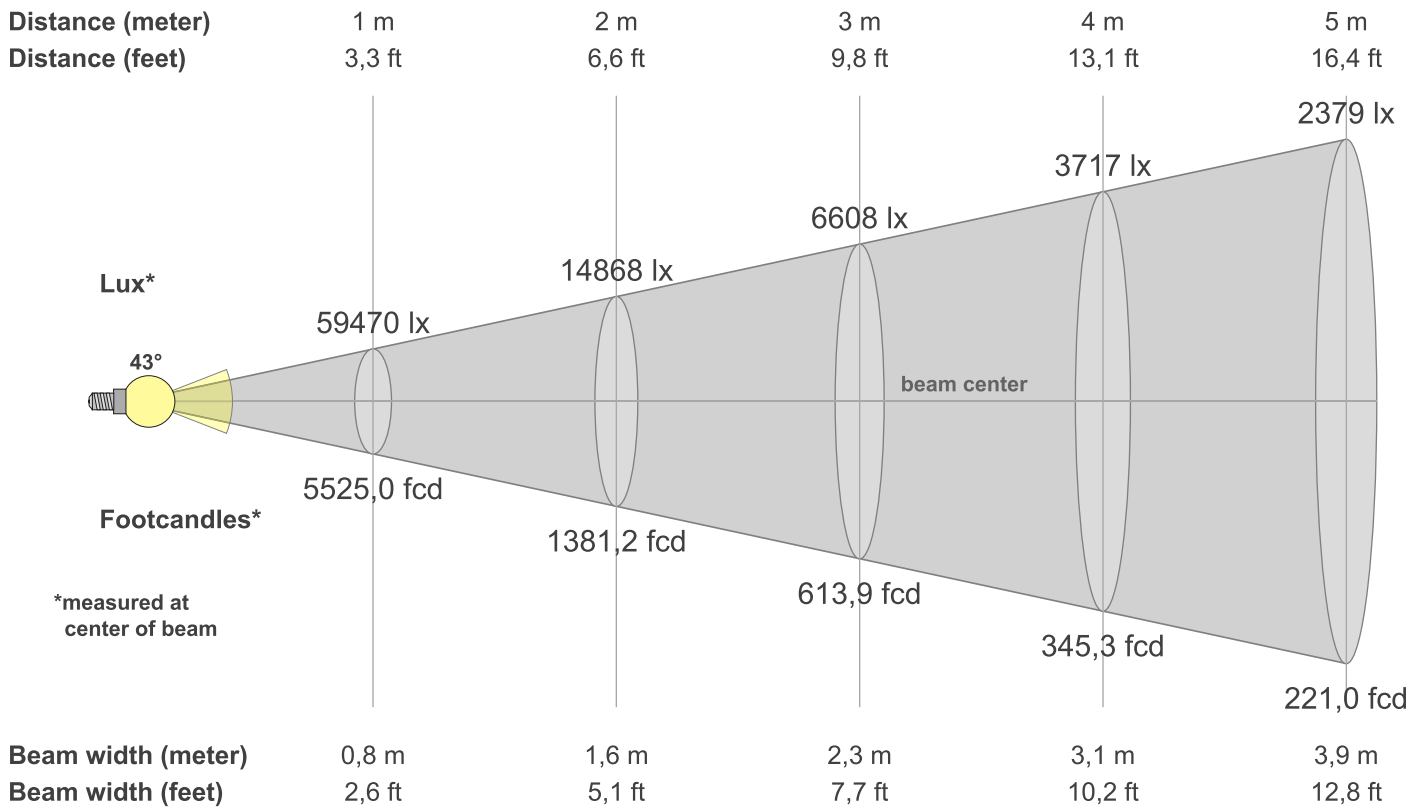
- 41499** Quicklock Bracket
- 41547** Furion S/P602 Diamond Gobo
- 41548** Furion S/P602 Bubbles Gobo
- 41549** Infinity IP Tester
- D7280** Case for 2x Furion S602 Spot or P602 Profile

Measurements:

Luminous Intensity diagram - zoom max & - zoom min



Beam Details - zoom max



Measurements:

Beam Details - zoom max

Beam Illuminances from 1-20m

1m	2m	3m	4m	5m	6m	7m	8m	9m	10m	11m	12m	13m	14m	15m	16m	17m	18m	19m	20m
3,3ft	6,6ft	9,8ft	13,1ft	16,4ft	19,7ft	23ft	26,2ft	29,5ft	32,8ft	36,1ft	39,4ft	42,7ft	45,9ft	49,2ft	52,5ft	55,8ft	59,1ft	62,3ft	65,6ft
59470lx	14868lx	6608lx	3717lx	2379lx	1652lx	1214lx	929lx	734lx	595lx	491lx	413lx	352lx	303lx	264lx	232lx	206lx	184lx	165lx	149lx
5525fcd	1381,2fcd	613,9fcd	345,3fcd	221fcd	153,5fcd	112,8fcd	86,3fcd	68,2fcd	55,2fcd	45,7fcd	38,4fcd	32,7fcd	28,2fcd	24,6fcd	21,6fcd	19,1fcd	17,1fcd	15,3fcd	13,8fcd

CRI - zoom min

CRI: 71,3 (R1-R8)

