

41431 Infinity Furion H402 Hybrid

420 W Hybrid Moving Head - IP65



The Furion H402 Hybrid is a highly adaptable moving head that combines beam, spot and wash effects in a single light fixture that is capable of illuminating the grandest of stages. Equipped with a 420 W discharge lamp, its optical prowess allows smooth transitions between a narrow 0.6° beam and a wide 50.7° wash for ultimate flexibility. Its beam diffuser ensures even light distribution without hotspots, making it perfect for concerts, theatrical productions, live events and more.

With 13 vibrant colours plus open, 2 gobo wheels and 2 prisms, this lighting marvel offers endless creative possibilities to the most imaginative of light designers. Its rotating gobo wheel with 9 gobos and its static gobo wheel with 16 gobos conjure enchanting visual effects, while its rotating 6-facet linear and 8-facet circular prisms cast mesmerising light creations.

Comprehensive control options include basic, advanced and customised DMX modes, CRMX, W-DMX, Art-Net, sACN and RDM. Power Pro True inputs and outputs add power-linking possibilities.

A sturdy yet lightweight housing forged from magnesium and aluminium means durability and minimal maintenance. Its IP65 rating makes it dust-tight and water-resistant, ideal for use in both indoor and outdoor situations.

An exceptional all-in-one lighting solution, the Furion H402 Hybrid's excellence as a beam, a spot and a wash, combined with its seamless movements, robust design and array of built-in effects make it a force to be reckoned with.

Special features:

- Colour wheel with 13 colours + open
- Rotating gobo wheel with 9 gobos and static gobo wheel with 16 gobos for extra effects
- Rotating 6-facet linear and 8-facet circular prisms with overlay for creative visual effects
- Beam diffuser for even light distribution without any hotspots
- Fast zoom from narrow 0.6° beam to wide 50.7° wash

Specifications:

- **Source**

Light Source Type	Discharge
Light Source Quantity	1
Light Source Power	420 W
Life Expectancy	3000
Illuminance @ 5 m	1.323.098 lx
Luminous Flux (Total)	32970 lm
CRI	76,4
CCT	6900 K
- **Optical**

Beam Angle Minimum (Circular)	0,6°
Beam Angle Maximum (Circular)	31,9°
Cutoff Angle Minimum (Circular)	1,9°
Cutoff Angle Maximum (Circular)	50,7°
Field Angle Minimum (Circular)	1,6°
Field Angle Maximum (Circular)	47,6°
Zoom Type	Motorised
Frost	Yes
Focus	Motorised
- **Control and Programming**

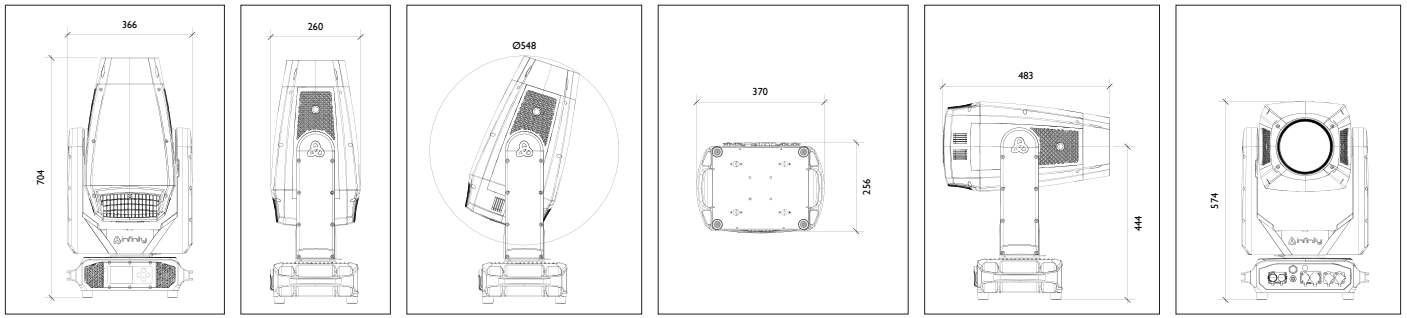
Control Mode	Auto / DMX / Manual
DMX Channels	20 / 27
Protocols	CRMX Classic / DMX / W-DMX / RDM
Wireless	LumenRadio
Display	Battery / Gravity Sensor / TFT
Dimmer Resolution	16 bit
Focus Resolution	16 bit
Zoom Resolution	16 bit
Frost Resolution	8 bit
- **Dynamic Effects**

Dimmer	0-100 %
Strobe	0-15 Hz
Prism 1	8-facet Circular
Prism 2	6-facet Linear
Prism Overlay	Yes
Colour System	Colour Wheel
Dichroic Colour Wheel 1	13 + Open

Specifications:

Gobo System	Glass + Metal
Gobo Wheel 1	9 + Open
Gobo Wheel 2	16 + Open
- Movement	
Pan	540°
Tilt	260°
Pan/Tilt Resolution	16-bit
- Electrical Specifications and Connections	
Power Supply	100-240 V AC 50/60 Hz
Power Consumption	650 W
Fuse	10 A
Power Connector In	Power Pro True
Power Connector Out	Power Pro True
DMX Connector	XLR 5P In/Out
DMX Connector In	XLR 5P
DMX Connector Out	XLR 5P
Data Connector	etherCON In/Out
Data Connector In	RJ45
Data Connector Out	RJ45
- Mechanical Specifications	
Length (mm)	254 mm
Width (mm)	370 mm
Height (mm)	705 mm
Weight	26,5 kg
IP Rating	IP65
Housing	Magnesium die-cast
Colour	Black
- Product Properties	
Cooling	Forced Convection
- Thermal Specifications	
Maximum Ambient Temperature	45 °C
Minimum Operating Temperature	-10 °C
- Included Items	
Included Cables	Power Pro True Cable
Included Rigging	Quick-Lock Bracket

Technical drawings:



Product Accessories:

41499 Quicklock Bracket

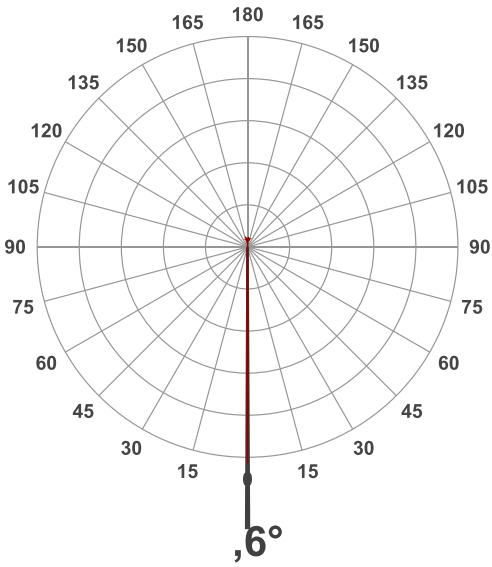
41549 Infinity IP Tester

81023 Ushio NSL400L

D7276 Case for 2x Furion H402 Hybrid

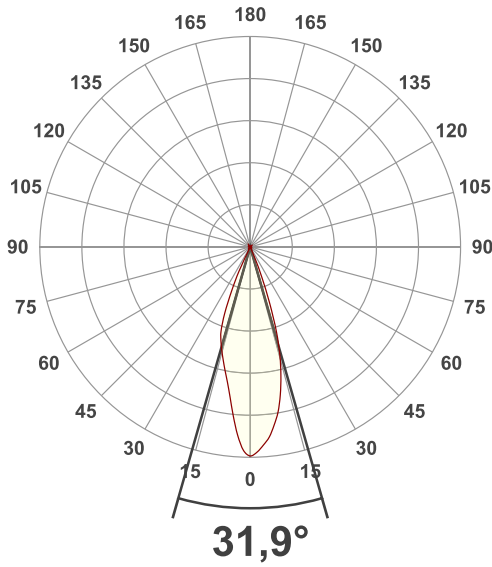
Measurements:

Luminous Intensity diagram - zoom max & zoom min



Optical

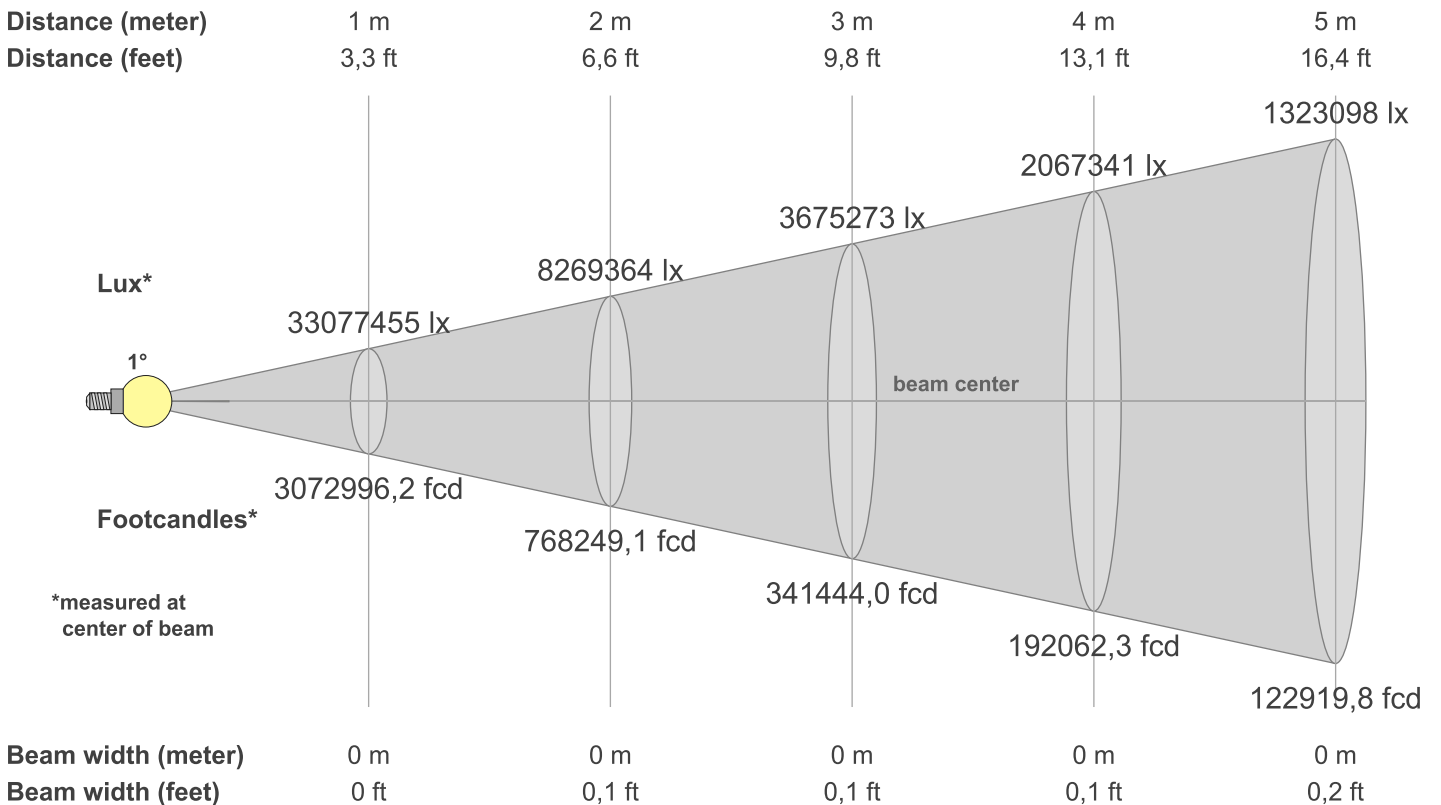
Beam Angle (50%)	0,6 °
Field Angle (10%)	1,6 °
Cut-off Angle (2,5%)	1,9 °



Optical

Beam Angle (50%)	31,9 °
Field Angle (10%)	47,6 °
Cut-off Angle (2,5%)	50,7 °

Beam Details - zoom min



Measurements:

Beam Details - zoom min

Beam Illuminances from 1-20m

1m	2m	3m	4m	5m	6m	7m	8m	9m	10m	11m	12m	13m	14m	15m	16m	17m	18m	19m	20m
3,3ft	6,6ft	9,8ft	13,1ft	16,4ft	19,7ft	23ft	26,2ft	29,5ft	32,8ft	36,1ft	39,4ft	42,7ft	45,9ft	49,2ft	52,5ft	55,8ft	59,1ft	62,3ft	65,6ft
33077455lx	8269364lx	3675273lx	2067341lx	1323098lx	918818lx	675050lx	516835lx	408364lx	330775lx	273367lx	229705lx	195725lx	168763lx	147011lx	129209lx	114455lx	102091lx	91627lx	82694lx
3072996,2fcd	768249,1fcd	341444fcd	192062,3fcd	122919,8fcd	85361fcd	62714,2fcd	48015,6fcd	37938,2fcd	30730fcd	25396,7fcd	21340,3fcd	18183,4fcd	15678,6fcd	13657,8fcd	12003,9fcd	10633,2fcd	9484,6fcd	8512,5fcd	7682,5fcd

CRI - zoom max

