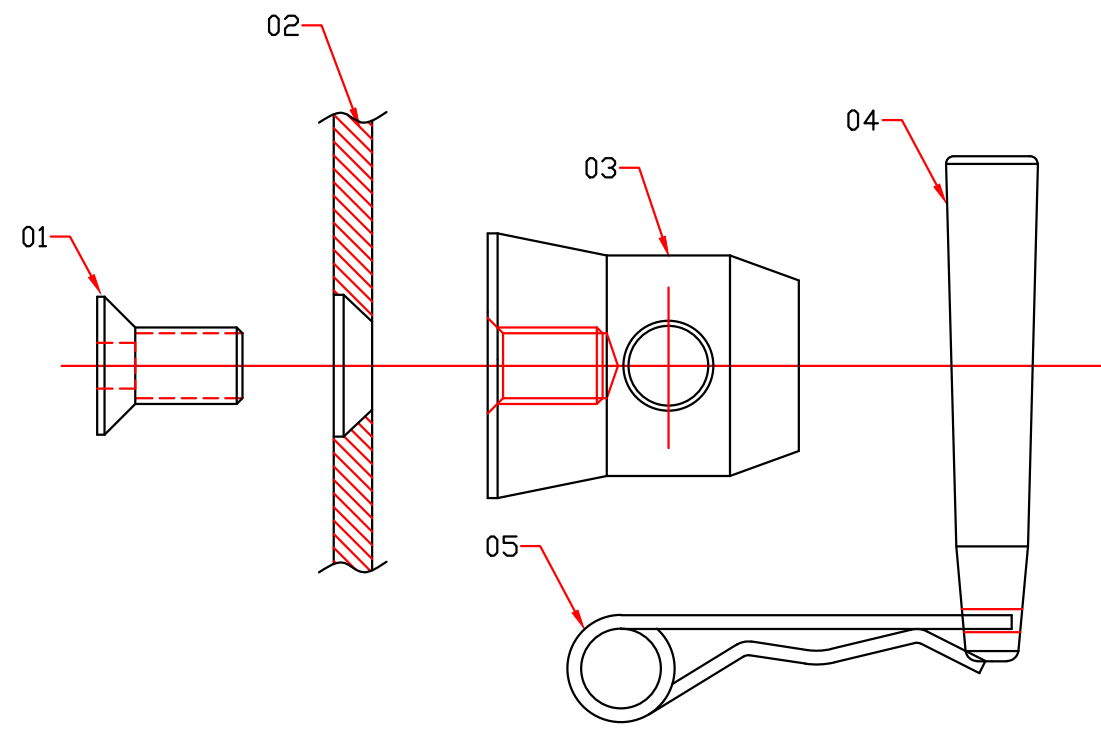


SCALE 1:4



NO#	ITEM#	QTY
01	ST823-11-014	4PCS
02	ST4137-1	1PCS
03	ST4137-2	4PCS
04	DMS-01-2	4PCS
05	DMS-01-1	4PCS

	DESIGNER	Kelly	2015.12.14		
	TOLETANCE	VERIFIER	MATERIAL	6061	SCALE 1:4
	<6 ±0.2	APPROVER	CUSTOMER NO.		UNITS mm
	>6-20 ±0.25		NAME		
	>20-60 ±0.3		DRAWING NO.	ST4137	OFFICIAL EDITION
>60 ±0.4					
ANGLE ±0.5°					