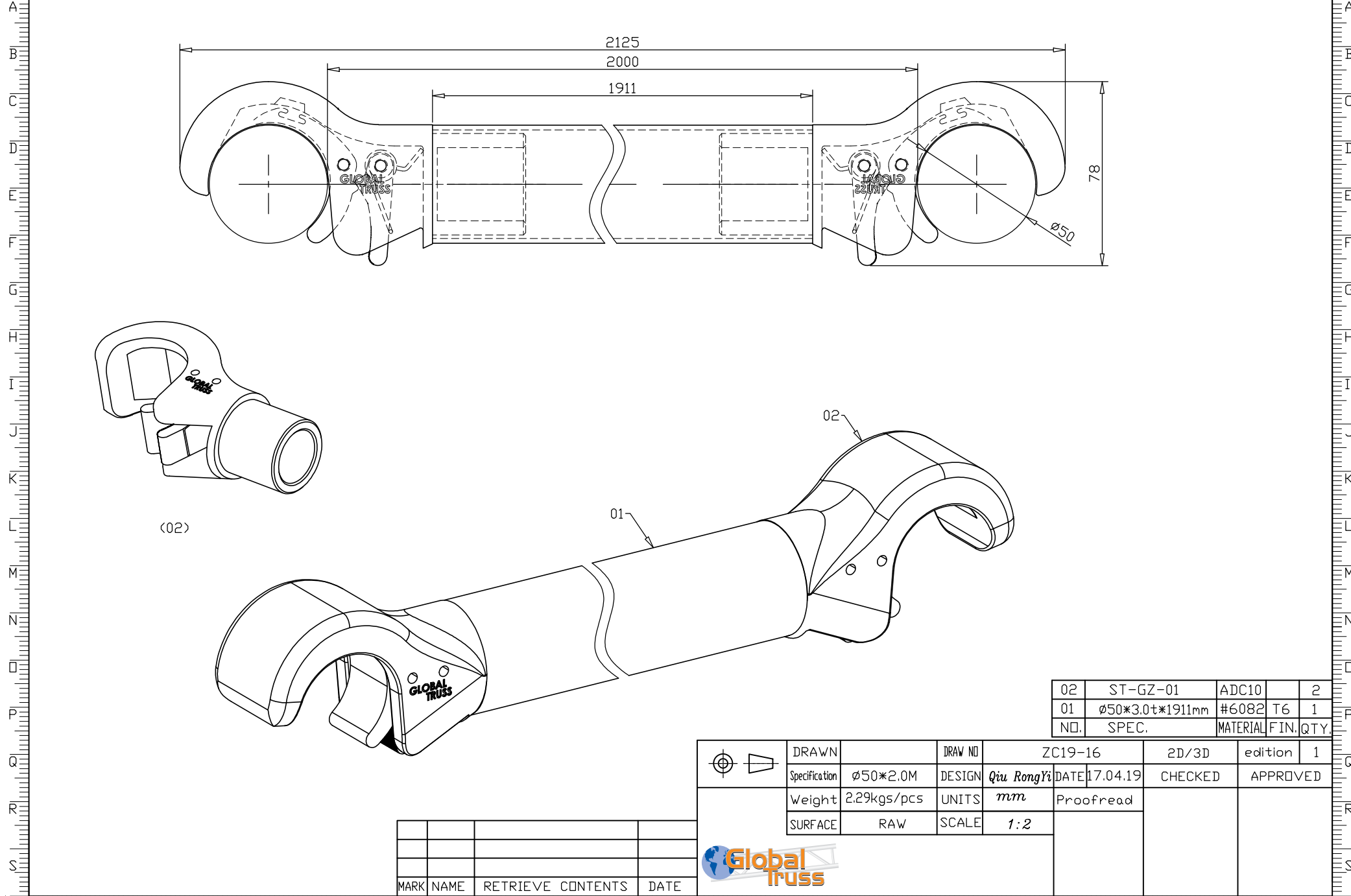


0 1 2 3 4 5 6 7 8 9 10 11 12 13 14 15 16 17 18 19 20 21 22 23 24 25 26 27



02	ST-GZ-01	ADC10		2
01	∅50*3.0t*1911mm	#6082	T6	1
NO.	SPEC.	MATERIAL	FIN.	QTY.

	DRAWN	DRAW NO	ZC19-16	2D/3D	edition	1
	Specification	∅50*2.0M	DESIGN	Qiu RongYi	DATE	17.04.19
	Weight	2.29kgs/pcs	UNITS	mm	PROOFREAD	CHECKED
	SURFACE	RAW	SCALE	1:2	APPROVED	

MARK	NAME	RETRIEVE CONTENTS	DATE



0 1 2 3 4 5 6 7 8 9 10 11 12 13 14 15 16 17 18 19 20 21 22 23 24 25 26 27