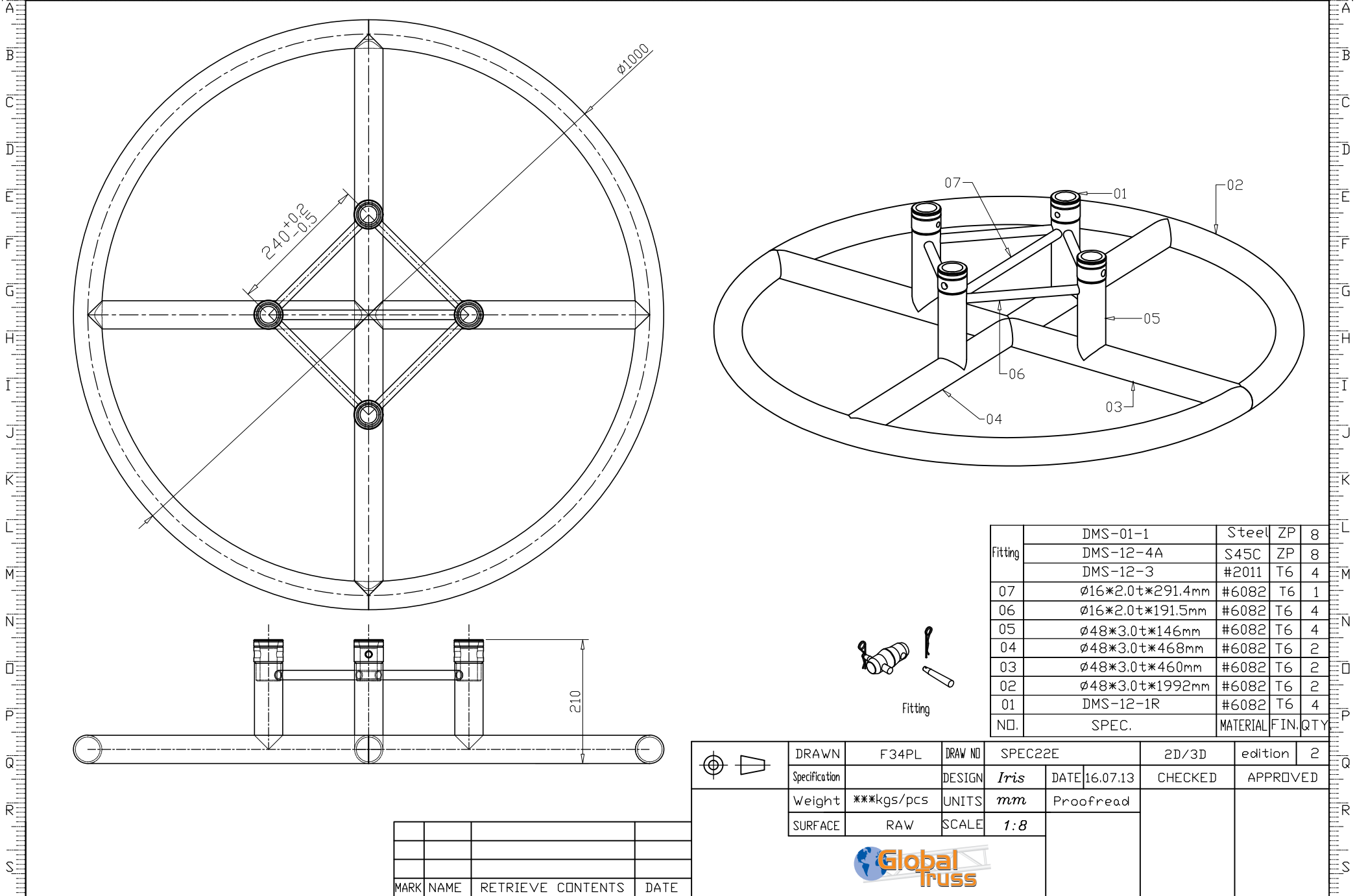
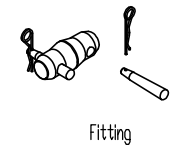


0 1 2 3 4 5 6 7 8 9 10 11 12 13 14 15 16 17 18 19 20 21 22 23 24 25 26 27



Fitting	DMS-01-1	Steel	ZP	8
	DMS-12-4A	S45C	ZP	8
	DMS-12-3	#2011	T6	4
07	∅16*2.0t*291.4mm	#6082	T6	1
06	∅16*2.0t*191.5mm	#6082	T6	4
05	∅48*3.0t*146mm	#6082	T6	4
04	∅48*3.0t*468mm	#6082	T6	2
03	∅48*3.0t*460mm	#6082	T6	2
02	∅48*3.0t*1992mm	#6082	T6	2
01	DMS-12-1R	#6082	T6	4
NO.	SPEC.	MATERIAL	FIN.	QTY



MARK	NAME	RETRIEVE CONTENTS	DATE

	DRAWN	F34PL	DRAW NO	SPEC22E		2D/3D	edition	2
	Specification		DESIGN	Iris	DATE	16.07.13	CHECKED	APPROVED
	Weight	***kgs/pcs	UNITS	mm	Proofread			
	SURFACE	RAW	SCALE	1:8				



0 1 2 3 4 5 6 7 8 9 10 11 12 13 14 15 16 17 18 19 20 21 22 23 24 25 26 27