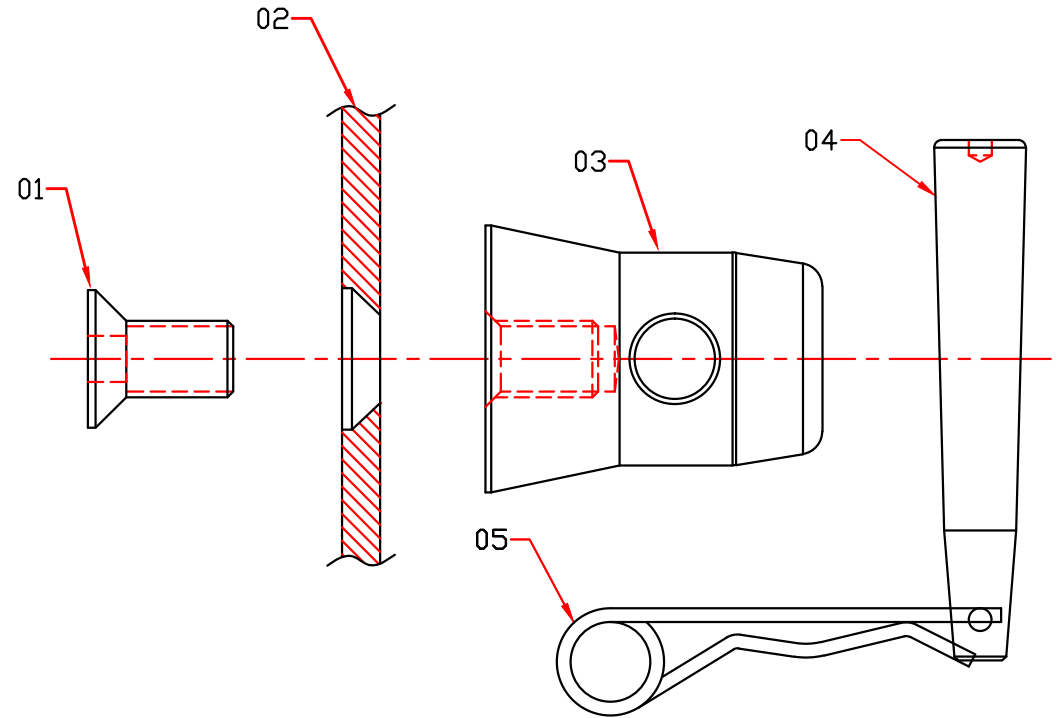


SCALE 1:5



NO#	ITEM#	QTY
01	ST823-11-014	4PCS
02	PL4137- 500A1	1PCS
03	PL-4137-1	4PCS
04	DMS-12-4A	4PCS
05	DMS-01-1	4PCS

	DESIGNER	Kelly	2015.12.14		
TOLETANCE	VERIFIER		MATERIAL	6061	SCALE 1:1
<6 ±0.2	APPROVER		CUSTOMER NO.		UNITS mm
>6-20 ±0.25			NAME		
>20-60 ±0.3			DRAWING NO.	PL4137-500A	OFFICIAL EDITION
>60 ±0.4					
ANGLE ±0.5°					

