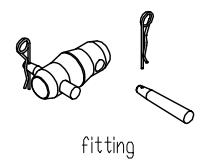
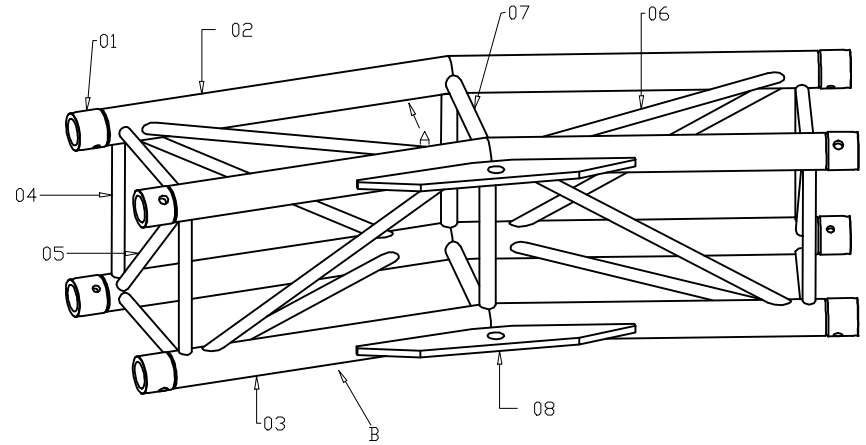
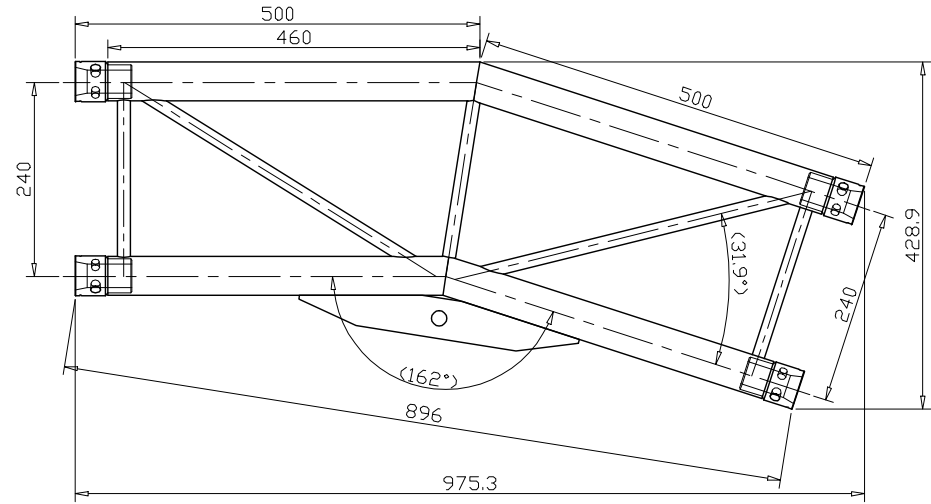


View A



fitting

NO.	SPEC.	MATERIAL	QTY
	DMS-01-1	Steel	8
	DMS-12-4A	S45C	8
	DMS-12-3	#2011	4
08	PJ-BQP128A	#6061	2
07	∅16*2.0t*196.6mm	#6082	2
06	∅16*2.0t*389mm	#6082	8
05	∅16*2.0t*291.4mm	#6082	2
04	∅16*2.0t*191.5mm	#6082	10
03	∅48*3.0t*421.8mm	#6082	4
02	∅48*3.0t*460mm	#6082	4
01	DMS-12-1R	#6082	8

DRAWN	DRAW NO	F34C21-162PL	2D/3D	edition	1
Specification	F34PL-05M	DESIGN	Iris	DATE	14.09.05
Weight	7.60kgs/pcs	UNITS	mm	CHECKED	APPROVED
SURFACE	RAW	SCALE	1:7	Proofread	

MARK	NAME	RETRIEVE CONTENTS	DATE

