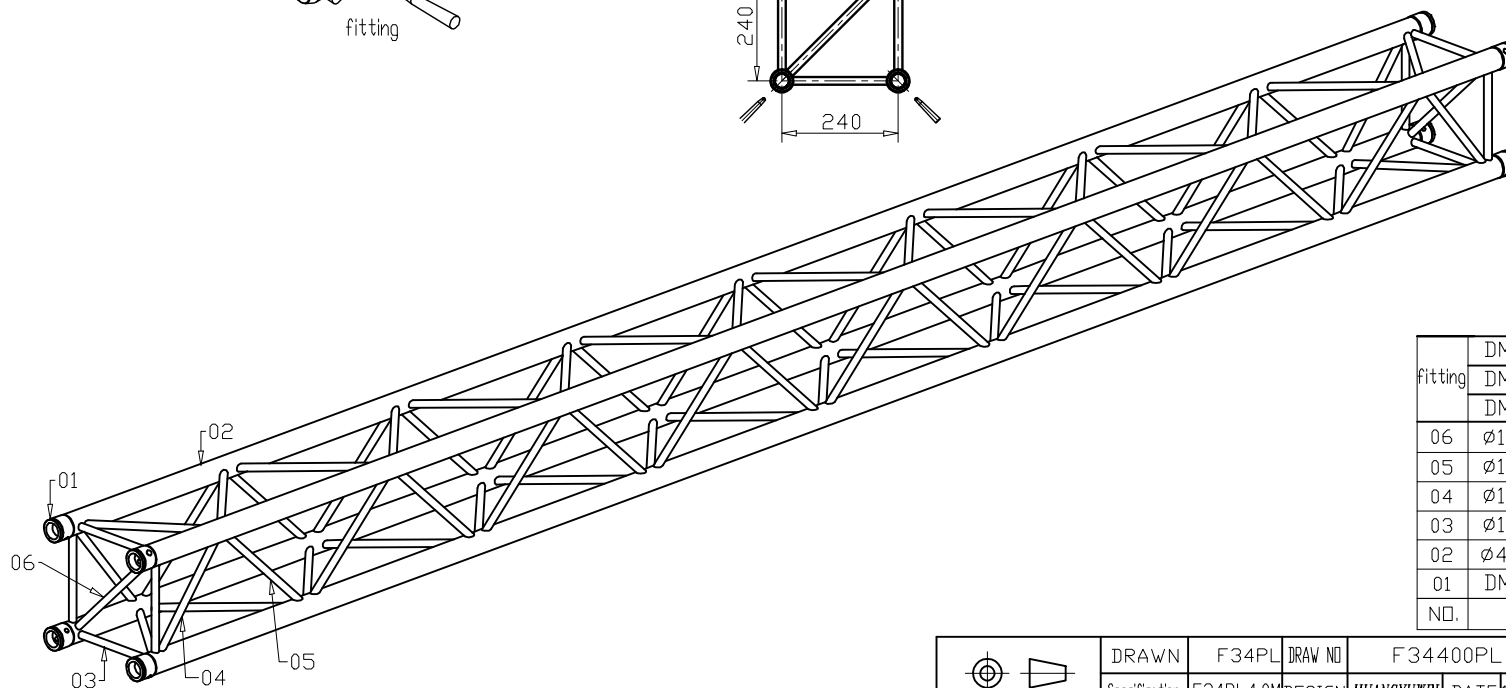
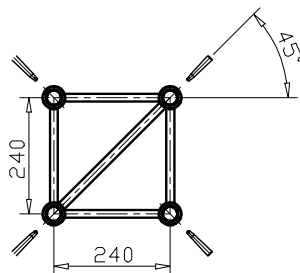


fitting



fitting	DMS-01-1	Steel	ZP	8
	DMS-12-4A	S45C	ZP	8
	DMS-12-3	#2011	T6	4
06	∅16*2.0t*291.4mm	#6082	T6	2
05	∅16*2.0t*293.9mm	#6082	T6	56
04	∅16*2.0t*257.6mm	#6082	T6	8
03	∅16*2.0t*191.5mm	#6082	T6	8
02	∅48*3.0t*3920mm	#6082	T6	4
01	DMS-12-1R	#6082	T6	8
NO.	SPEC.	MATERIAL	FIN.	QTY.

	DRAWN	F34PL	DRAW NO.	F34400PL	2D/3D	edition	2	
	Specification	F34PL4.0M	DESIGN	HUANGYUWEI	DATE	13.01.28	CHECKED	APPROVED
	Weight	**kgs/pcs	UNITS	mm	Proofread			
	SURFACE	RAW	SCALE	1:15				

MARK	NAME	RETRIEVE CONTENTS	DATE

