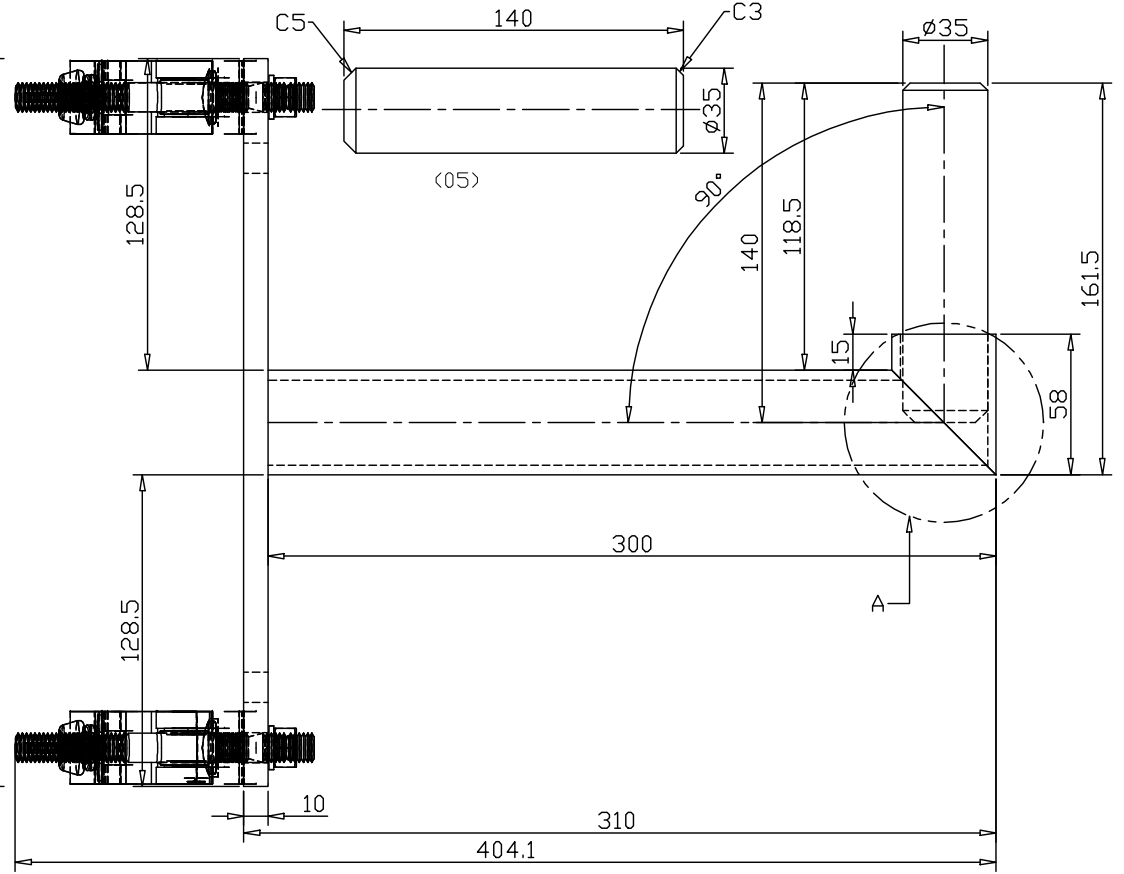
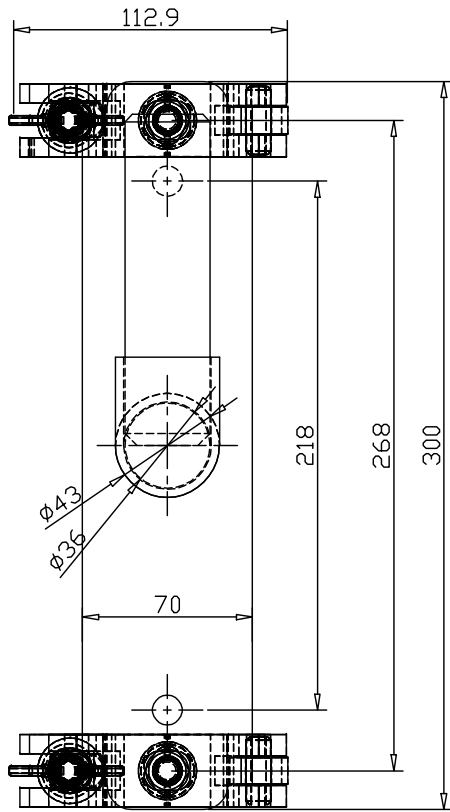
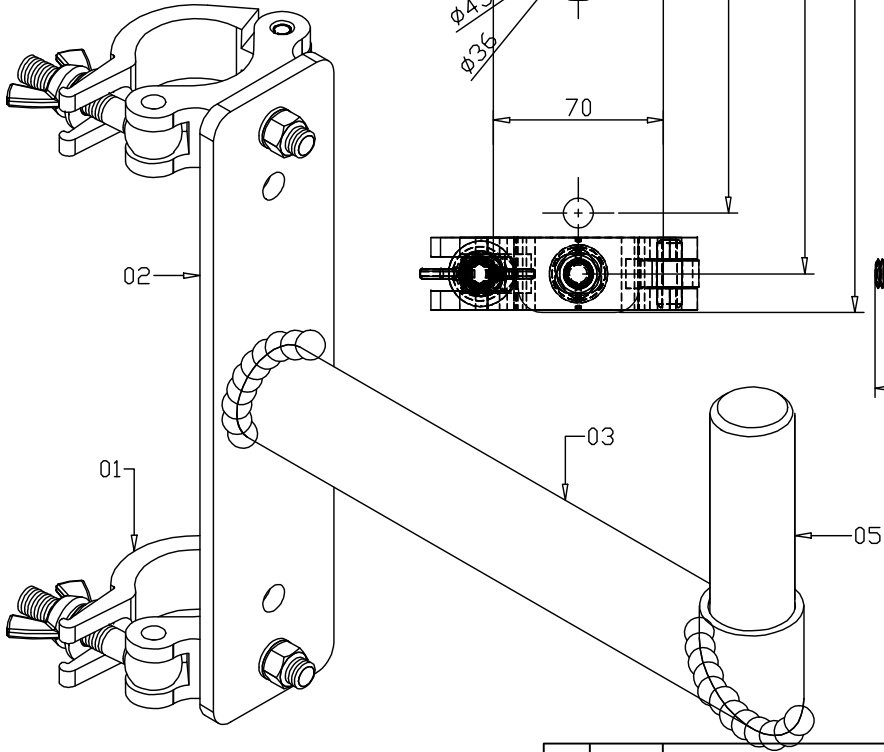


VIEW:A



05	$\phi 35 \times 140 \text{mm}$	#6082	T6	1
04	$\phi 43 \times 3.5 \text{t} \times 58 \text{mm}$	#6082	T6	1
03	$\phi 43 \times 4.0 \text{t} \times 300 \text{mm}$	#6082	T6	1
02	PJ-LB123A	#6061	T6	1
01	ST5008<40mm>	#6061	T6	2
NO.	SPEC.	MATERIAL	FIN.	QTY

MARK	NAME	RETRIEVE	CONTENTS	DATE

	DRAWN	***	DRAW NO	LJJ24	2D/3D	edition	2	
	Specification		DESIGN	Iris	DATE	15.03.27	CHECKED	APPROVED
	Weight	***kgs/pcs	UNITS	mm	Proofread			
	SURFACE	RAW	SCALE	1:3				

