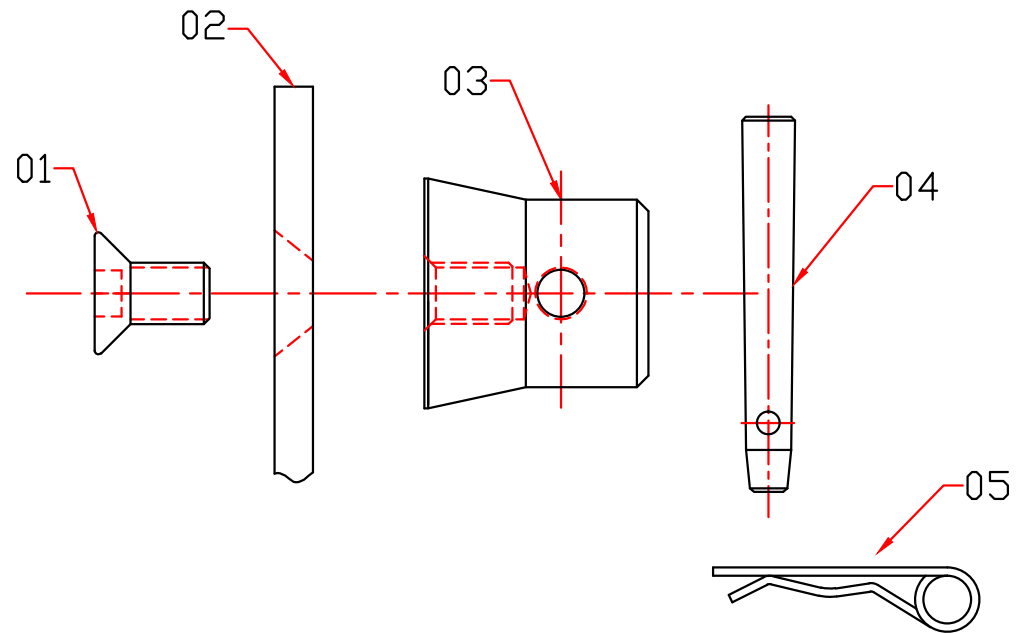


T=5MM



NO#	ITEM#	QTY
01	569-068-160	4PCS
02	ST96217-1	1PCS
03	DMS-09-3C	4PCS
04	DMS-09-4	4PCS
05	DMS-01-1C	4PCS

	DESIGNER	Kelly	2015.12.14		
TOLETANCE	VERIFIER		MATERIAL	6061	SCALE 1:2
<6 ±0.2	APPROVER		CUSTOMER NO.		UNITS mm
>6-20 ±0.25			NAME		
>20-60 ±0.3			DRAWING NO.	ST96217	OFFICIAL EDITION
>60 ±0.4					
ANGLE ±0.5°					

