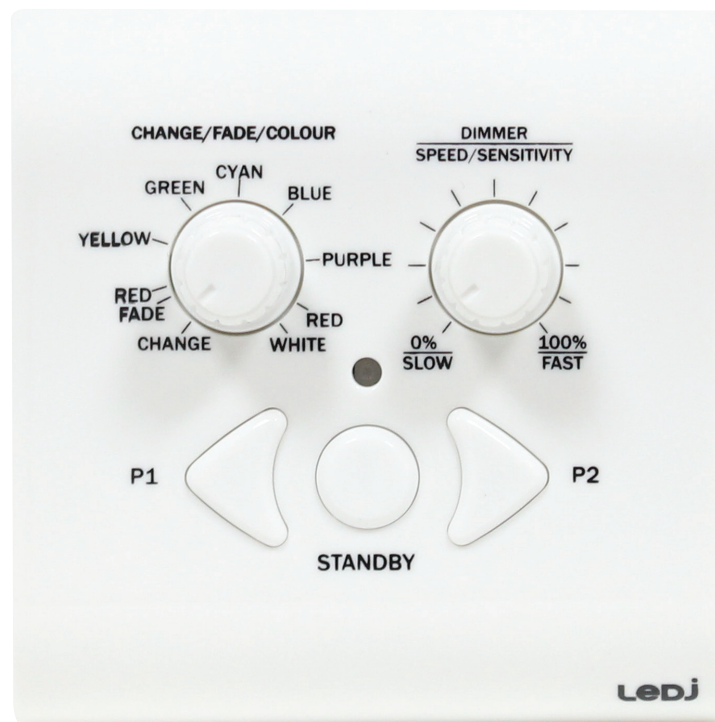


LEDj

Visio FLEXICON DMX Controller User Manual



Order code: FLEX31

WARNING

FOR YOUR OWN SAFETY, PLEASE READ THIS USER MANUAL CAREFULLY BEFORE YOUR INITIAL START-UP!

- Before your initial start-up, please make sure that there is no damage caused during transportation.
- Should there be any damage, consult your dealer and do not use the equipment.
- To maintain the equipment in good working condition and to ensure safe operation, it is necessary for the user to follow the safety instructions and warning notes written in this manual.
- Please note that damages caused by user modifications to this equipment are not subject to warranty.



IMPORTANT:

The manufacturer will not accept liability for any resulting damages caused by the non-observance of this manual or any unauthorised modification to the equipment.

- This product is designed to be installed by a competent, qualified installation technician into commercial environments.
- Never let the power cable come into contact with other cables. Handle the power cable and all mains voltage connections with particular caution!
- Never remove warning or informative labels from the unit.
- Do not open the equipment and do not modify the unit.
- Do not connect this equipment to a dimmer pack.
- Do not switch the equipment on and off in short intervals, as this will reduce the system's life.
- Only use the equipment indoors.
- Do not expose to flammable sources, liquids or gases.
- Always disconnect the power from the mains when equipment is not in use or before cleaning! Only handle the power-cable by the plug. Never pull out the plug by pulling the power-cable.
- Make sure that the available voltage is 12V DC.
- Make sure that the power cable is never crimped or damaged. Check the equipment and the power cable periodically.
- If the equipment is dropped or damaged, disconnect the mains power supply immediately and have a qualified engineer inspect the equipment before operating again.
- If the equipment has been exposed to drastic temperature fluctuation (e.g. after transportation), do not connect power or switch it on immediately. The arising condensation might damage the equipment. Leave the equipment switched off until it has reached room temperature.
- If your product fails to function correctly, stop use immediately. Pack the unit securely (preferably in the original packing material), and return it to your Pro Light dealer for service.
- Only use fuses of same type and rating.
- Repairs, servicing and power connection must only be carried out by a qualified technician. THIS UNIT CONTAINS NO USER SERVICEABLE PARTS.
- This lighting fixture is for professional use only - it is not designed for or suitable for household use. The product must be installed by a qualified technician in accordance with local territory regulations. The safety of the installation is the responsibility of the installer. The fixture presents risks of severe injury or death due to fire hazards, electric shock and falls.
- WARRANTY: One year from date of purchase.

OPERATING DETERMINATIONS

If this equipment is operated in any other way, than those described in this manual, the product may suffer damage and the warranty becomes void. Incorrect operation may lead to danger e.g: short-circuit, burns and electric shocks etc.

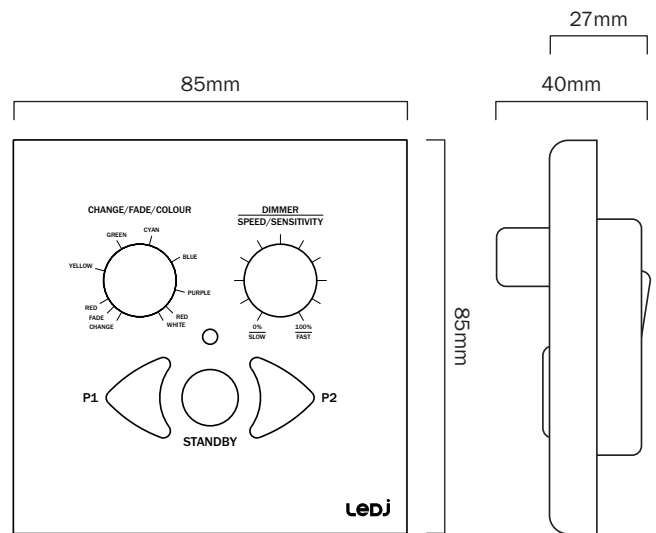
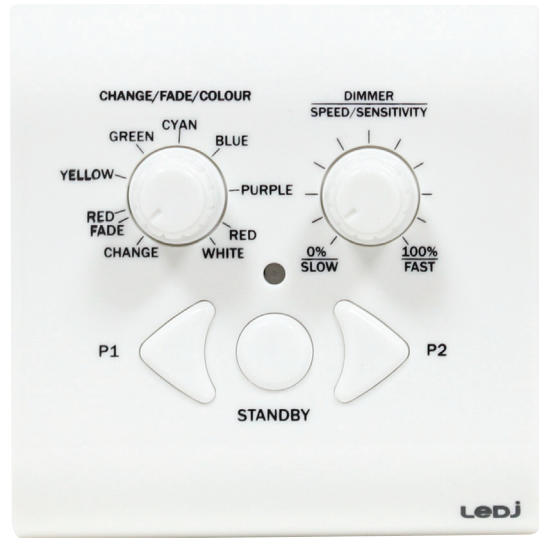
Do not endanger your own safety and the safety of others!

Incorrect installation or use can cause serious damage to people and/or property.

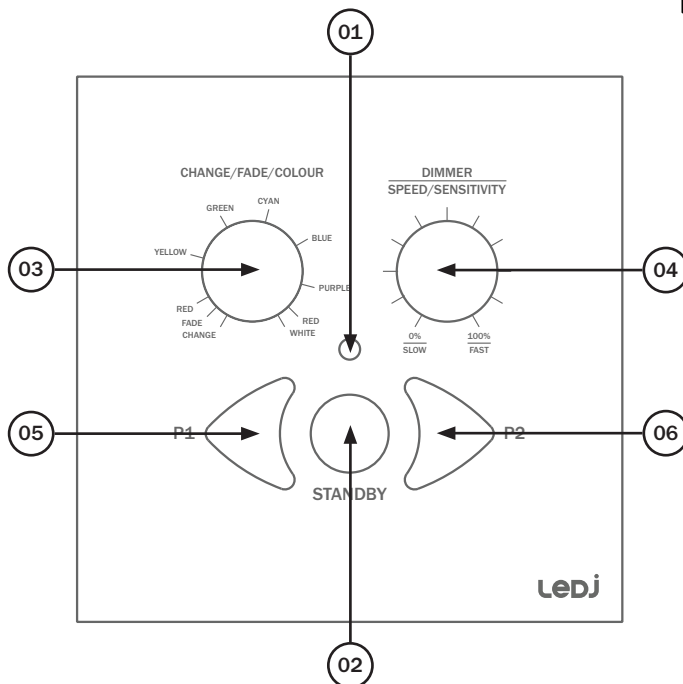
Visio FLEXICON DMX Controller

A user friendly controller, perfect for mood creation in hotels, bars and venues. Suitable for DMX control over installed fixtures such as LED flexible tape, architectural or basic stage lighting. Designed for use with RGB or RGBW fixtures, the FLEXICON can be configured during installation via a simple dipswitch for either three or four channel DMX operation. The FLEXICON features a tri-colour LED indicator to mimic the output colour, allowing the user to see the effect directly from the wall plate. It is also suitable for installation into single gang, electrical back boxes for convenient integration.

- 3 or 4 channel DMX output, can control one group of LED fixtures
- Colour chase (sound active), colour fade (speed adjustable) or static colour operation (with dimmer control)
- Two rotary controls, one for colour selection and one for speed/dimmer adjustment
- Two memory buttons, each button can save one scene
- Integral microphone for sound activation
- Standby button
- Spring loaded terminals for DMX output and power input



Specifications	Visio FLEXICON DMX Controller
Power supply	DC 12V (PSU not included)
Dimensions	85 x 85 x 40mm
Weight	0.1kg
Order code	FLEX31



In the box: **1 x unit & 1 x user manual**

- 01 - Standby button
- 02 - LED indicator
- 03 - Change/fade/colour rotary control
- 04 - Dimmer/speed/sensitivity rotary control
- 05 - Program 1 button
- 06 - Program 2 button

Program selection:

To set the program required turn the **“CHANGE/FADE/COLOUR”** rotary control into the position required. The LED indicator will emulate the colour selected.

Speed/brightness/sensitivity:

To set the speed (fade)/brightness (static colour)/sound sensitivity (change) required turn the **“DIMMER/SPEED/SENSITIVITY”** rotary control into the position required.

Saving a scene:

To save a scene first set the program and speed/brightness/sensitivity. Once this has been done press and hold either the **“P1”** or **“P2”** buttons for 5 seconds to save the scene to that button.

Playing a scene:

To play a scene already saved press either the **“P1”** or **“P2”** buttons to run the scene programmed to that button.

Overwriting a scene:

To overwrite a scene first set the new program and speed/brightness/sensitivity. Once this has been done press and hold either the **“P1”** or **“P2”** buttons for 5 seconds to save the scene to that button. This will overwrite any currently saved scene.

Standby (blackout):

To enter standby (blackout) press the **“STANDBY”** button the unit will enter standby (blackout) and the LED indicator will dim to indicate this. To exit standby (blackout) press the **“STANDBY”** button the unit will exit standby (blackout) and the LED indicator will show the current LED colour to indicate this.

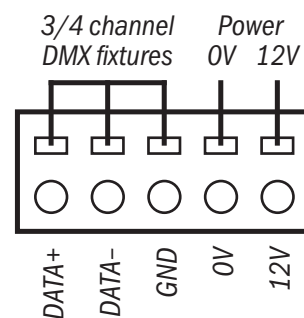
RGBW/RGB modes:

To change the unit between **“RGBW”** and **“RGB”** modes, detach the X shaped plastic panel on the rear (see image below). On the front side will be 2 dipswitches. Slide dipswitch 1 to the up position for **“RGBW”** mode or the down position for **“RGB”** mode (see diagram below). Clip the X shaped plastic containing the PCB back into the housing.



Connections:

Please connect DMX and power to the unit as per the diagram below:



Please contact your local retailer to purchase these related items.



LEDJ Flexoled FTP3 RGB LED DMX Driver
Order code: FLEX27



LEDJ Flexoled FTP4 RGBW LED DMX Driver
Order code: FLEX28



LEDJ Flexoled FTP3HP RGB LED DMX Driver
Order code: FLEX30



Transcension Universal 12V DC 500mA
Power Supply (UK, EU, US, AU)
Order code: BOTE70

To keep up-to-date on the latest accessories and product range additions please visit www.prolight.co.uk



***Correct Disposal of this Product
(Waste Electrical & Electronic Equipment)***

**(Applicable in the European Union and other European countries
with separate collection systems)**

This marking shown on the product or its literature, indicates that it should not be disposed of with other household wastes at the end of its working life. To prevent possible harm to the environment or human health from uncontrolled waste disposal, please separate this from other types of wastes and recycle it responsibly to promote the sustainable reuse of material resources.

Household users should contact either the retailer where they purchased this product, or their local government office, for details of where and how they can take this item for environmentally safe recycling.

Business users should contact their supplier and check the terms and conditions of the purchase contract. This product should not be mixed with other commercial wastes for disposal.



LEDj