



# VENTIS 206

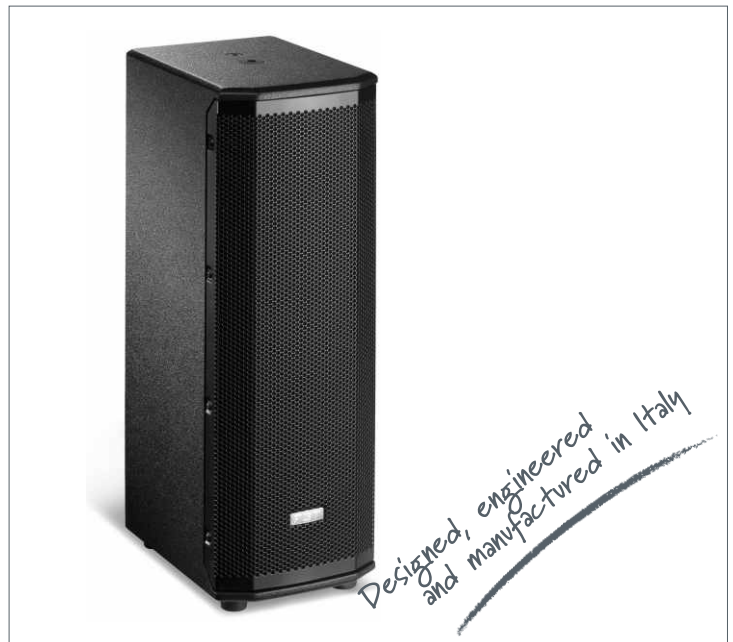
Passive Reinforcement Speaker

## APPLICATIONS

- Band P.A.
- Personal monitor
- Small theatres
- Auditoriums
- Piano bar
- DJ
- Stage monitor
- Conference rooms
- Fixed installations in live clubs
- Pubs
- Gyms

## KEY FEATURES

- 2-way passive sound reinforcement speaker
- 400W RMS recommended amplifier
- 0,47" birch plywood scratch resistant enclosure
- Rotatable horn
- Built-in passive crossover
- Control panel features 2 x Speakon NL-4 IN&LINK
- Completely manufactured in Italy



## PRODUCT DESCRIPTION

The FBT VENTIS 206 has been designed to meet the highest standards in both performance and aesthetic appeal. The FBT VENTIS 206 can be deployed as a front fill, an under-balcony fill, as a main providing pristine speech intelligibility or simply as companion of a subwoofer. The FBT VENTIS 206 incorporating 2 x 6.5" LF woofers with 1.5" voice coil, custom made for FBT and 1" exit throat B&C HF compression driver with 1.4" voice coil; a fully rotatable constant directivity horn ensure accurate coverage (70° H x 50° V). With a frequency range from 75Hz to 20kHz the FBT VENTIS 206 speaker provide high fidelity sound for both speech and music applications with a maximum SPL of 127dB. Ideal for small fixed installations the FBT VENTIS 206 speaker system have an impedance of 8 Ohm and the internal crossover is at a fixed frequency of 2kHz. Constructed in 0,47" birch plywood, the FBT VENTIS 206 has an integrated rear handle. Rear panel connections feature 2 x NL4 Neutrik Speakon. The optional mounting bracket allow the FBT VENTIS 206 speaker to be surface mounted on walls or ceilings.

## ELECTRICAL SPECIFICATIONS

System Type	2 Way
Recommended amplifier	400W RMS
Long term power *	200W
Short term power (IEC 268-5)**	800W
Nominal impedance	8 Ohm
Frequency Response	75Hz - 20kHz (@ -6dB)
Sensitivity	97dB (@ 1W / 1mt)
Maximum SPL cont/peak	123 / 127dB
Dispersion	70° H x 50°V rotatable
Crossover frequency	2kHz
Recommended HP filter	60Hz / 24dB oct

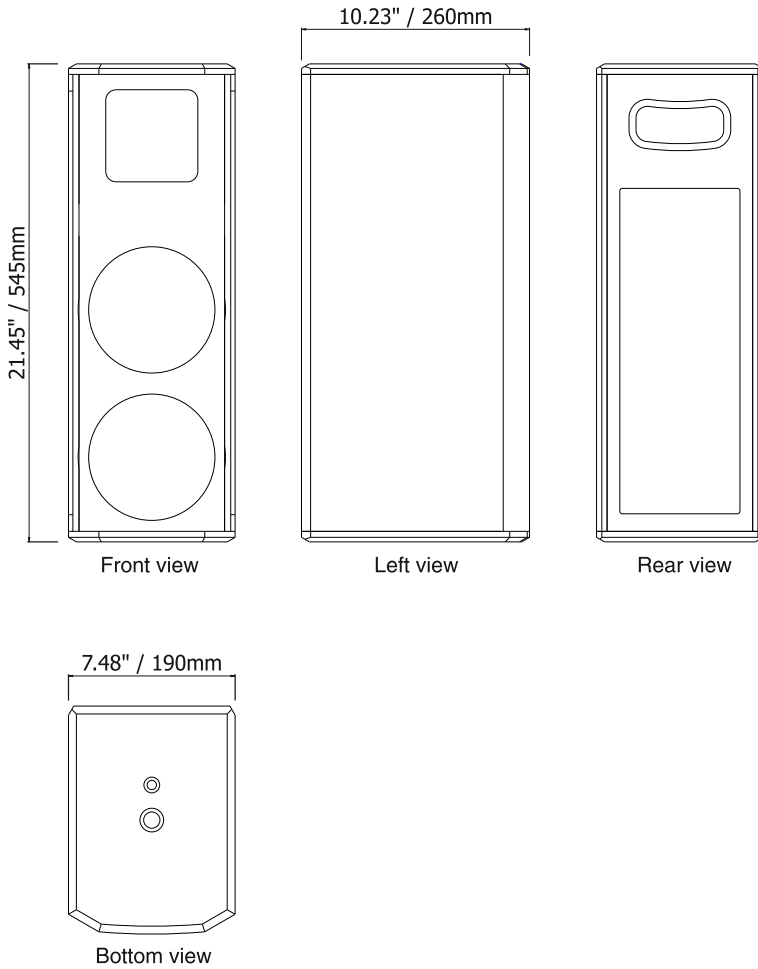
## PHYSICAL SPECIFICATIONS

Low Frequency Woofer	2 x 6.5" / 1.5" coil	
High Frequency Driver	1" / 1,4" coil	
Input Connectors	2 x Speakon	
Net Dimensions (WxHxD) inch	7.48 x 21.45 x 10.23	
	mm	190 x 545 x 260
Net Weight	11.5kg / 25.35lbs	
Enclosure Material	0.47" birch plywood	

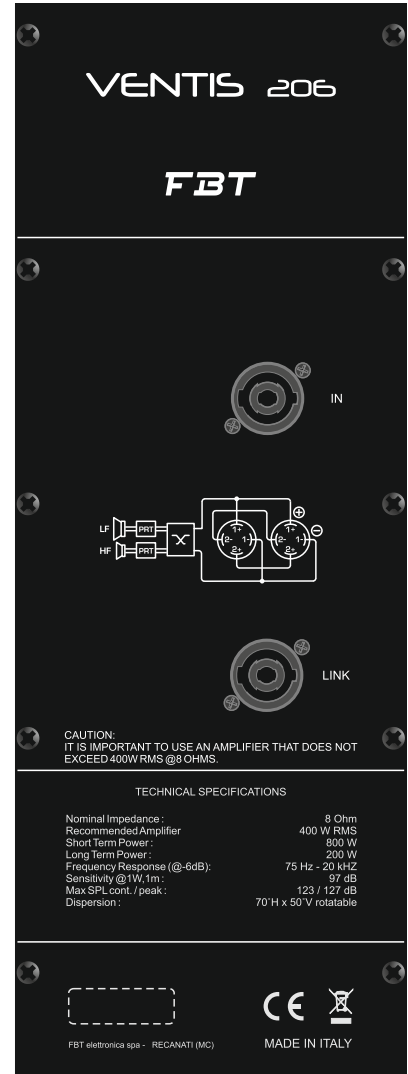
\* 100 hour power test, IEC-268-5 standard (display the long term RMS voltage handling, using IEC filtered 6dB crest factor pink noise).

\*\* Based on peak level of 6dB crest factor random noise signal used for test.

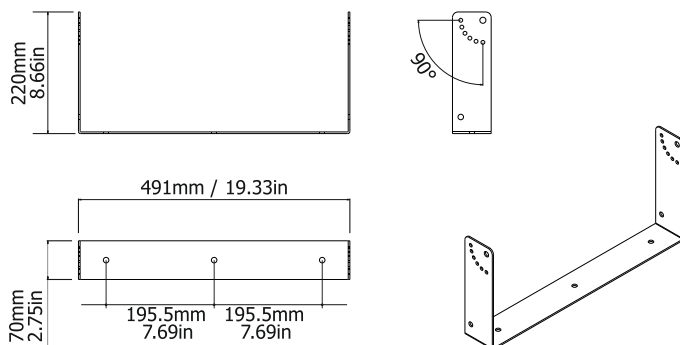
## DIMENSIONAL DRAWINGS



## CONTROL PANEL



## ACCESSORIES



**Caution.**

This FBT loudspeaker should be suspended overhead only in accordance with the procedures and limitations specified in the user's manual. This system should be suspended in compliance with local and state overhead suspension ordinances. The VENTIS speakers use only with FBT mount for wall installation.