



# SHADOW 114S

## APPLICATIONS

- Convention centers
- Athletic fields
- Stadiums
- Theme parks
- Swimming pools
- Cruise ships
- Malls
- Ballrooms
- Outdoor background music

## KEY FEATURES

- Subwoofer
- Sturdy molded polyethylene curved enclosure
- 14" woofer with 3" coil
- Line transformer (optional)
- 4 wires cable to select the power tapping
- IP55 weather resistant
- Standard grey finish
- Completely manufactured in Italy

## ALL WEATHER LOUDSPEAKERS



## PRODUCT DESCRIPTION

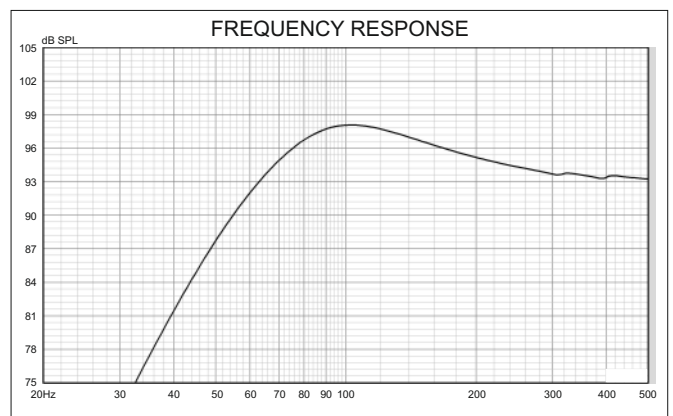
The SHADOW 114S is a weatherproof subwoofer loudspeaker system offering substantial power and efficiency for a variety of professional indoor or outdoor applications. The low frequency transducer is a 14" woofer with a 3" voice coil. An optional transformer is also available providing impedance matching to 100V lines with 300W power. The cabinet is a single piece rotational moulded in polyethylene, fully UV protected. The cabinet is equipped with a stainless steel U-bracket. The grille is in custom perforated stainless steel with 3 layers of protection. The SHADOW 114S meets the requirements of IP55 code ( International Protection Rating ).

## ELECTRONIC SPECIFICATIONS

System Type	subwoofer
Recommended Amplifier	700W RMS
Long Term Power	350W
Short Term Power (IEC 268-5)	1400W
Transformer (optional)	100V / 300W
Nominal Impedance	8 Ohm
Frequency Response	60Hz - 400Hz (@-6dB)
Sensitivity	97dB (@1W, 1m)
Max SPL (cont/peak) (bi-amp)*	125.5dB / 129.5dB
Dispersion	omnidirectional
Crossover Frequency	external
Recommended HP Filter	40Hz - 24dB oct.

## PHYSICAL SPECIFICATIONS

Low Frequency Woofer	14" / 3" coil
Input Connectors	4 wires cable
Net Dimensions (WxHxD) inch	16.92 x 16.92 x 15.74
Net Weight	37.47 lbs
Enclosure Material	Polyethylene rotomoulded
Grille	Custom perforated stainless steel



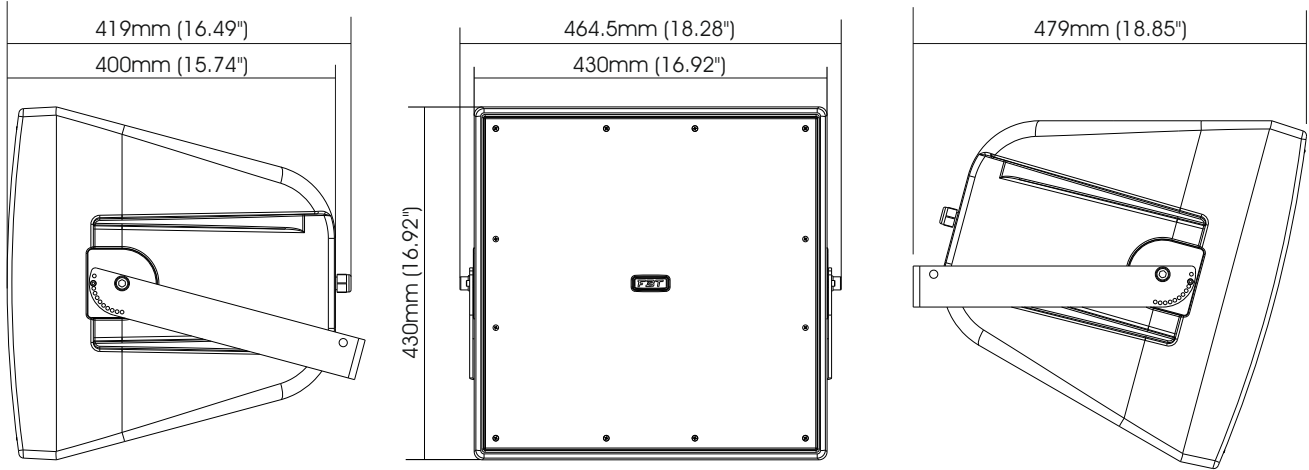
\* CONT. SPL: half space, based on recommended amp rating and LF transducer average sensitivity data, 125ms time average  
PEAK SPL: half space, based on short term applicable power rating and system peak sensitivity, 10ms time average



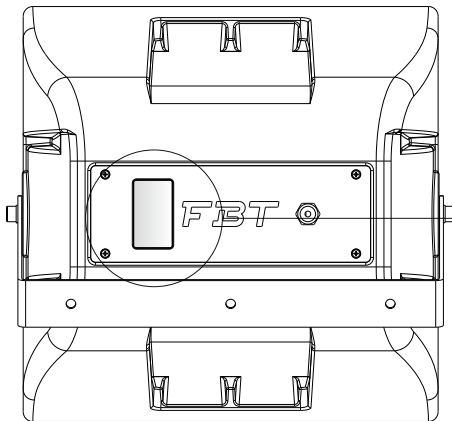
# SHADOW

## 114S

### DIMENSIONAL DRAWINGS



### TECHNICAL SPECIFICATIONS LABEL



**SHADOW**  
114S ALL WEATHER LOUSPEAKERS

**FBT**

Recommended Amplifier: 700W  
System Long Term Power: 350W  
Dispersion: omnidirectional  
Nominal Impedance: 8 Ohm

Connections: Black - COM  
Blue - NC  
Brown - NC  
Red - 8 Ohm

MADE IN ITALY

CE

### SUPPLIED ACCESSORY

