



# SHADOW

## APPLICATIONS

- Convention centers
- Athletic fields
- Stadiums
- Theme parks
- Swimming pools
- Cruise ships
- Malls
- Ballrooms
- Outdoor background music

## KEY FEATURES

- 2-way
- Sturdy molded polyethylene curved enclosure
- 5" woofer with 1" coil
- 1" HF driver
- 100V Line transformer
- 7 wires cable to select the power tapping
- IP55 weather resistant
- Standard grey finish RAL 7011
- Completely manufactured in Italy

## 105T

Multipurpose full range loudspeaker



IP55  
WEATHER  
RESISTANT

## PRODUCT DESCRIPTION

The SHADOW 105T is a weatherproof two way loudspeaker system offering substantial power and efficiency for a variety of professional indoor or outdoor applications. The low frequency transducer is a 5" woofer with a 1" voice coil. The SHADOW 105T features a line transformer for 70-100V applications with selectable power tapping. The cabinet is a single piece rotational moulded in polyethylene, fully UV protected. The cabinet is equipped with a die cast aluminum wall bracket with ball/socket for multi angle adjustment capability. The SHADOW 105T meets the requirements of IP55 code (International Protection Rating).

## ELECTRONIC SPECIFICATIONS

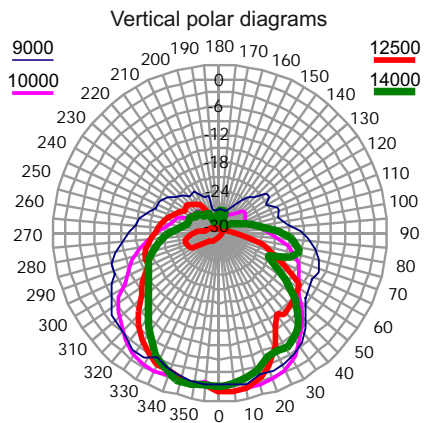
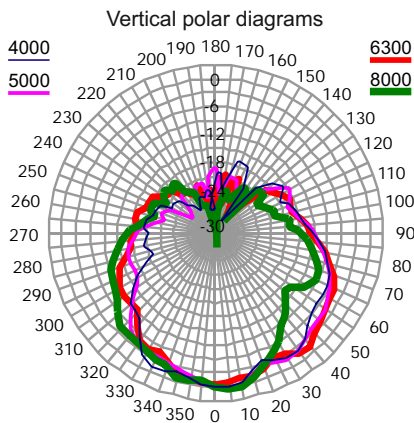
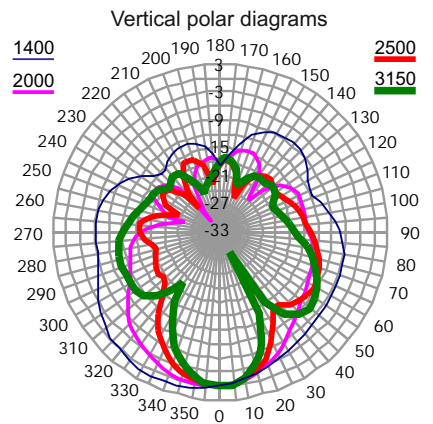
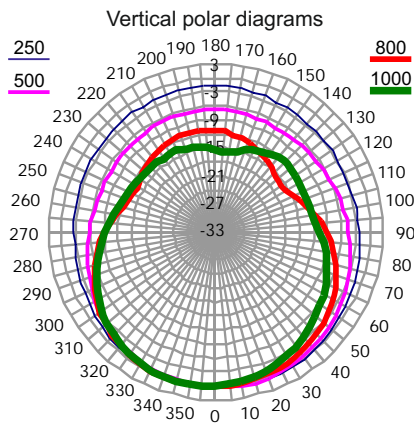
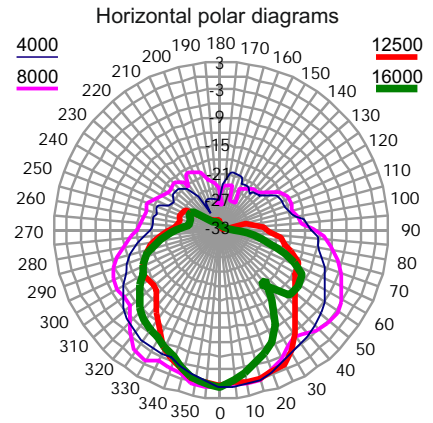
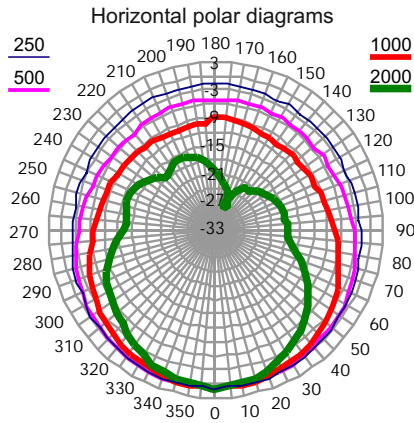
System Type	2 Way
Recommended Amplifier	120W RMS
System Long Term Power	60W
System Short Term Power (IEC 268-5)	240W
Transformer	100V / 50W
Nominal Impedance	8 Ohm
Frequency Response	90Hz - 20kHz (@-6dB)
Sensitivity	89dB (@1W, 1m)
Max SPL (cont/peak)*	109dB / 112dB
Dispersion	100°
Crossover Frequency	3kHz
Recommended HP Filter	70Hz - 24dB oct.

## PHYSICAL SPECIFICATIONS

Low Frequency Woofer	5" / 1" coil
High Frequency Driver	1"
Input Connectors	7 wires cable
Net Dimensions (WxHxD) inch	6,61 x 8,74 x 7,87
Shipping Dimensions (WxHxD) inch	10,03 x 11,02 x 8,85
Net Weight	7,7 lbs
Shipping Weight	9,5 lbs
Enclosure Material	Polyethylene rotomoulded
Grille	Custom perforated aluminium

\* CONT. SPL: free space, based on recommended amp rating and LF transducer average sensitivity data, 125mS time average  
PEAK SPL: free space, based on short term applicable power rating and system peak sensitivity, 10mS time average

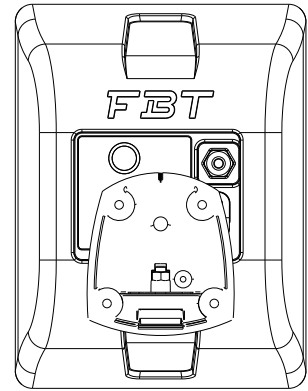
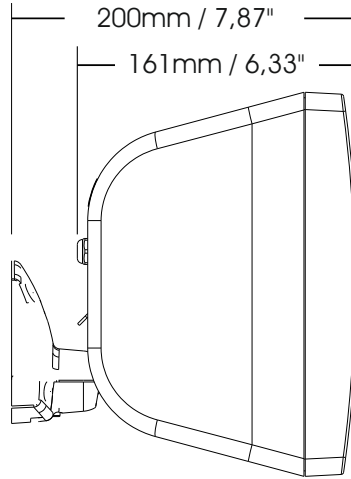
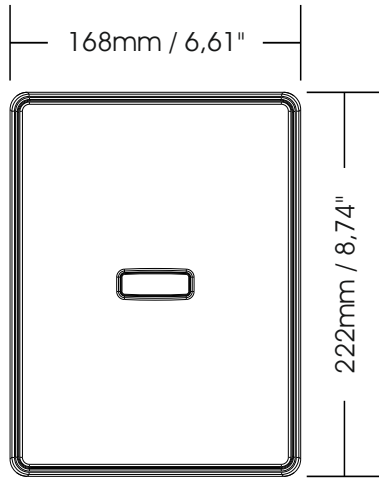
DIAGRAMS



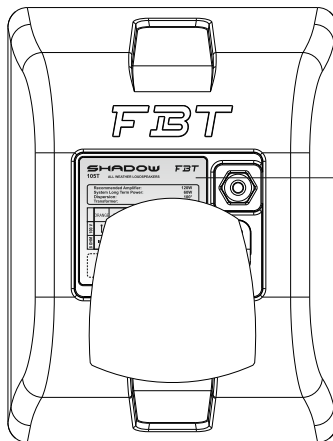


# SHADOW

## DIMENSIONAL DRAWINGS



## TECHNICAL SPECIFICATIONS LABEL



**SHADOW FBT**  
105T ALL WEATHER LOUDSPEAKERS

Recommended Amplifier: 120W  
System Long Term Power: 60W  
Dispersion: 100°  
Transformer: 100V / 50W

	ORANGE	RED	YELLOW	GREEN	BLUE	BROWN	BLACK
100 V	link	IN + 15W	IN + 25W	IN + 40W	IN + 50W	IN - com	
8 OHM	IN +	nc	nc	nc	nc	nc	IN -

MADE IN P.R.C.  
ENGINEERED IN ITALY by  
FBT ELETTRONICA SpA

