



ProMAXX 114A

PROCESSED ACTIVE SPEAKER

APPLICATIONS

- Live sound PA system
- Live sound monitor
- DJ system
- School and corporate audio visual sound reinforcement
- Background music/announcements: restaurants, pubs
- Transportation terminals, Clubs, Auditorium, Theatres, Gims, Houses of worship

KEY FEATURES

- 2-way bi-amplified bass reflex design
- Biamped: 700W RMS/LF and 200W RMS/HF
- DSP with graphic display
- Polypropylene cabinet
- High efficiency switch mode power supply
- Control panel features balanced XLR/Jack combo input, XLR M out, 2 x volume, RCA stereo input, DSP with rotative encoder and push
- 12°, 40°, 55° monitoring angles



PRODUCT DESCRIPTION

The FBT PROMAXX 114A is a 2-way biampified bass reflex design cabinet. With a specially developed polypropylene cabinet and stylish full grille aesthetic The FBT PROMAXX 114A represents the next step in the evolution of a portable sound classic. The FBT PROMAXX 114A incorporating a 14" LF neodymium woofer with 3" voice coil and 1.4" exit throat B&C HF compression driver with 2.5" voice coil; with a constant directivity horn (90° H x 60° V) ensure accurate coverage and with a frequency range from 45Hz to 20kHz the FBT PROMAXX 114A speaker provide high fidelity sound for both speech and music applications with a maximum SPL of 135.5dB. Low frequencies are driven by a highly efficient 700W RMS Class D topology, operating with extremely low THD; for HF 200 W RMS is delivered via a Class H/AB design. Onboard is a powerful digital signal processing platform; a total of 6 pre-optimised settings are available, plus 2 further slots for users to form their own designs, using 5 parametric equalizers per slot. The two M10 suspension points along with the optional mounting bracket allow the FBT PROMAXX 114A speaker to be surface mounted on wall or ceiling and a standard 1.38" speaker stand socket allows the FBT PROMAXX 114A to be mounted on speaker stand.

ELECTRICAL SPECIFICATIONS

System Type	2 Way
Internal amplifiers LF/HF*	max. 700W / 200W RMS max. peak 1400W / 400W
Input Impedance	22 kOhm
Frequency Response	45Hz - 20kHz (@-6dB)
Maximum SPL cont/peak**	127.5 / 135.5dB
Dispersion	90°H x 60°V
AC Power Requirement	600VA

PHYSICAL SPECIFICATIONS

Low Frequency Woofer	14" / 3" coil
High Frequency Driver	1.4" / 2.5" coil
Input Connectors	XLR combo, XLR M, RCA st.
Net Dimensions (WxHxD) inch	15.8 x 25.4 x 13.6
mm	402 x 644 x 345
Net Weight	17.5kg / 40.78lb
Enclosure Material	Polypropylene
Power Cord	16,4ft / 5mt

* Max.: 2mS burst, RMS power on nominal speaker impedance
Max. peak: based on max peak output voltage and nominal speaker impedance

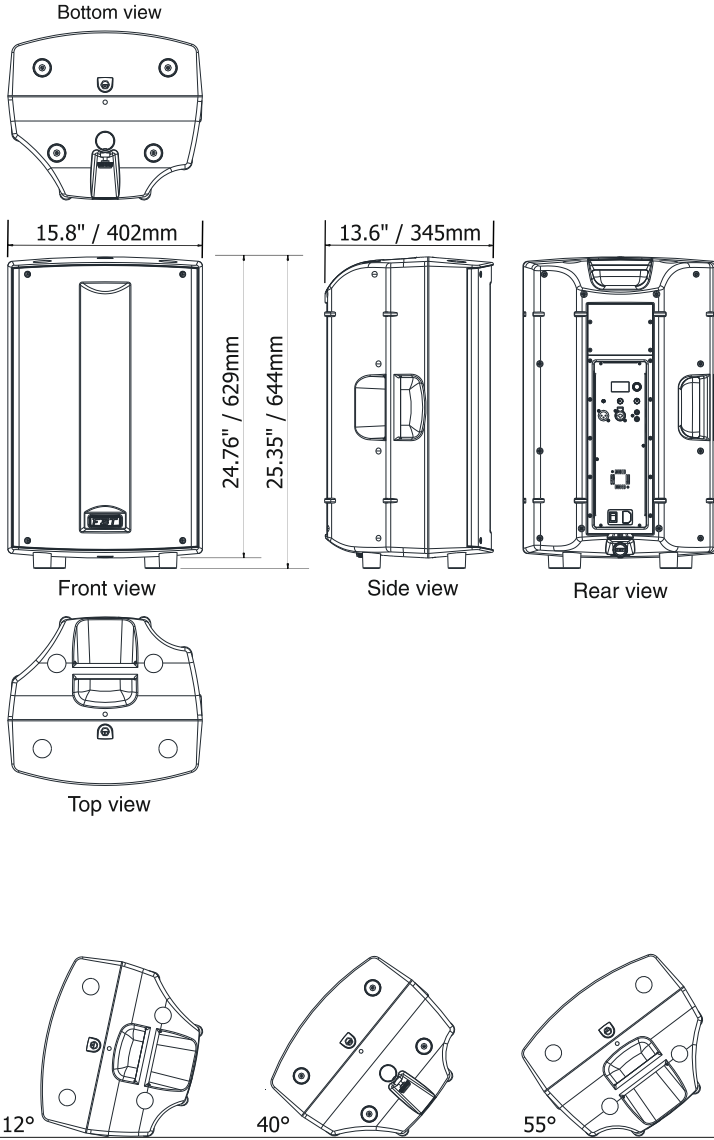
** Cont. SPL: free space, based on power amp rating and LF transducer average sensitivity data, 125mS time average
Peak SPL: free space, based on max. peak power amp rating and system peak sensitivity, 10mS time average



ProMaxX 114A

PROCESSED ACTIVE SPEAKER

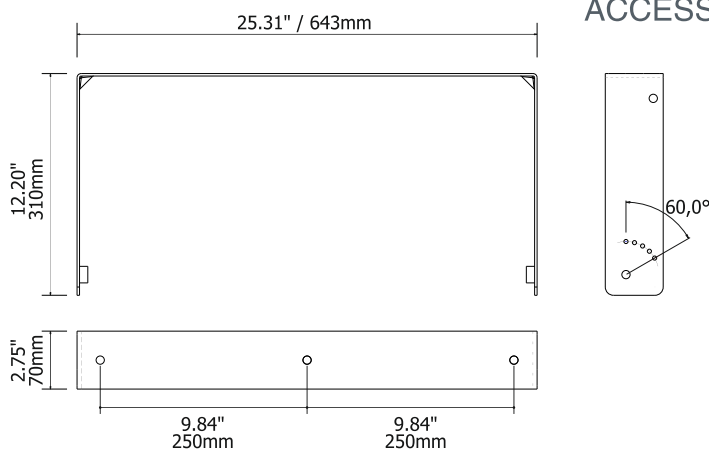
DIMENSIONAL DRAWINGS




CONTROL PANEL



ACCESSORIES



Caution. 

This FBT loudspeaker should be suspended overhead only in accordance with the procedures and limitations specified in the user's manual. This system should be suspended in compliance with local and state overhead suspension ordinances. The PROMAXX speakers use only with FBT mount for wall installation.