

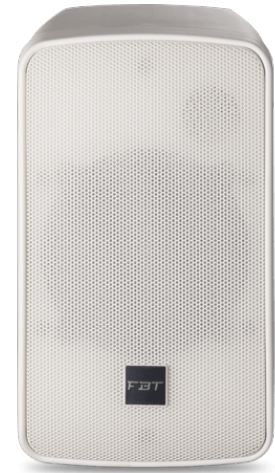
Passive Point Source

MAIN APPLICATIONS

- House of Worship
- School & corporate audio visual sound reinforcement
- Background music, announcements
- Clubs
- Auditoriums
- Theatres

MAIN FEATURES

- 2-way coaxial
- 70/100V line transformer
- Recommended amplifier 120W RMS
- 5" LFW with 1.5" coil
- 1" HFD with 1" coil
- Input connectors Euroblock IN & throu
- Gas injected polypropylene enclosure
- Speaker wall/ceiling mount stand
- Available in black and white color



DESCRIPTION

The FBT CANTO 5T serie speakers feature lightweight in gas injected polypropylene enclosure. Available in black or white finish, the FBT CANTO 5T provides fixed installations with an elegant design that blends into any decor. The FBT CANTO 5T is of two ways design incorporating a 5" coaxial low frequency woofer with 1.5" voice coil and 1" high frequency driver with 1" voice coil coupled to 90° dispersion. The internal crossover is at a fixed frequency of 3kHz; with a frequency range of 80Hz to 20kHz, the FBT CANTO 5T provide high fidelity sound for both speech and music applications with a maximum SPL of 117dB. The FBT CANTO 5T incorporate a switchable 70V/100V transformer with power selector from 7.5W to 60W and low impedance connection (16 Ohm). Rear panel feature a terminal block IN & throu for bare wire connection. 4 anchor positions at the rear of the cabinet allow the use of a horizontally and vertically adjustable wall/ceiling stand.

TECHNICAL SPECIFICATIONS

GENERAL

Configuration	way	2 - Coaxial
Low frequency woofer	inch	5 - 1.5 coil
High frequency driver	inch	1 - 1 coil
Transformer	V/W	100 / 60

ACOUSTIC SPEC.

Frequency response	(@ -6dB)	80 Hz - 20kHz
SPL max. (cont / peak)	dB	114 / 117
Dispersion	H x V	90°
Sensitivity	dB	93
Crossover frequency	kHz	3
Recommended HP filter		70 Hz - 24 dB oct.

INPUTS / OUTPUTS

Connectors		Euroblock in & throu
------------	--	----------------------

AMPLIFIER

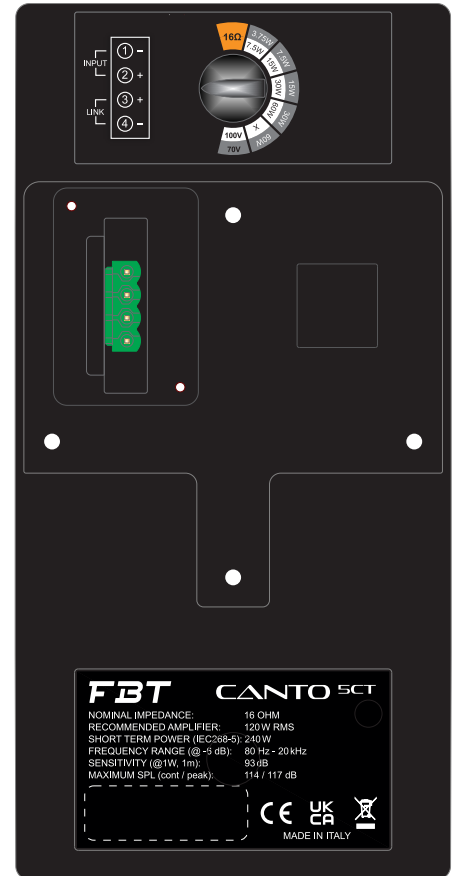
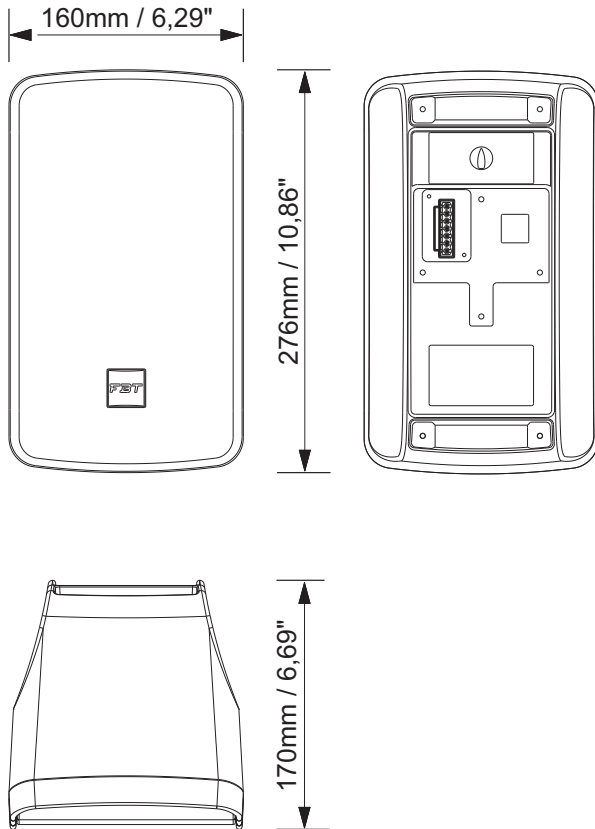
Recommended amplifier	W RMS	120
Long term power	W	60
Nominal impedance	Ohm	16

MECHANICAL SPEC.

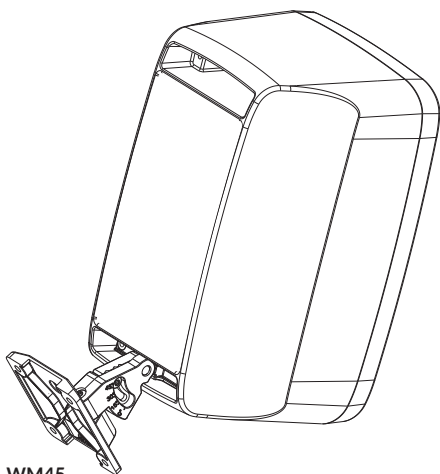
Material		Gas injected polypropylene
Net size (WxHxD)	inch	6,29 x 10,86 x 6,69
Net weight	Lbs	7,71

DIMENSIONAL DRAWING

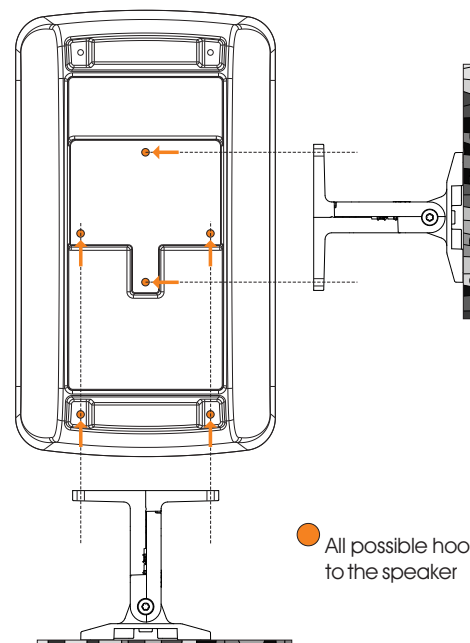
CONTROL PANEL



ACCESSORIES



WM45
Speaker wall / ceiling mount stand



● All possible hooks holder to the speaker