



# ARCHON 208S

Passive Sound Reinforcement Subwoofer

## APPLICATIONS

- Bars, Pubs, Restaurants, Retail shops, Clubs
- Entertainment venues, Fitness centres
- Conference rooms, Theatres
- Houses of worship, Exhibition centres

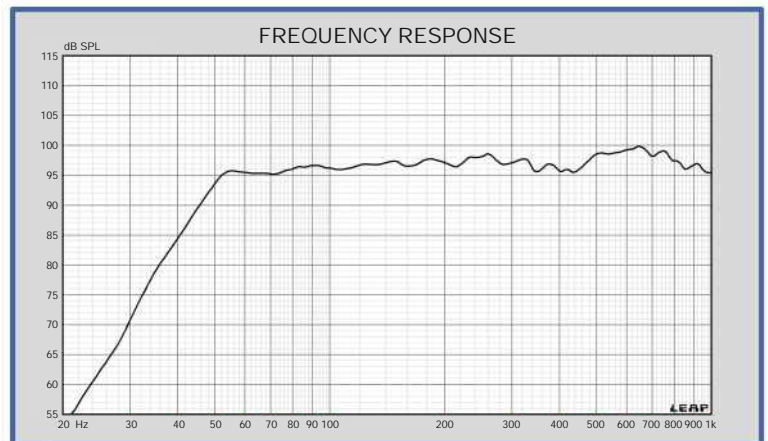
## KEY FEATURES

- Passive subwoofer with bass-reflex enclosure
- 0.59" birch plywood cabinet
- 2 x 8" custom made high excursion woofers
- 600W RMS recommended amplifier
- Max. SPL 132dB peak
- Two pocket handles
- 2 x Speakon NL-4 connectors
- Available in black or white extra texture paint
- Completely manufactured in Italy



## PRODUCT DESCRIPTION

The FBT ARCHON 208S is a 2 x 8" passive sound reinforcement subwoofer. The FBT ARCHON 208S meet the following performance criteria: frequency response of 50Hz to 500Hz, frequency sensitivity of 95dB, maximum SPL of 132dB peak, 600W RMS recommended amplifier. The FBT ARCHON 208S features 0,59" birch plywood construction covered in a scratch resistant black or white paint with two pocket handles. The rear facing input panel provides 2 x Neutrik NL4 speakon female connectors.



## ELECTRONIC SPECIFICATIONS

System Type	1 way
Recommended Amplifier	600W RMS
System Long Term Power	300W
System Short Term Power (IEC 268-5)	1200W
Nominal Impedance	8 Ohm
Frequency Response	50Hz - 500Hz (@-6dB)
Sensitivity	95dB (@1W, 1m)
Max SPL (cont/peak) (bi-amp)*	129dB / 132dB half space
Dispersion	omnidirectional
Crossover Frequency	external active
Recommended HP Filter	40Hz - 24dB oct.

## PHYSICAL SPECIFICATIONS

Low Frequency Woofer	2 x 8" / 2" coil
Input Connectors	2 x Speakon NL4
Net Dimensions (WxHxD) inch	21,65 x 11,22 x 18,89
Shipping Dimensions (WxHxD) inch	27,16 x 14,56 x 24,60
Net Weight	39,6 lbs
Shipping Weight	44 lbs
Enclosure Material	0.59" baltic plywood
Grille	Steel with powder coat black or white paint finish

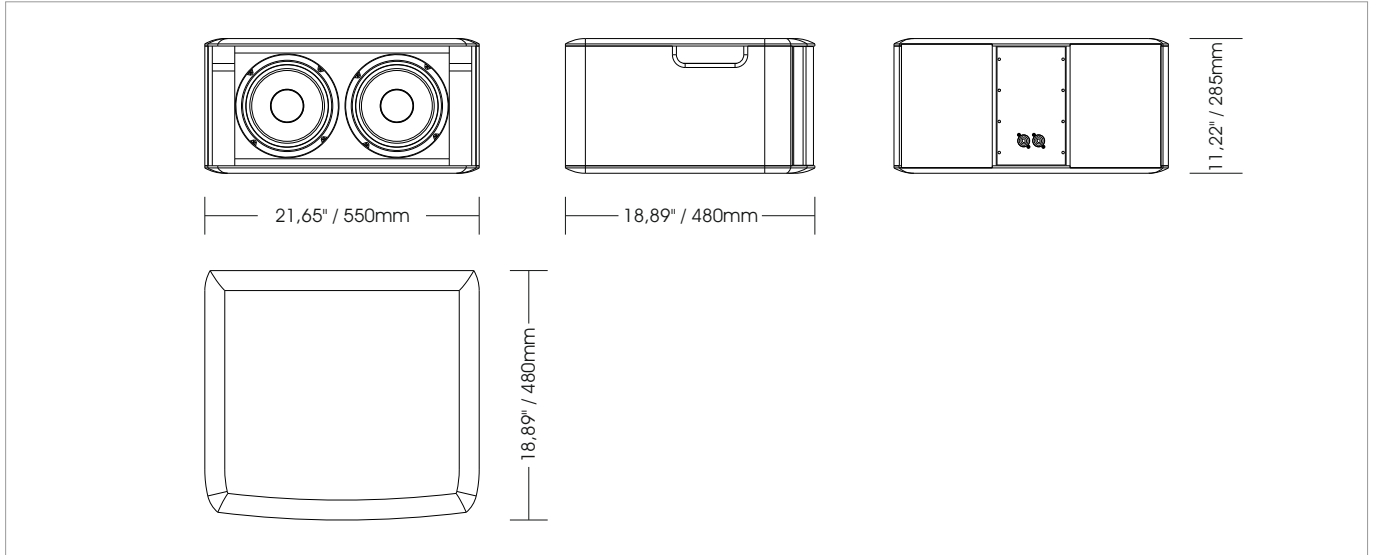
\* CONT. SPL: free space, based on recommended amp rating and LF transducer average sensitivity data, 125mS time average  
PEAK SPL: free space, based on short term applicable power rating and system peak sensitivity, 10mS time average



# ARCHON 208S

Passive Sound Reinforcement Subwoofer

## DIMENSIONAL DRAWINGS



## CONNECTION PANEL

**ARCHON**  
Installation Loudspeakers **208S**

**FBT**

Recommended Amplifier: 600W RMS  
Nominal Impedance: 8 Ohm  
System Long Term Power: 300W  
System Short Term Power: 1200W  
Frequency Response: 50Hz - 500Hz  
Dispersion: omnidirectional

LINK

MADE IN ITALY

## ACCESSORIES

AC W208 for suspended installation

