

EQUINOX

Aluminium Lightweight DJ Booth System MKII

User Manual



Order code: EQLED12P

WARNING

FOR YOUR OWN SAFETY, PLEASE READ THIS USER MANUAL CAREFULLY BEFORE YOUR INITIAL START-UP!



- Site the booth on a level, stable surface
- Booth must be unfolded and setup as per diagram overleaf.
- Incorrect setup may lead to additional stress on the frame and components.
- Take care to keep fingers, body parts and loose clothing away from moving parts
- Shelf loading: 25kg max. (evenly distributed)
- Do not stand or sit on the shelf

Aluminium Lightweight DJ Booth System MKII

This ultra lightweight, aluminium Equinox DJ Booth system comes supplied with a sturdy shelf, carry bag and white and black lycra covers. Additionally you can create a white starcloth effect when combining the white lycra supplied and the optional black starcloth. The latest add-on to this system is the optional overhead kit, this allows the user to create a full light show without the need to have separate lighting stands.

Specifications	
Dimensions	1302 x 115 x 700mm (folded) 1298 x 1463 x 730mm (set-up) 885 x 1413 x 705mm (internal)
Shelf height	885mm
Shelf max. load	25kg (evenly distributed)
Frame weight	7.25kg
Shelf weight	8.85kg
Weight	20.2kg
Order code	EQLED12P

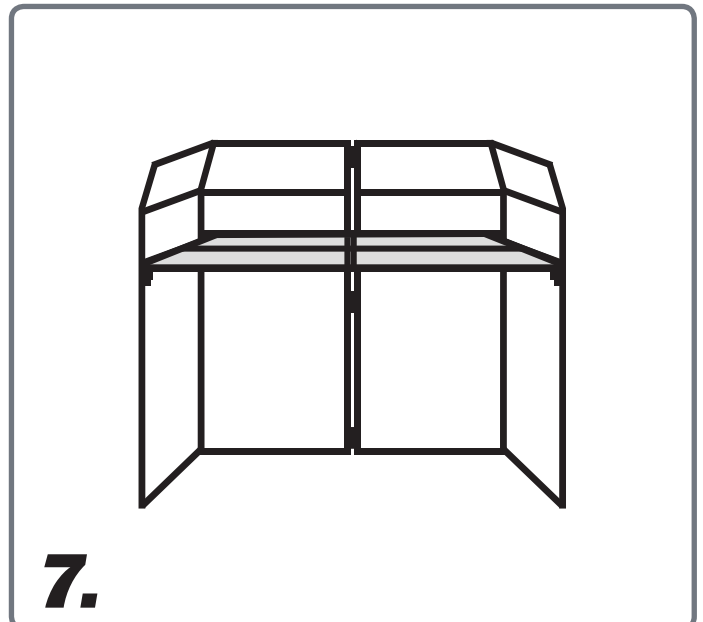
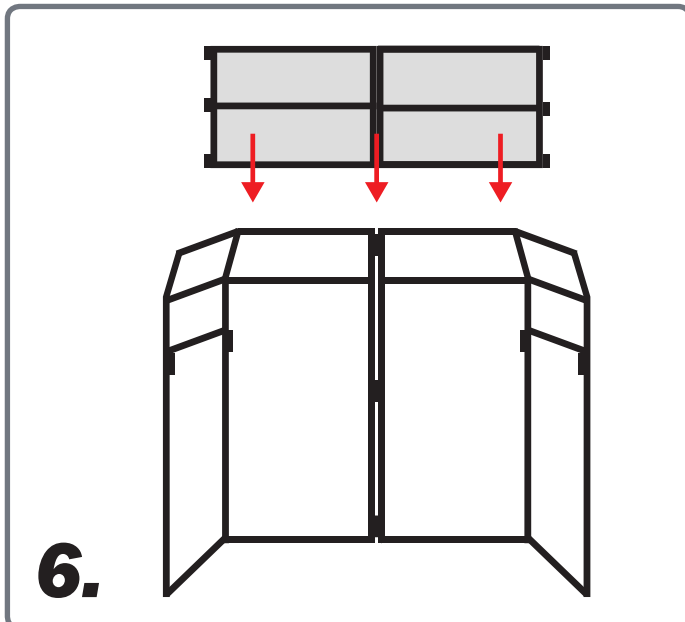
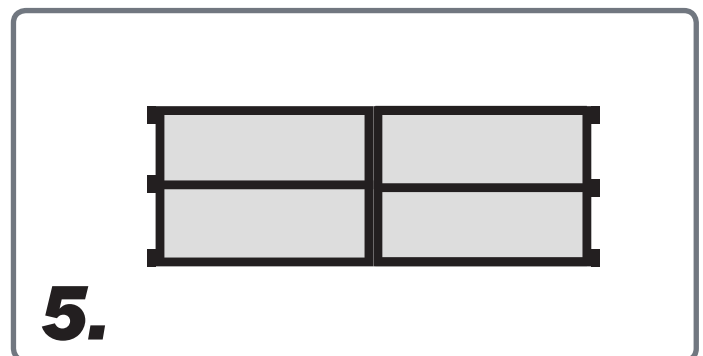
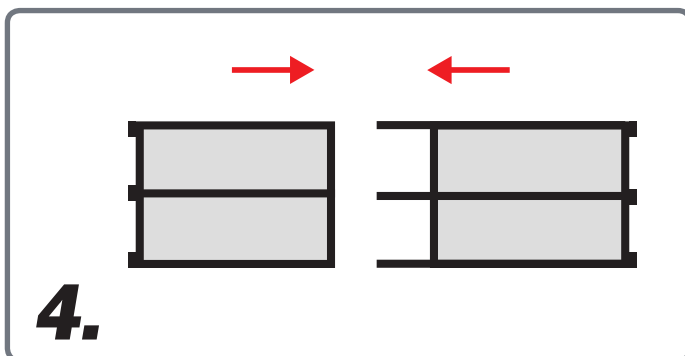
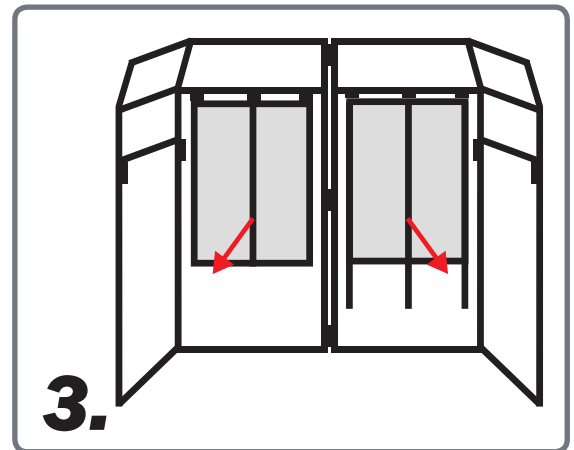
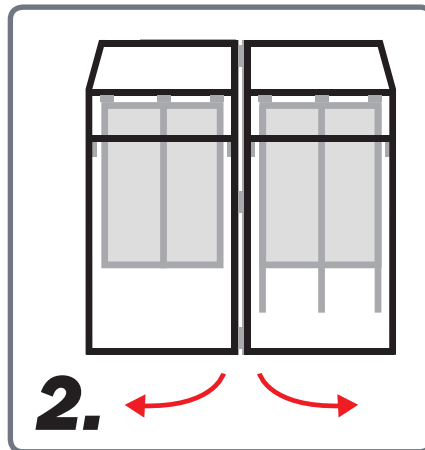
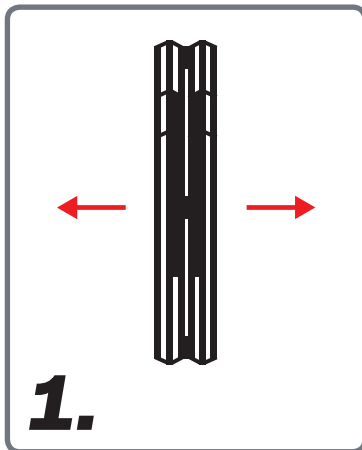


Includes sturdy shelf to support a variety of equipment



Carry Bag Included

To set up the DJ Booth stand correctly, please follow the 7 steps below.



Please contact your local retailer to purchase these accessories.



Optional Overhead kit - This allows the user to create a full light show without the need to have separate lighting stands
Order code: EQLED12E



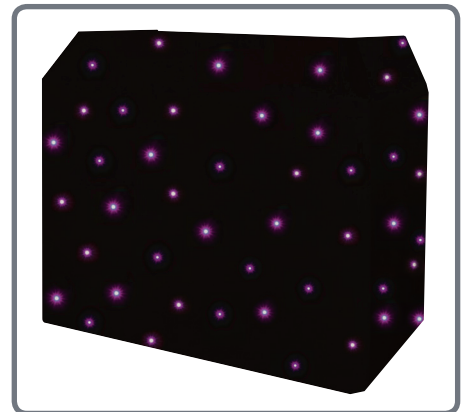
Overhead kit close-up and how it connects to the DJ Booth System



Optional Black Lycra available to purchase should you need one in the future
Order code: EQLED12A



Optional Black Starcloth with white LEDs and controller
Order code: EQLED12B



Optional Black Starcloth with quad-colour LEDs and controller
Order code: EQLED12N



You can also create a white starcloth effect by covering the optional black starcloth with the supplied white lycra



Optional White Lycra available to purchase should you need one in the future
Order code: EQLED12C

Optional accessories	Order code
Overhead kit	EQLED12E
Black starcloth with quad-colour LEDs	EQLED12N
Black starcloth with white LEDs	EQLED12B
Black lycra	EQLED12A
Spare White lycra	EQLED12C