

elumen8

DB1300 DMX Stage Blinder User Manual



Order codes: ELUM065

WARNING

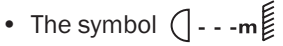
FOR YOUR OWN SAFETY, PLEASE READ THIS USER MANUAL CAREFULLY BEFORE YOUR INITIAL START-UP!

- Before your initial start-up, please make sure that there is no damage caused during transportation.
- Should there be any damage, consult your dealer and do not use the equipment.
- To maintain the equipment in good working condition and to ensure safe operation, it is necessary for the user to follow the safety instructions and warning notes written in this manual.
- Please note that damages caused by user modifications to this equipment are not subject to warranty.



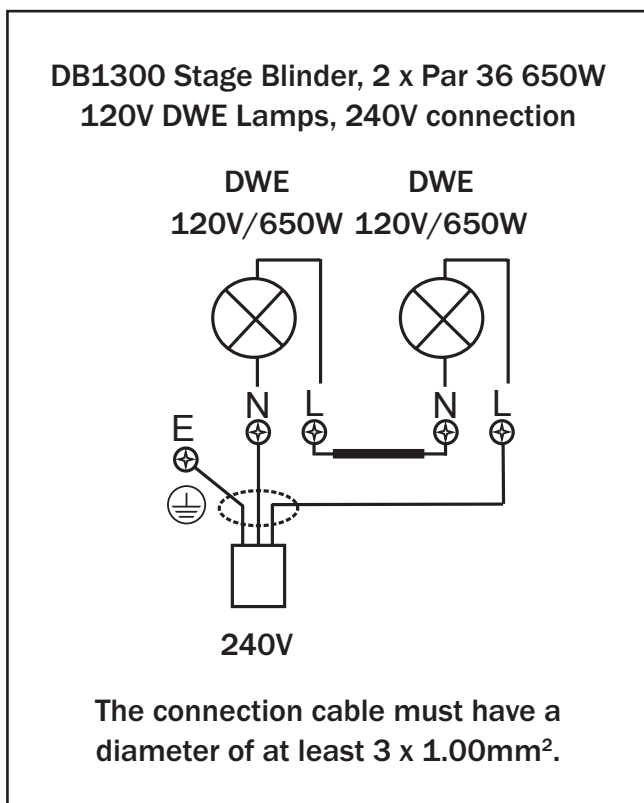
IMPORTANT:

The manufacturer will not accept liability for any resulting damages caused by the non-observance of this manual or any unauthorised modification to the equipment.

- Never let the power cable come into contact with other cables. Handle the power cable and all mains voltage connections with particular caution!
- Never remove warning or informative labels from the unit.
- Do not open the equipment and do not modify the unit.
- Do not connect this equipment to a dimmer pack.
- Do not switch the equipment on and off in short intervals, as this will reduce the system's life.
- Only use the equipment indoors.
- Do not expose to flammable sources, liquids or gases.
- Always disconnect the power from the mains when equipment is not in use or before cleaning! Only handle the power-cable by the plug. Never pull out the plug by pulling the power-cable.
- Make sure that the available mains supply voltage is 240V AC, 50Hz.
- Make sure that the power cable is never crimped or damaged. Check the equipment and the power cable periodically.
- If the equipment is dropped or damaged, disconnect the mains power supply immediately and have a qualified engineer inspect the equipment before operating again.
- If the equipment has been exposed to drastic temperature fluctuation (e.g. after transportation), do not connect power or switch it on immediately. The arising condensation might damage the equipment. Leave the equipment switched off until it has reached room temperature.
- If your product fails to function correctly, stop use immediately. Pack the unit securely (preferably in the original packing material), and return it to your Pro Light dealer for service.
- Only use fuses and lamps of the same type and rating.
- This device falls under protection class I. The power plug must only be plugged into a protection class I outlet. The voltage and frequency must be exactly the same as stated on the fixture. Incorrect voltages or power outlets can lead to the destruction of the fixture and to electric shocks.
- During the initial start-up some smoke or smell may arise. This is a normal process and does not necessarily mean that the fixture is defective.
- CAUTION! During the operation, the housing/lamps become extremely hot.
- This device is designed for professional use only e.g. on stages, in discotheques and theatres etc.
- The maximum duty cycle is 1 minute (full on). Afterwards, switch the device off and let it cool down for 3 minutes.
- The fixture must never be operated or stockpiled in surroundings where splash water, rain, moisture or fog may harm the device. Moisture or very high humidity can reduce the insulation and lead to electric shocks. When using smoke machines, make sure the fixture is never exposed to the direct smoke jet and is installed in a distance of 0.5m between the smoke machine and the fixture. The room must only be saturated with an amount of smoke where the visibility is still greater than 10m.
- Never use this fixture during thunderstorms. Over voltage could destroy the fixture. Always disconnect the device during thunderstorms.
- The symbol  determines the minimum distance from lit objects. The minimum distance between light fixture and the illuminated surface must be more than 2m.

- This fixture is only allowed to be installed using the supplied mounting bracket. In order to safeguard sufficient ventilation, leave 0.5m of free space around the device.
- The housing must never touch surrounding surfaces or objects.
- Always secure the fixture with an appropriate safety wire as a security safety measure.
- Repairs, servicing and power connection must only be carried out by a qualified technician. THIS UNIT CONTAINS NO USER SERVICEABLE PARTS.
- This lighting fixture is for professional use only - it is not designed for or suitable for household use. The product must be installed by a qualified technician in accordance with local territory regulations. The safety of the installation is the responsibility of the installer. The fixture presents risks of severe injury or death due to fire hazards, electric shock and falls.
- WARRANTY: Two years from date of purchase. This does not apply to lamps or triac devices.

CABLE/LAMP INSTALLATION



DANGER TO LIFE!
THE INSTALLATION MUST ONLY BE CARRIED OUT BY A QUALIFIED TECHNICIAN.



DANGER TO LIFE!
ONLY INSTALL LAMPS WITH THE FIXTURE SWITCHED OFF!
UNPLUG FROM THE MAINS BEFORE INSTALLING LAMPS.



CAUTION!
THE LAMP HAS TO BE REPLACED WHEN IT IS DAMAGED OR DEFORMED DUE TO THE HEAT.



DO NOT OPERATE THIS FIXTURE WITHOUT THE LAMP CLOSED.

Before replacing the lamp, unplug the mains lead and let the lamp cool down (for approx. 20 minutes).

During the installation do not touch the glass bulbs bare-handed! Please follow the lamp manufacturers notes.

Do not install lamps with a higher wattage. Lamps with a higher wattage generate temperatures the fixture is not designed for. Damages caused non-observance are not subject to warranty.

For installation you will need 2 x Par 36 650W 120V DWE lamps (Order code: LAMP91).

During the operation, the lamp reaches high temperatures of up to 400°C.

To install/replace the lamp follow the procedure below:

Step 1: Unscrew the lamp cover.

Step 2: If replacing the lamp, remove the old lamp from the housing and loosen the screws and wires.

Step 3: Loosen the screws on the on the new Par 36 650W 120V DWE lamp with an appropriate screwdriver.

Step 4: Connect the wires to the lamp using an appropriate screwdriver.

Step 5 Tighten the screws.

Step 6: Insert the lamp into the housing.

Step 7: Screw the lamp cover back onto the fixture.



DANGER TO LIFE!
WHEN INSTALLING THE FIXTURE, MAKE SURE THERE IS NO
HIGHLY-INFLAMMABLE MATERIAL WITHIN A MINIMUM DISTANCE OF 0.5m.

CONNECTION WITH THE MAINS

Connect the fixture to the mains with the power plug. The occupation of the connection cables is as follows:

Cable	Pin	International
Brown	Live	L
Blue	Neutral	N
Yellow/Green	Earth	

Attention! The earth has to be connected.

If the device will be directly connected with the local power supply network, a disconnection switch with a minimum opening of 3mm at every pole has to be included in the permanent electrical installation.

The device must only be connected with an electric installation carried out in compliance with the IEC standards. The electric installation must be equipped with a Residual Current Device (RCD) with a maximum fault current of 30mA.

CONNECTION WITH THE MAINS

If the lamp burns out, the fine-wire fuse of the fixture might fuse too. Only replace the fuse by a fuse of the same type and rating.

Before replacing the fuse, unplug the mains lead.

To replace the fuse follow the procedure below:

Step 1: Unscrew the fuse holder on the rear panel with an appropriate screwdriver from the housing anti-clockwise.

Step 2: Remove the old fuse from the fuse holder.

Step 3: Install the new fuse in the fuse holder.

Step 4: Replace the fuse holder in the housing and screw it back in.

OPERATING DETERMINATIONS

If this equipment is operated in any other way, than those described in this manual, the product may suffer damage and the warranty becomes void. Incorrect operation may lead to danger e.g: short-circuit, burns and electric shocks etc.

Do not endanger your own safety and the safety of others!

Incorrect installation or use can cause serious damage to people and/or property.

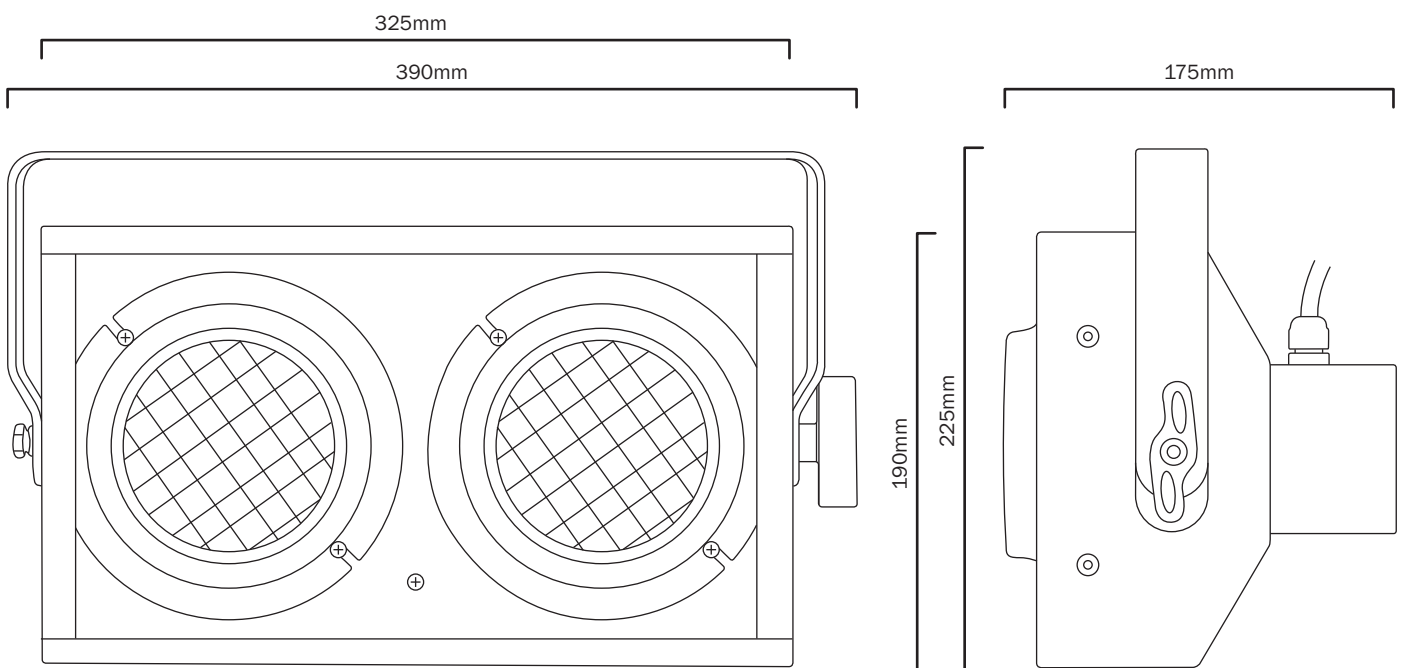
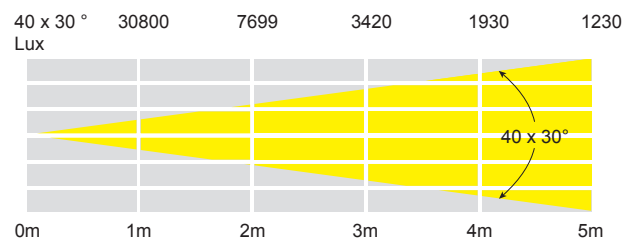
DB1300 DMX 2 Cell Stage Blinder

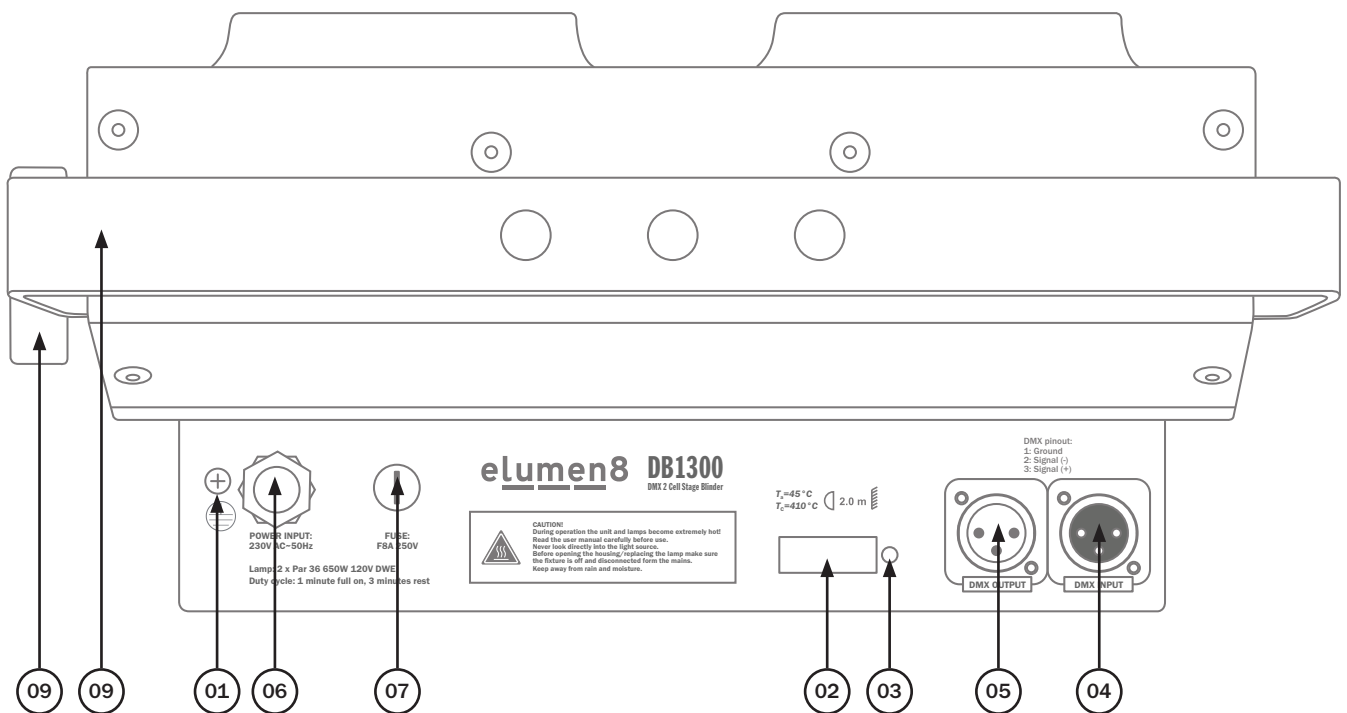
The eLumen8 DB1300 Blinder features an integral, 1CH DMX dimmer allowing traditional blinders to be added into lighting rigs without any bulky dimmer racks. Utilising industry standard 650W DWE MFL lamps wired in series the 2-cell blinder delivers the warm tones of halogen from a compact, rugged chassis. Ideal for use on stage.

- 2 x 120V 650W DWE lamps wired in series (Order code: LAMP91 - not supplied)
- Beam angle: 40° x 30°
- 7699 Lux @ 2m (full on)
- DMX channels: 1
- Dimming, auto and master/slave modes
- Dipswitch mode/address selection
- 0-100% dimming
- Captive power connection fitted with a 13A UK plug
- 3-Pin XLR input/output
- Convection cooled



Specifications	DB1300 Stage Blinder
Power consumption	1320W
Max. ambient temperature T _a	45 °C
Max. distance from flammable surfaces	0.5m
Minimum distance to lit object	2m
Duty cycle	1 minute (full on)
Cooling time	3 minutes
Power supply	240V, 50Hz
Fuse	F8A 250V
Dimensions	225 x 390 x 175mm
Weight	3.2kg
Order code	ELUM065

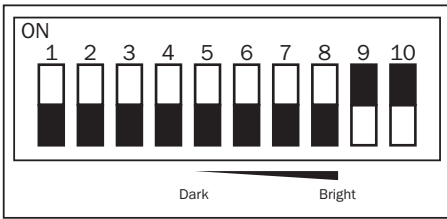




- 01 - Earth point
- 02 - Dipswitches
- 03 - DMX signal indicator
- 04 - 3-Pin DMX input
- 05 - 3-Pin DMX output
- 06 - Captive power connection
- 07 - Fuse F8A 250V
- 08 - Hanging bracket
- 09 - Hanging bracket adjustable knob

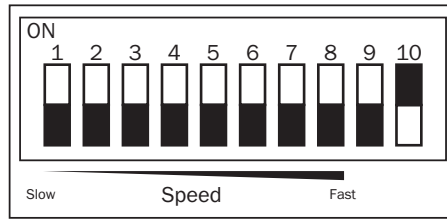
In the box: **1 x fixture**
& 1 x user manual

Manual mode:



To set the fixture into “Manual Mode”, set dipswitches “9” and “10” to the “ON” position. The brightness of the two lamps can then be adjusted via dipswitches “5” to “8”.

Auto mode:



To set the fixture into “Auto Mode”, set dipswitch “10” to the “ON” position. The dim speed of the two lamps can then be adjusted via dipswitches “1” to “8”. When dipswitches “1” to “8” are “ON” the dim speed is very slow. When dipswitches “1” to “8” are “OFF” the dim speed is very fast.

DMX mode:



To use the fixture in “DMX Mode”, use dipswitches “1” to “9” to set the desired DMX address.

Addressing

Each device occupies 1 channel. To ensure that the control signals are properly directed to each device the fixture requires addressing. This needs to be changed for every fixture by changing the dipswitches as set out in the table below. The starting address is defined as the first channel from which the device will respond to the controller. Please make sure that you do not have any overlapping channels in order to control each fixture correctly and independently from any other fixture on the DMX data link. If two, three, or more devices are addressed similarly, they will work similarly.

Occupation of the dipswitches:

Dipswitch number	1	2	3	4	5	6	7	8	9
DMX starting address	1	2	4	8	16	32	64	128	256

Fixture 1 - Channel 1	ON	▲							
	OFF		▼	▼	▼	▼	▼	▼	▼

Fixture 2 - Channel 2	ON		▲						
	OFF	▼		▼	▼	▼	▼	▼	▼

Fixture 3 - Channel 3	ON	▲	▲						
	OFF			▼	▼	▼	▼	▼	▼

Fixture 4 - Channel 4	ON			▲					
	OFF	▼	▼		▼	▼	▼	▼	▼

Fixture 5 - Channel 5	ON	▲		▲					
	OFF		▼		▼	▼	▼	▼	▼

Controlling

After having addressed all devices, you may now start operating these via your controller.

1 channel mode

Channel	Value	Function
1	000-255	Master dimmer (0-100%)

DMX dipswitch quick reference chart

DMX DIPSWITCH SET 0 = OFF 1 = ON					#9	0	0	0	0	0	0	0	0	1	1	1	1	1	1	1		
					#8	0	0	0	0	1	1	1	1	0	0	0	0	1	1	1	1	1
					#7	0	0	1	1	0	0	1	1	0	0	1	1	0	0	1	1	1
					#6	0	1	0	1	0	1	0	1	0	1	0	1	0	1	0	1	0
#1	#2	#3	#4	#5																		
0	0	0	0	0		32	64	96	128	160	192	224	256	288	320	352	384	416	448	480		
1	0	0	0	0		1	33	65	97	129	161	193	225	257	289	321	353	385	417	449	481	
0	1	0	0	0		2	34	66	98	130	162	194	226	258	290	322	354	386	418	450	482	
1	1	0	0	0		3	35	67	99	131	163	195	227	259	291	323	355	387	419	451	483	
0	0	1	0	0		4	36	68	100	132	164	196	228	260	292	324	356	388	420	452	484	
1	0	1	0	0		5	37	69	101	133	165	197	229	261	293	325	357	389	421	453	485	
0	1	1	0	0		6	38	70	102	134	166	198	230	262	294	326	358	390	422	454	486	
1	1	1	0	0		7	39	71	103	135	167	199	231	263	295	327	359	391	423	455	487	
0	0	0	1	0		8	40	72	104	136	168	200	232	264	296	328	360	392	424	456	488	
1	0	0	1	0		9	41	73	105	137	169	201	233	265	297	329	361	393	425	457	489	
0	1	0	1	0		10	42	74	106	138	170	202	234	266	298	330	362	394	426	458	490	
1	1	0	1	0		11	43	75	107	139	171	203	235	267	299	331	363	395	427	459	491	
0	0	1	1	0		12	44	76	108	140	172	204	236	268	300	332	364	396	428	460	492	
1	0	1	1	0		13	45	77	109	141	173	205	237	269	301	333	365	397	429	461	493	
0	1	1	1	0		14	46	78	110	142	174	206	238	270	302	334	366	398	430	462	494	
1	1	1	1	0		15	47	79	111	143	175	207	239	271	303	335	367	399	431	463	495	
0	0	0	0	1		16	48	80	112	144	176	208	240	272	304	336	368	400	432	464	496	
1	0	0	0	1		17	49	81	113	145	177	209	241	273	305	337	369	401	433	465	497	
0	1	0	0	1		18	50	82	114	146	178	210	242	274	306	338	370	402	434	466	498	
1	1	0	0	1		19	51	83	115	147	179	211	243	275	307	339	371	403	435	467	499	
0	0	1	0	1		20	52	84	116	148	180	212	244	276	308	340	372	404	436	468	500	
1	0	1	0	1		21	53	85	117	149	181	213	245	277	309	341	373	405	437	469	501	
0	1	1	0	1		22	54	86	118	150	182	214	246	278	310	342	374	406	438	470	502	
1	1	1	0	1		23	55	87	119	151	183	215	247	279	311	343	375	407	439	471	503	
0	0	0	1	1		24	56	88	120	152	184	216	248	280	312	344	376	408	440	472	504	
1	0	0	1	1		25	57	89	121	153	185	217	249	281	313	345	377	409	441	473	505	
0	1	0	1	1		26	58	90	122	154	186	218	250	282	314	346	378	410	442	474	506	
1	1	0	1	1		27	59	91	123	155	187	219	251	283	315	347	379	411	443	475	507	
0	0	1	1	1		28	60	92	124	156	188	220	252	284	316	348	380	412	444	476	508	
1	0	1	1	1		29	61	93	125	157	189	221	253	285	317	349	381	413	445	477	509	
0	1	1	1	1		30	62	94	126	158	190	222	254	286	318	350	382	414	446	478	510	
1	1	1	1	1		31	63	95	127	159	191	223	255	287	319	351	383	415	447	479	511	

Setting the DMX address:

The DMX mode enables the use of a universal DMX controller. Each fixture requires a “start address” from 1- 511. A fixture requiring one or more channels for control begins to read the data on the channel indicated by the start address. For example, a fixture that occupies or uses 7 channels of DMX and was addressed to start on DMX channel 100, would read data from channels: 100,101,102,103,104,105 and 106. Choose a start address so that the channels used do not overlap. E.g. the next unit in the chain starts at 107.

DMX 512:

DMX (Digital Multiplex) is a universal protocol used as a form of communication between intelligent fixtures and controllers. A DMX controller sends DMX data instructions from the controller to the fixture. DMX data is sent as serial data that travels from fixture to fixture via the DATA “IN” and DATA “OUT” XLR terminals located on all DMX fixtures (most controllers only have a data “out” terminal).

DMX linking:

DMX is a language allowing all makes and models of different manufactures to be linked together and operate from a single controller, as long as all fixtures and the controller are DMX compliant. To ensure proper DMX data transmission, when using several DMX fixtures try to use the shortest cable path possible. The order in which fixtures are connected in a DMX line does not influence the DMX addressing. For example; a fixture assigned to a DMX address of 1 may be placed anywhere in a DMX line, at the beginning, at the end, or anywhere in the middle. When a fixture is assigned a DMX address of 1, the DMX controller knows to send DATA assigned to address 1 to that unit, no matter where it is located in the DMX chain.

DATA cable (DMX cable) requirements (for DMX operation):

This fixture can be controlled via DMX-512 protocol. The DMX address is set on the back of the unit. Your unit and your DMX controller require a standard 3-pin XLR connector for data input/output, see image below.



Further DMX cables can be purchased from all good sound and lighting suppliers or Pro Light Concepts dealers.

Please quote:

CABL10 – 2m

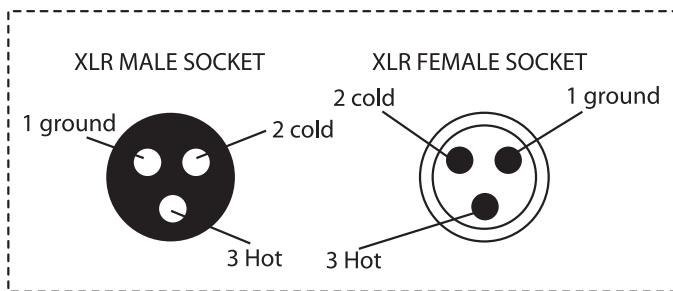
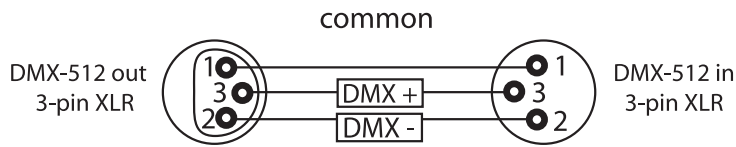
CABL11 – 5m

CABL12 – 10m

Note: DMX cable must be daisy chained and cannot be split.

Notice:

Be sure to follow the diagrams below when making your own cables. Do not connect the cables shield conductor to the ground lug or allow the shield conductor to come in contact with the XLRs outer casing. Grounding the shield could cause a short circuit and erratic behaviour.



XLR Pin Configuration
Pin 1 = Ground
Pin 2 = Negative
Pin 3 = Postive

Special note:

Line termination:

When longer runs of cable are used, you may need to use a terminator on the last unit to avoid erratic behaviour.

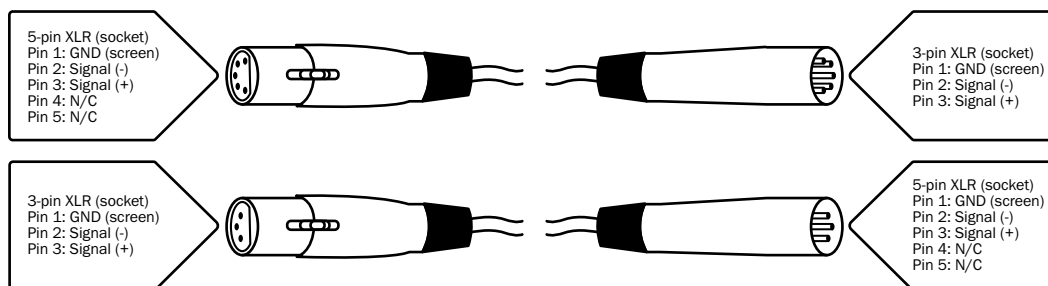
Using a cable terminator will decrease the possibilities of erratic behaviour.

(3-pin - Order ref: CABL90, 5-pin - Order ref: CABL89)

Termination reduces signal transmission problems and interference. It is always advisable to connect a DMX terminal, (resistance 120 Ohm 1/4 W) between pin 2 (DMX-) and pin 3 (DMX+) of the last fixture.

5-pin XLR DMX connectors:

Some manufactures use 5-pin XLR connectors for data transmission in place of 3-pin. 5-pin XLR fixtures may be implemented in a 3-pin XLR DMX line. When inserting standard 5-pin XLR connectors in to a 3-pin line a cable adaptor must be used. The diagram below details the correct cable conversion.





***Correct Disposal of this Product
(Waste Electrical & Electronic Equipment)***

**(Applicable in the European Union and other European countries
with separate collection systems)**

This marking shown on the product or its literature, indicates that it should not be disposed with other household wastes at the end of its working life. To prevent possible harm to the environment or human health from uncontrolled waste disposal, please separate this from other types of wastes and recycle it responsibly to promote the sustainable reuse of material resources.

Household users should contact either the retailer where they purchased this product, or their local government office, for details of where and how they can take this item for environmentally safe recycling.

Business users should contact their supplier and check the terms and conditions of the purchase contract. This product should not be mixed with other commercial wastes for disposal.



Please contact your local retailer to purchase these accessories.



Par 36 650W 120V DWE Lamp
Order code: LAMP91



50mm Professional G Clamp
Order code: CLAM01A



Self Locking Truss Clamp Black
Order code: GL3017



75cm Safety Wire
Order code: CLAM03

To keep up-to-date on the latest accessories and product range additions please visit www.prolight.co.uk