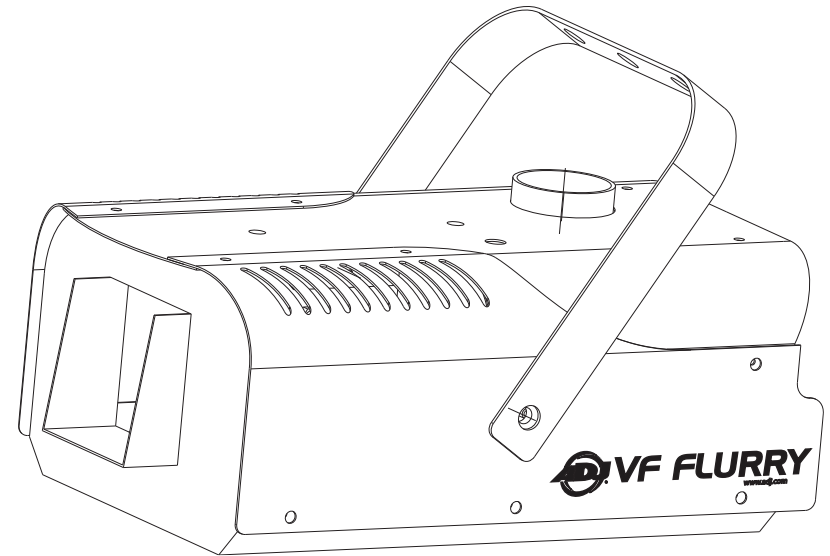


# ADJ<sup>®</sup>

## VF FLURRY



ADJ Products, LLC  
6122 S. Eastern Ave. Los Angeles, CA 90040 USA  
Tel: 323-582-2650 / Fax: 323-725-6100  
Web: [www.adj.com](http://www.adj.com) / E-mail: [info@adj.com](mailto:info@adj.com)

A.D.J. Supply Europe B.V.  
Junostraat 2  
6468 EW Kerkrade  
The Netherlands

[support@adj.eu](mailto:support@adj.eu) / [www.adj.eu](http://www.adj.eu)

Tel: +31 45 546 85 00 / Fax: +31 45 546 85 99

Follow Us On:



[facebook.com/americanadj](https://facebook.com/americanadj)  
[twitter.com/americanadj](https://twitter.com/americanadj)  
[youtube.com/adjlighting](https://youtube.com/adjlighting)

## User Instructions

Rev. 6/16

©2016 ADJ Products, LLC all rights reserved. Information, specifications, diagrams, images, and instructions herein are subject to change without notice. ADJ Products, LLC logo and identifying product names and numbers herein are trademarks of ADJ Products, LLC. Copyright protection claimed includes all forms and matters of copyrightable materials and information now allowed by statutory or judicial law or hereinafter granted. Product names used in this document may be trademarks or registered trademarks of their respective companies and are hereby acknowledged. All non-ADJ Products, LLC brands and product names are trademarks or registered trademarks of their respective companies.

**ADJ Products, LLC** and all affiliated companies hereby disclaim any and all liabilities for property, equipment, building, and electrical damages, injuries to any persons, and direct or indirect economic loss associated with the use or reliance of any information contained within this document, and/or as a result of the improper, unsafe, insufficient and negligent assembly, installation, rigging, and operation of this product.

VF Flurry	Specifications
<b>MODEL -</b>	VF Flurry
<b>VOLTAGE*:</b>	120v~50/60Hz or 230v~50Hz
<b>BLOWER:</b>	600W
<b>WEIGHT:</b>	8 Lbs. / 3.6 Kgs
<b>DIMENSIONS:</b>	15.5" (L) x 9.5 (W) x 10" (H) 390 x 240 x 250mm
<b>FUSE:</b>	15A (120V) or 10A (220V)
<b>TANK CAPACITY:</b>	1 Liter
<b>FLUID CONSUMPTION:</b>	170ml/min (Max. Output) 10ml/min (Min. Output)
<b>SPRAY DISTANCE:</b>	2-5 Meters
<b>FLUID TYPE:</b>	American DJ Snow Juice
<b>WARM UP TIME:</b>	No Warm Up Time
<b>DUTY CYCLE:</b>	Not to exceed 6 hours turned on.
<small>*Voltage is preset at the factory and may not be changed</small>	

Europe Energy Saving Notice  
 Energy Saving Matters (EuP 2009/125/EC)  
 Saving electric energy is a key to help protecting the environment.  
 Please turn off all electrical products when they are not in use. To  
 avoid power consumption in idle mode, disconnect all electrical  
 equipment from power when not in use. Thank you!

## MANUFACTURER'S LIMITED WARRANTY

- A. ADJ Products, LLC hereby warrants, to the original purchaser, ADJ Products, LLC products to be free of manufacturing defects in material and workmanship for a prescribed period from the date of purchase (see specific warranty period on reverse). This warranty shall be valid only if the product is purchased within the United States of America, including possessions and territories. It is the owner's responsibility to establish the date and place of purchase by acceptable evidence, at the time service is sought.
- B. For warranty service you must obtain a Return Authorization number (RA#) before sending back the product—please contact ADJ Products, LLC Service Department at 800-322-6337. Send the product only to the ADJ Products, LLC factory. All shipping charges must be pre-paid. If the requested repairs or service (including parts replacement) are within the terms of this warranty, ADJ Products, LLC will pay return shipping charges only to a designated point within the United States. If the entire instrument is sent, it must be shipped in its original package. No accessories should be shipped with the product. If any accessories are shipped with the product, ADJ Products, LLC shall have no liability whatsoever for loss of or damage to any such accessories, nor for the safe return thereof.
- C. This warranty is void if the serial number has been altered or removed; if the product is modified in any manner which ADJ Products, LLC concludes, after inspection, affects the reliability of the product; if the product has been repaired or serviced by anyone other than the ADJ Products, LLC factory unless prior written authorization was issued to purchaser by ADJ Products, LLC; if the product is damaged because not properly maintained as set forth in the instruction manual.
- D. This is not a service contract, and this warranty does not include maintenance, cleaning or periodic check up. During the period specified above, ADJ Products, LLC will replace defective parts at its expense with new or refurbished parts, and will absorb all expenses for warranty service and repair labor by reason of defects in material or workmanship. The sole responsibility of ADJ Products, LLC under this warranty shall be limited to the repair of the product, or replacement thereof, including parts, at the sole discretion of ADJ Products, LLC. All products covered by this warranty were manufactured after August 15, 2012, and bear indentifying marks to that effect.
- E. ADJ Products, LLC reserves the right to make changes in design and/or improvements upon its products without any obligation to include these changes in any products theretofore manufactured.

No warranty, whether expressed or implied, is given or made with respect to any accessory supplied with products described above. Except to the extent prohibited by applicable law, all implied warranties made by ADJ Products, LLC in connection with this product, including warranties of merchantability or fitness, are limited in duration to the warranty period set forth above. And no warranties, whether expressed or implied, including warranties of merchantability or fitness, shall apply to this product after said period has expired. The consumer's and/or Dealer's sole remedy shall be such repair or replacement as is expressly provided above; and under no circumstances shall ADJ Products, LLC be liable for any loss or damage, direct or consequential, arising out of the use of, or inability to use, this product.

This warranty is the only written warranty applicable to ADJ Products, LLC Products and supersedes all prior warranties and written descriptions of warranty terms and conditions heretofore published.

## MANUFACTURER'S LIMITED WARRANTY PERIODS:

- **Lighting Products = 1-year (365 days) Limited Warranty** (Such as: Special Effect Lighting, Intelligent Lighting, UV lighting, Strobes, Fog Machines, Bubble Machines, Mirror Balls, Par Cans, Trussing, Lighting Stands etc. excluding LED and lamps)
- **Laser Products = 1 Year (365 Days) Limited Warranty** (excluding laser diodes which have a 6 month limited warranty)
- **L.E.D. Products = 2-year (730 days) Limited Warranty** (excluding motors, PCB boards, and power supplies, which have a 1-year (365 day Limited Warranty) batteries which have a 180 day limited warranty). Only the L.E.D.s carry a 2-year warranty (excluding StarTec Series which carries a 1 Year Limited Warranty) **Note: 2 Year Warranty only applies to purchases within the United States.**
- **ADJ DMX Controllers = 2 Year (730 Days) Limited Warranty** (excluding faders and tact switches)

**Introduction:** Congratulations, you have just purchased the VF Flurry snow machine. The VF Flurry snow machine has been designed to perform reliably for years when the guidelines in this booklet are followed. Please read and understand the instructions in this manual carefully and thoroughly before attempting to operate this unit. These instructions contain important information regarding safety during use and maintenance.

**Customer Support:** ADJ Products, LLC provides a toll free customer support line, to provide set up help and to answer any question should you encounter problems during your set up or initial operation. You may also visit us on the web at [www.adj.com](http://www.adj.com) for any comments or suggestions. For service related issue please contact ADJ Products, LLC. Service Hours are Monday through Friday 8:00 a.m. to 4:30 p.m. Pacific Standard Time.

Voice: (800) 322-6337

Fax: (323) 582-2941

E-mail: [support@americandj.com](mailto:support@americandj.com)

To purchase parts online visit <http://parts.americandj.com>

**Warning!** To prevent or reduce the risk of electrical shock or fire, do not expose this unit to rain or moisture.

**Caution!** There are no user serviceable parts inside this unit. Do not attempt any repairs yourself, doing so will void your manufactures warranty. In the unlikely event your unit may require service please contact ADJ Products, LLC.

Do not discard the shipping cartoon in the trash. Please recycle when ever possible.

**Please Note:** Specifications and improvements in the design of this unit and this manual are subject to change without any prior written notice.

## VF Flurry

## Safety Precautions

- Be sure to save the packing carton in the unlikely event the unit may have to be returned for service
- Do not spill water or other liquids into or on to your snow machine. Be sure that all the snow fluid is kept inside the fluid reservoir
- Be sure that the local power outlet match that or the required voltage for your snow machine
- Do not remove the top cover under any conditions. There are no user serviceable parts inside
- Disconnect the unit's main power when left unused for long periods of time
- Never connect this unit to a dimmer pack
- Do not attempt to operate this unit, if it becomes damaged in anyway
- Never operate this unit when it's cover is removed
- To reduce the risk of electrical shock or fire, do not expose this unit rain or moisture
- Do not attempt to operate this unit if the power cord has been frayed or broken. Do not attempt to remove or break off the ground prong from the electrical cord. This prong is used to reduce the risk of electrical shock and fire in case of an internal short
- Disconnect from main power before making any type of connection
- Never block the ventilation holes. Always be sure to mount this unit in an area that will allow proper ventilation. Allow about 6" (15cm) between this device and a wall
- This unit is intended for indoor use only, use of this product outdoors voids all warranties
- Always mount this unit in a safe and stable matter
- Please route your power cord out of the way of foot traffic. Power cords should be routed so they are not likely to be walked on, pinched by items placed upon or against them
- The unit should only be serviced by qualified service personnel when:
  - A. The power-supply cord or the plug has been damaged.
  - B. Objects have fallen, or liquid has been spilled into the unit.
  - C. The unit has been exposed to rain or water.
  - D. The appliance does not appear to operate normally or exhibits a marked change in performance.

## VF Flurry

## Warranty Registration

The VF Flurry snow machine carries a one year (365 days) limited warranty. Please fill out the enclosed warranty card to validate your purchase. All returned service items whether under warranty or not, must be freight pre-paid and accompany a return authorization (R.A.) number. The R.A. number must be clearly written on the outside of the return package. A brief description of the problem as well as the R.A. number must also be written down on a piece of paper and included in the shipping container. If the unit is under warranty, you must provide a copy of your proof of purchase invoice. You may obtain a R.A. number by contacting customer support at (800) 322-6337.

## VF Flurry

## Trouble Shooting

If you experience low snow output, pump noise, or no snow output at all, disconnect and discontinue use immediately. Do not attempt to continue pushing the remote control's activation button as this may damage the snow machine. Check fluid level, the external fuse, remote connection, and be sure the wall outlet is sending power. If all of the above appear to be okay, and the unit fails to operate correctly, the unit will require service. Please contact ADJ Products, LLC.

## VF Flurry

## Proper Storage and Maintenance

When storing your snow machine be sure to store it in a cool area. Cover the machine so that dust does not build up on the unit. When storing the machine for long periods of time, it is highly advised to at least run the machine every 3-4 months. Long periods of inactivity can severely shorten the life of your machine. Only run water based snow juice through your machine. Never run plain water, vinegar, or any other liquid solution through your machine. Running anything other than water based snow juice will severely damage your machine.

**Always be sure to maintain an adequate supply of American DJ® Brand Snow Juice in the fluid reservoir. The pump will shut off automatically when the snow juice reaches a certain level. Running the snow machine dry will cause pump failure and or clogging. This is the largest cause of failure in snow machines. Only American DJ® Snow Juice is recommended because not all snow juice is created equal.**

**Manual Remote Operation:** Connect the included remote control to the snow machine and plug the machine into a matching power outlet. The red LED (liquid) will glow when there is enough snow fluid in the tank. When there is not enough fluid, the red LED will flash. The green LED will glow when the snow machine is in use. To emit snow, adjust the OUTPUT VOLUME knob to your desired and then press the ON/OFF button on the remote for desired length of time. If the green LED is on and snow does not come out after holding the button down for 30 seconds, check the fluid tank and hose to make sure there is fluid going through the hose.

**Caution: Before removing or replacing the remote control unit disconnect the power cord.**

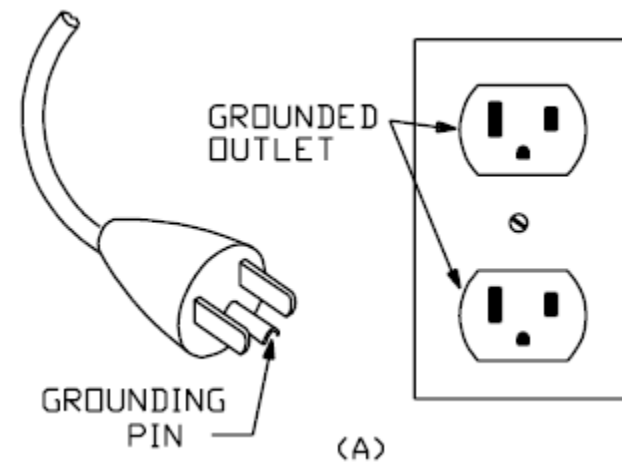
### GROUNDING INSTRUCTIONS

This product must be grounded. In the event of an electrical short circuit, grounding reduces the risk of electric shock by providing an escape wire for the electric current. This product is equipped with a cord having a grounding wire with an appropriate grounding plug. The plug must be plugged into an outlet that is properly installed and grounded in accordance with all local codes and ordinances.

**WARNING** – Improper installation of the grounding plug is able to result in a risk of electric shock. When repair or replacement of the cord or plug is required, do not connect the grounding wire to either flat blade terminal. The wire with insulation having an outer surface that is green with or without yellow stripes is the grounding wire.

Check with a qualified electrician or serviceman when the grounding instructions are not completely understood, or when in doubt as to whether the product is properly grounded. Do not modify the plug provided; if it does not fit the outlet, have the proper outlet installed by a qualified electrician.

This product is for use on a nominal 120-V circuit and has a grounding plug similar to the plug illustrated in sketch A. Only connect the product to an outlet having the same configuration as the plug. Do not use an adapter with this product.



## Extension Cords:

Use only a 3-wire extension cord that has a 3-blade grounding plug, and a 3-slot receptacle that accepts the plug on the product. Make sure your extension cord is not damaged. When using an extension cord, be sure to use one heavy enough to carry the current your product draws. For lengths less than \_\_\_ ft, \_\_\_ AWG extension cords shall be used. An undersized cord results in a drop in line voltage and loss of power and overheating. (Below table shows the correct size to use depending on cord length and nameplate ampere rating. When in doubt, use the next heavier gauge. The smaller the gauge number, the heavier the cord.)

Ampere Rating Range	Voltage	Length of Cord in ft.			
	120V	25ft	50ft	100ft	150ft
	240V	50ft	100ft	200ft	300ft
5-6	18	16	14	12	
6-8	18	16	12	10	
8-10	18	14	12	10	
10-12	16	14	10	8	
12-14	16	12	10	8	
14-16	16	12	10	8	

Ampere Rating Range	Voltage	Length of Cord in ft.				
	120V	200ft	250ft	300ft	400ft	500ft
	240V	400ft	500ft	600ft	800ft	1000ft
5-6	10	10	8	8	6	
6-8	10	8	6	6	6	
8-10	8	8	6	6	4	
10-12	8	6	6	4	4	
12-14	6	6	6	4	2	
14-16	6	6	4	4	2	

The new VF Flurry snow machine features a snow juice level sensor. When the snow juice level reaches a low level, a built-in sensor inside the reservoir will automatically shut off the pump. This will greatly expand the life of the pump.

This unit includes a switch located on the rear panel that allows you to control the speed of the air pump located inside the unit. This switch controls the size of the flakes that are produced by the machine. In the max position the air flow will be low, producing larger flakes. In the minimum position the air flow will be higher producing smaller flakes. The snow output volume is controlled using the included remote control.

1. Open the shipping carton and carefully remove the unit from the shipping carton.
2. Be sure to remove all the packing material especially around the nozzle/sock.
3. Set the snow machine on a flat dry surface. Locate the included bracket from the package and install it using the supplied hardware to the side casing. Note: The bracket is an optional accessory and may not be used if desired, however if you intend to suspend the unit from truss the bracket must be used.
4. Remove the fluid reservoir and fill it with American DJ® brand snow juice only and replace the reservoir.
5. Place the feeder tube with the filter deep inside the reservoir and tighten the cap.
6. Using the switch on the rear of the unit, set the air volume output to either the minimum setting (small snow flakes) or the maximum setting (large snow flakes).
7. Firmly attach the remote control unit to the rear remote control socket on the unit. Turn the rotary knob, clockwise to set a small to large snow output.
8. Plug the unit in to a matching power supply. Switch on the main power located on the rear of the unit.

**NOTE: The liquid reservoir will glow red when power is applied.**