

ELIMINATOR[®]

LIGHTING



BUBBLETRON EX GO

User Manual

©2023 **Eliminator Lighting** all rights reserved. Information, specifications, diagrams, images, and instructions herein are subject to change without notice. Eliminator logo and identifying product names and numbers herein are trademarks of Eliminator Lighting. Copyright protection claimed includes all forms and matters of copyrightable materials and information now allowed by statutory or judicial law or hereinafter granted. Product names used in this document may be trademarks or registered trademarks of their respective companies and are hereby acknowledged. All non-Eliminator brands and product names are trademarks or registered trademarks of their respective companies.

Eliminator Lighting and all affiliated companies hereby disclaim any and all liabilities for property, equipment, building, and electrical damages, injuries to any persons, and direct or indirect economic loss associated with the use or reliance of any information contained within this document, and/or as a result of the improper, unsafe, insufficient and negligent assembly, installation, rigging, and operation of this product.

Eliminator Lighting

6122 S. Eastern Ave. Los Angeles, CA. 90040
323-582-2650 | Fax 323-532-2941 | www.adj.com | info@adj.com

ADJ SUPPLY Europe B.V

Junostraat 2 6468 EW Kerkrade, The Netherlands
+31 (0)45 546 85 00 | Fax +31 45 546 85 99
www.adj.eu | info@adj.eu

ADJ PRODUCTS GROUP Mexico

AV Santa Ana 30 Parque Industrial Lerma, Lerma, Mexico 52000
+52 (728) 282-7070

DOCUMENT VERSION



Due to additional product features and/or enhancements, an updated version of this document may be available online. Please check www.adj.com for the latest revision/update of this manual before beginning installation and/or programming.

Date	Document Version	Software Version >	DMX Channel Mode	Notes
11/15/23	1.0	N/A	N/A	Initial release

CONTENTS

Introduction	4
Limited Warranty (USA Only)	5
Warranty Registration Features	6
Safety Guidelines Battery Precautions	7
Overview	8
Operating Instructions Battery Recharging	9
Specifications	10
Dimensional Drawings Cleaning	11

INTRODUCTION

UNPACKING

The Bubbletron EX GO by Eliminator Lighting, LLC, is a battery powered bubble machine and is the perfect solution for anyone that wants to create a fun or artistic effect on stage or at a performance. Bubbletron GO creates 100's of bubbles per minute from a high velocity, high out put fan and takes most types of bubble liquids. This portable and lightweight bubble machine has a lightweight yet durable housing and includes a wireless On/Off remote. Bubbletron EX Go is great for bands, mobile entertainers, clubs, bars and small to medium size stages.

INTRODUCTION

The Eliminator BUBBLETRON EX is the perfect solution for anyone that wants to create a fun or artistic effect on stage or at a performance. Its' very eas to use - as easy as pour in the bubbles and turn it on! The BUBBLETRON EX creates 100's of bubbles per minute from a high velocity, high output fan. it takes most types of bubble liquids. BUBBLETRON EX is great for bands, DJs, Clubs, Bars, and small to medium stages.

CUSTOMER SUPPORT

Tel: (323) 213-4592 | Fax: (323) 582-2941

www.adj.com | support@eliminatorlighting.com

Warning! To prevent or reduce the risk of electrical shock or fire, do not expose this unit to rain or moisture.

Caution! There are no user serviceable parts inside this unit. Do not attempt any repairs yourself, as doing so will void your manufacturer's warranty. In the event that your unit requires service, please contact Eliminator Lighting for assistance.

PLEASE recycle the shipping carton when ever possible.

LIMITED WARRANTY (USA ONLY)

- A. Eliminator Lighting, an ADJ Products, LLC brand, hereby warrants, to the original purchaser, Eliminator Lighting products to be free of manufacturing defects in material and workmanship for a prescribed period from the date of purchase (see specific warranty period on reverse). This warranty shall be valid only if the product is purchased within the United States of America, including possessions and territories. It is the owner's responsibility to establish the date and place of purchase by acceptable evidence, at the time service is sought.
- B. For warranty service, you must obtain a Return Authorization number (RA#) before sending back the product—please contact ADJ Products, LLC Service Department at 800-322-6337. Send the product only to the Eliminator Lighting factory. All shipping charges must be pre-paid. If the requested repairs or service (including parts replacement) are within the terms of this warranty, Eliminator Lighting will pay return shipping charges only to a designated point within the United States. If the entire instrument is sent, it must be shipped in its original package. No accessories should be shipped with the product. If any accessories are shipped with the product, Eliminator Lighting shall have no liability whatsoever for loss of or damage to any such accessories, or for the safe return thereof.
- C. This warranty is void if the serial number has been altered or removed; if the product is modified in any manner which Eliminator Lighting concludes, after inspection, affects the reliability of the product, if the product has been repaired or service by anyone other than ADJ Products, LLC factory unless prior written authorization was issued to purchaser by Eliminator Lighting; if the product is damaged because not properly maintained as set forth in the instruction manual.
- D. This is not a service contract, and this warranty does not include maintenance, cleaning or periodic check up. During the period specified above, Eliminator Lighting will replace defective parts at its expense with new or refurbished parts, and will absorb all expenses for warrant service and repair labor by reason of defects in material or workmanship. The sole responsibility of Eliminator Lighting under this warranty shall be limited to the repair of the product, or replacement thereof, including parts, at the sole discretion of Eliminator Lighting. All products covered by this warranty were manufactured after August 15, 2012, and bear identifying marks to that effect.
- E. Eliminator Lighting reserves the right to make changes in design and/or improvements upon its products without any obligation to include these changes in any products theretofore manufactured.
- F. No warranty, whether expressed or implied, is given or made with respect to any accessory supplied with products described above. Except to the extent prohibited by applicable law, all implied warranties made by Eliminator Lighting in connection with this product, including warranties of merchantability or fitness, are limited in duration to the warranty period set forth above. And no warranties, whether expressed or implied, including warranties of merchantability or fitness, shall apply to this product after said period has expired. The consumer's and/or Dealer's sole remedy shall be such repair or replacement as is expressly provided above; and under no circumstances shall Eliminator Lighting be liable for any loss or damage, direct or consequential, arising out of the use of, or inability to use, this product.
- G. This warranty is the only written warranty applicable to Eliminator Lighting products and supersedes all prior warranties and written descriptions of warranty terms and conditions heretofore published.

LIMITED WARRANTY PERIODS

- **All Eliminator Lighting products (except laser diodes) = 1-year (365 days) Limited Warranty** (Such as: Special Effect Lighting, Intelligent Lighting, UV lighting, Strobes, Fog Machines, Bubble Machines, Mirror Balls, Par Cans, Trussing, Lighting Stands etc. excluding LED and lamps)
- **Laser Products = 1 Year (365 Days) Limited Warranty** (excludes laser diodes which have 6 month limited warranty)
- **Batteries = 180 Day Limited Warranty** (excluding batteries which have a 180 day limited warranty)

WARRANTY REGISTRATION

This device carries a 1 year limited warranty. Please fill out the enclosed warranty card to validate your purchase. All returned service items, whether under warranty or not, must be freight pre-paid and accompanied by a return authorization (R.A.) number. The R.A. number must be clearly written on the outside of the return package. A brief description of the problem as well as the R.A. number must also be written down on a piece of paper included in the shipping carton. If the unit is under warranty, you must provide a copy of your proof of purchase invoice. You may obtain an R.A. number by contacting our customer support team on our customer support number. All packages returned to the service department not displaying an R.A. number on the outside of the package will be returned to the shipper.

FEATURES

- Portable high output bubble machine
- Creates hundreds of bubbles per minute
- Durable plastic casing with carrying handle and EZ-Access front fluid tank
- Large, high velocity, high output fan
- ON/OFF switch on rear of unit
- 1 liter fluid tank
- Compatible with ADJ Bubble Juice (recommended) and most types of bubble liquid.
- Includes BUBGO-WR Wireless Remote Control

SAFETY GUIDELINES

For Your Own Personal Safety, Please Read and Understand This Manual

- To reduce the risk of electrical shock or fire, do not expose this unit rain or moisture.
- Do not spill water or other liquids into or on to your unit.
- Be sure that the local power outlet matches that of the required voltage for your unit.
- Do not attempt to operate this unit if the power cord has been frayed or broken.
- Do not attempt to remove or break off the ground prong from the electrical cord.
- This prong is used to reduce the risk of electrical shock and fire in case of an internal short.
- Disconnect from main power before making any type of connection.
- Do not remove the cover under any conditions. There are no user serviceable parts inside.
- Never operate this unit when its cover is removed.
- Always be sure to use this unit in an area that will allow proper ventilation. Allow about 6" (15cm) between this device and a wall.
- Do not attempt to operate this unit if it becomes damaged.
- This unit is intended for indoor use only; use of this product outdoors voids all warranties.
- Always mount this unit in safe and stable matter.
- Power-supply cords should be routed so that they are not likely to be walked on or pinched by items placed upon or against them, paying particular attention to cords at plugs, convenience receptacles and the point where they exit from the appliance.
- The fixture should be cleaned only as recommended by the manufacturer. See page 7 for operating and cleaning details.
- This fixture should be situated away from heat sources such as radiators, heat registers, stoves, or other appliances (including amplifiers) that produce heat.
- The fixture should be serviced by qualified service personnel when:
 - A. Objects have fallen, or liquid has been spilled into the appliance.
 - B. The appliance has been exposed to rain or water.
 - C. The appliance does not appear to operate normally or exhibits a marked change in performance.

BATTERY PRECAUTIONS

- Never charge batteries unattended. When charging batteries, you should always remain in constant observation to react to any potential problems that may occur.
- If at any time you witness a battery starting to smoke, get hot or smell abnormally, discontinue the charging process immediately. Disconnect the power supply and observe the unit in a safe place for approximately 15 minutes. The battery could end up leaking and the reaction with air may cause the chemicals to ignite, resulting in a fire.
- Never store or charge battery pack inside of your car in extreme temperatures, since this could ignite a fire.
- Never transport or store the battery back in a high temperature environment for a long time.

OVERVIEW



- Power Supply Input
- Battery Indicator
- On/Off Switch
- Remote Input



- Fill Tank Reservoir
- Carry Handle
- Fill Line

OPERATING INSTRUCTIONS

Filling the Tray Reservoir:

1. Place the Bubbletron GO on a flat level surface.
2. The bubble juice tray is located in the front of the machine. Fill the tray, using premium ADJ® brand bubble juice. Make sure that you do not fill the tray above the designated fill line. Filling above the line will result in damage to the machine. After usage, please empty the remaining juice to prevent damage as well.

Operation:

Once the tray has been filled, place the unit on flat level surface. Flip the power switch to the “ON” position and watch the bubbles come out by the hundreds. Be sure the unit remains in a level position to avoid accidental leaking.

Maintenance:

The frequency of cleaning depends on the environment in which the device operates in: damp, smoky or particularly dirty environments can cause greater accumulation of dirt and or debris in the tank. Clean the external housing of the fixture and the tank at least periodically with a soft cloth to avoid dirt/debris accumulation. NEVER use alcohol, solvents, or ammonia-based cleaners.

Remote Operation (Optional):

The unit may be used with the (included) BUBGO-WR Wireless Remote Control.

Remote Operation:

1. With the power switch in the “OFF” position, plug the remote control into the unit.
2. Push the power button on the remote to the “ON” position, main power will be indicated by a glowing red LED above the remote power button.



BATTERY RECHARGE

It will take about 6 hours to reach full charge. To recharge the battery, plug the supplied power supply into the input on the rear of the unit and plug the other end into a matching power supply. A red LED on the power supply will glow indicating that the unit is charging. When the unit reaches full charge, a green LED will glow.

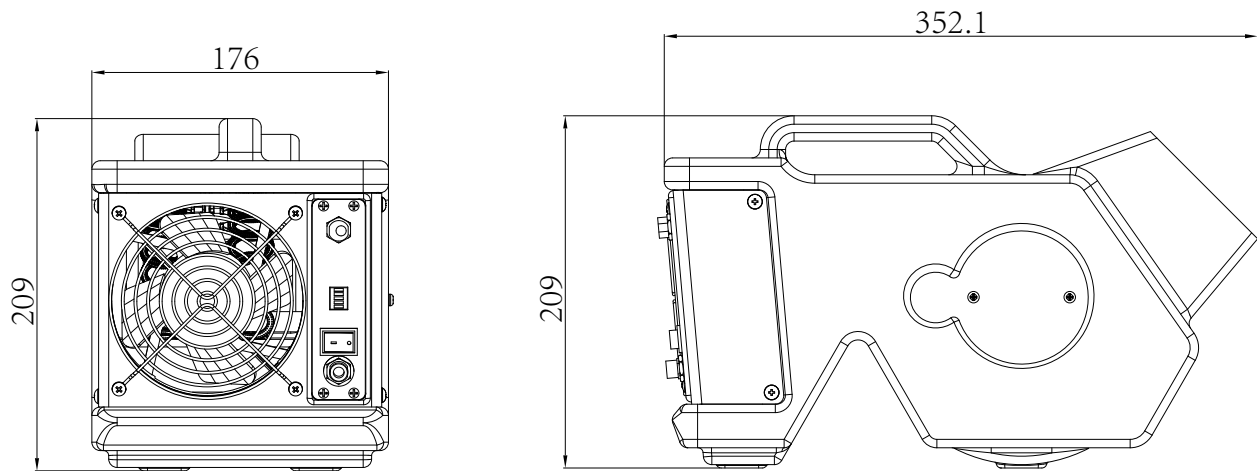
SPECIFICATIONS

- Portable high output bubble machine
- Creates hundreds of bubbles per minute
- Durable plastic casing with EZ-Access front fluid tank
- 1 Liter Fluid Tank
- Large high velocity fan makes bubbles rise quickly in the air
- ON/OFF switch on rear of unit
- ON/OFF Wireless remote controller BUBGO-WR included
- Carrying handlest types of bubble liquid acceptable
- Power Consumption: 13W
- Fluid Consumption Rate: 1 Liter every 50 Mins
- Battery life indicator with charge indicator
- Battery Charge Time: 6 Hours (Per Cycle)
- Battery Life: 5 Hours (Full On)
- (Charger): DC12V 1000mA
- Dimensions (LxWxH): 13.75" x 7" x 8.25" / 352 x 176 x 209mm
- Weight: 4 lbs. / 2kg.

Battery Specifications:

- Battery Charge Time: 6 Hours
- Battery Life: 5 Hours Full On(Full Charge)
- Battery Lifetime: Average Lifetime is 500 Charges (This depends on charging frequency)
- Battery Type: Fixed Lithium Battery
- Battery Energy: 4WH (Watt Hours)
- Battery Weight: 260g
- Battery Voltage: 3.7V
- Battery Capacity: 4Ah
- Total Lithium Ion Cells: 3pcs

DIMENSIONAL DRAWINGS



CLEANING

The frequency of cleaning depends on the environment in which the device operates in: damp, smoky or particularly dirty environments can cause greater accumulation of dirt and or debris in the tank. Clean the external housing of the fixture and the tank at least periodically with a soft cloth to avoid dirt/debris accumulation. NEVER use alcohol, solvents, or ammonia-based cleaners.

