

MODE

1. *HTP* mode: the higher DMX value from input A or B will take the order.
2. *B-UP* mode: When one input without DMX signal inputs together, it will take the DMX signal from another input.
3. *MERG* mode: Combine the DMX signal inputs together. For example, when the DMX-A has 24 channels input and the DMX-B has 48 channels input, it will merge the 2 inputs together, and send out 72 channels.

Attention: in *MERG* mode, you must set the start address for DMX-B.

ADDR

Set the address in *MERG* mode, it will be the start address of the DMX-B input. For example, when the DMX-A has 24 channels input and the DMX-B has 48 channels input, if you set the address to be 21, then the unit will send out total 68 channels, 1-20 channels are 1-20 channels of DMX-A input, 21-68 channels are 1-48 channels of DMX-B input.

TIME:

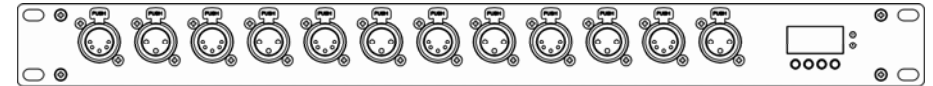
Used to set the time that the unit send each group of signal. It's useful for the lightings whose process speed is not quick enough. You can set it from 23ms to 45ms.

MODE

1. *NULL* mode: if there is no DMX input, then there will no DMX output.
2. *HOLD* mode: if there is no DMX input, it will keep the current DMX output.
3. *CLR* mode: if there is no DMX input, all the DMX output will be 0.



DMX MANAGER



CA-M26

User Manual

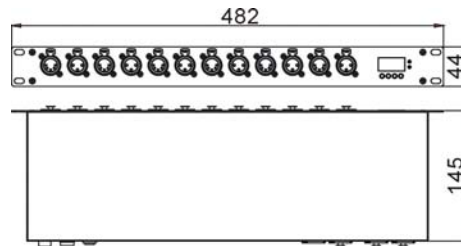
Please read the instructions carefully before use

1. Features

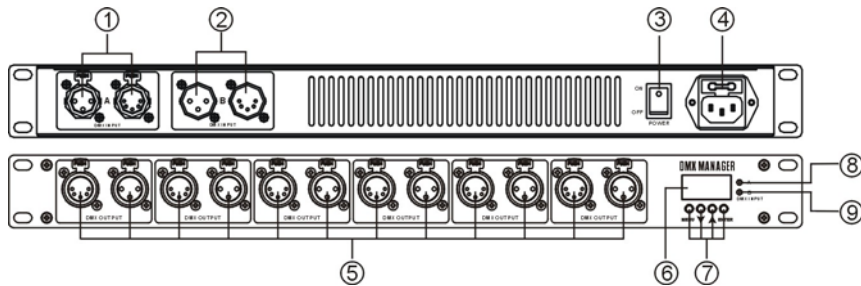
- DMX MANAGER is a DMX signal Merger & Splitter. It features 2 DMX inputs and 6 DMX outputs.
- All inputs and outputs are opto-electronically isolated to protect the DMX consoler or protect other output fixtures if one of the outputs goes faulty.
- 3 input modes:
 1. HTP mode:
 2. Blackout mode:
 3. Merge mode:
- 3 output mode if there is no DMX signal
 1. NULL
 2. HOLD
 3. ALR
- 3 pin and 5 pin XLR in/outputs
- Blue display for easy navigation

2. Technical Specification

- Power supply: 120V-60Hz/230V-50Hz
- Size: 482 x 44 x 145 mm
- Weight: 3.0kgs



3. Panel

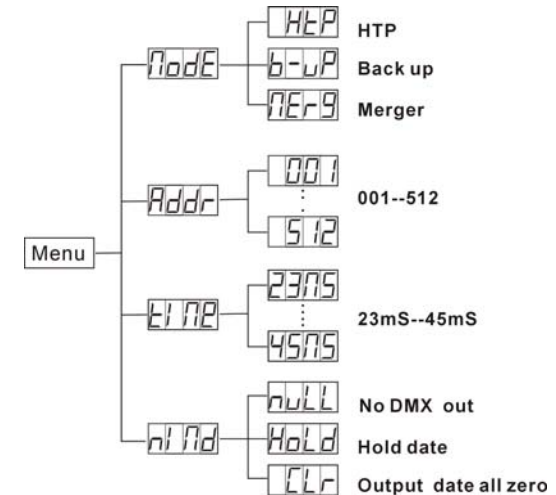


1-

- ① **DMX input A:** use 3/5-pin XLR plug cable to input DMX-A signal
- ② **DMX input B:** use 3/5-pin XLR plug cable to input DMX-B signal
- ③ **Power switch:** switch on/off the mains power
- ④ **Power input:** mains power input
- ⑤ **DMX output 1-6:** use 3/5-pin XLR plug cable to output the same DMX signal
- ⑥ **LED display:** to show the selected functions
- ⑦ **Buttons:**
 - MENU:** to enter menu mode
 - DOWN:** to go backward in the selected functions
 - UP:** to go forward in the selected functions
 - ENTER:** to confirm the selected functions
- ⑧ **Indicator LED A:** DMX input A LED indicator
- ⑨ **Indicator LED B:** DMX input B LED indicator

4. How to control the unit

To select any of the given functions, press the **MENU** button up to the required one is shown on the display. Select the function by **ENTER** button and the display will blink. Use **DOWN** and **UP** button to change the mode. Once the required mode has been selected, press the **ENTER** button to setup or it will automatically return to the main functions without any change after idling 8 seconds. To go back to the functions without any change press the **MENU** button. The main functions are shown below:



2-