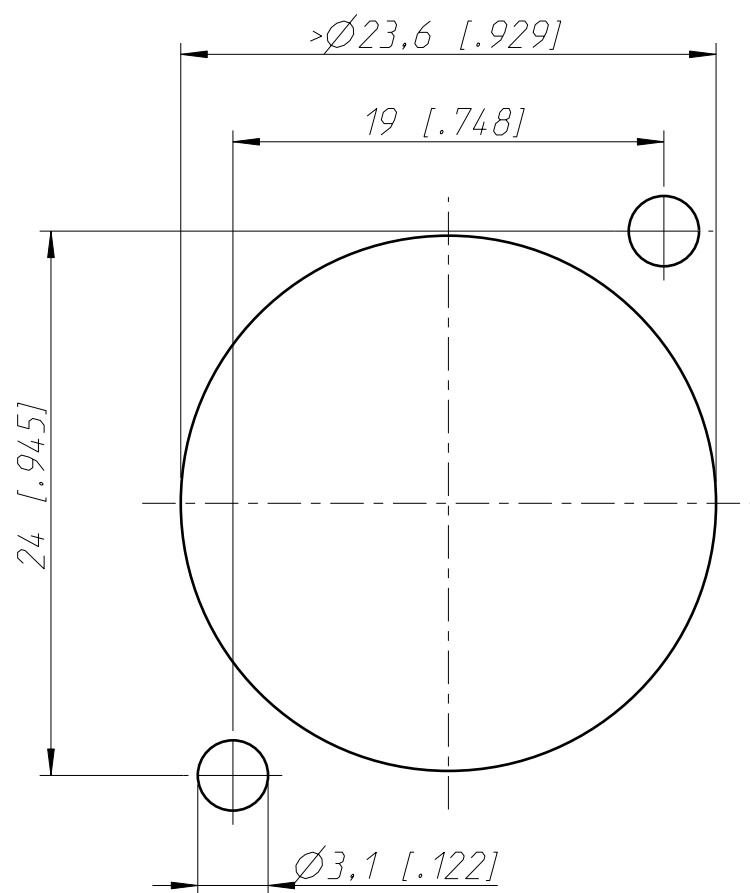


Frontplattenausschnitt (Rückseite)
panel cut out (rear side)



Refer to protection notice ISO 16016.	Scale 3:1 (A3)	Date	Name
		Drawn	Dobler
Name - NC 10MD-LX	-	Modified	-
		Change-No.	Sheet-No.
		-	1 / 1
Replacement for:		Drawing-No.	Index
NEUTRIK		ST-NC 10MD-LX	-