



weatherproof box

OUTDOOR



POWER

designed with outdoor activities in mind, this range provides safe power solutions for garden and light DIY use

FEATURES

- Dust protected, splash-proof (IP54 rated) box
- Fits bulky large adaptors, transformers and timers
- Suitable for use with up to four socket extension leads
- Five cable outlets with two optional M20 gland points
- Wall mount capability
- Socket fixing kit is supplied

- Plug four items safely into one socket
- Safety shuttered sockets
- 24 hour mechanical segment timer
- Manual override
- 15 mins per segment

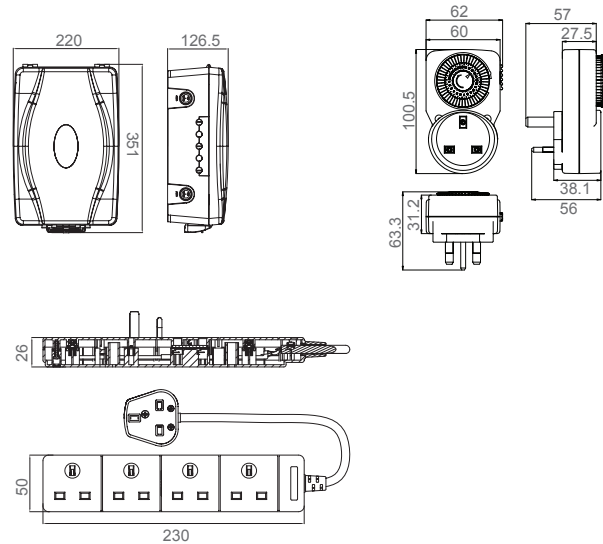


PRODUCT IMAGES



WBXBF8BTMS24

LINE DIAGRAMS



PRODUCT INFORMATION

Part Number	WBXBF8BTMS24
Product Dimensions	Height 126.5mm x Width 220mm x Depth 351mm (Weatherproof Box)
	Height 100.5mm x Width 62mm x Depth 63.3mm (Timer)
	Height 50mm x Width 230mm x Depth 26mm (Extension Lead)

TECHNICAL SPECIFICATIONS

Standard(s)	This product is certified to applicable British safety standards Weatherproof Box: EN62208:2011 Extension Lead: BS1363-2 Timer: EN60730-2-7
IP Rating	IP54
Capacity	Fits large adaptor type plugs, transformers and timers
Cable Outlets	Five outlets with two optional M20 gland points
Socket fixing kit	Supplied
Timer Maximum Load	13(2)A, 3120 Watts (2AX Inductive Load)
Extension Lead	Maximum Load (Wattage) 13A: 3120 Watts, 240 Volts



IF IN DOUBT CONSULT A QUALIFIED ELECTRICIAN

Masterplug Help Line
03300 249 279

Supplied by
Luceco PLC
Stafford Park 1 Telford TF3 3BD ENGLAND

Visit our website at
www.masterplug.com

SAFETY WARNING

PLEASE READ CAREFULLY AND USE IN ACCORDANCE WITH OUR SAFETY INSTRUCTIONS BELOW

1. This Box provides a convenient housing for temporary outdoor use ONLY. Although it may be left installed for long periods of time, it is NOT intended to be permanent arrangement, and MUST NOT be part of a fixed wiring installation.
2. An outdoor location should be chosen ensuring adequate access to a mains supply circuit. The supply cable to any equipment housed in this box MUST be protected by an appropriate RCD (Residual Current Device) protected circuit (or RCD plug, socket or adaptor) in accordance with current IEE wiring regulations.
3. For Supply Cable to box, use a 13A rated cable type recommended for use in outdoor installations. In general, round rubber or PVC insulated flexible cable should be used. The outdoor use of unprotected flat PVC insulated cable is NOT recommended.
4. It is NOT recommended to drill any additional holes other than those provided for drilling out. Doing so WILL reduce IP rating of product & increase likelihood of water ingress.
5. To ensure continued safe and proper operation, the unit MUST not be left with the Cover open or the Catch left unlocked.

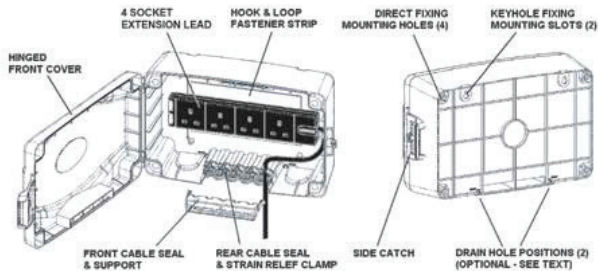
PRODUCT APPLICATION

The Weatherproof Box comprises a robust enclosure with various cable entry options, providing a safe & convenient wall-mounted housing for power supplies for outdoor equipment such as garden lighting, water features, Christmas decorations, etc. It is intended to be used with a multi-socket extension lead to suit the number of items of equipment needed - up to 4-way is recommended. The unit provides ample space to house bulky transformers, plug-in timers & other on/off controllers.

A length of self-adhesive hook & loop fastener material is provided to fix a multi-socket extension in most convenient position. In addition, four internal mounting posts on rear face may be used to mount a panel (not supplied) to suit other user equipment.

The enclosure is IP54 rated in use, which means that when the front cover is securely closed, the sealed construction provides a very high level of protection against the ingress of both water & dust.

Access to the enclosure is by means of side hinged front Cover, which can for security reasons be locked by a padlock (not supplied).



OPTIONAL FEATURES

Two blank drain hole positions are provided on lower rear edge of box. Where there is likelihood of condensation collecting in unit (subject to local conditions), one or both should be drilled out. Note, the drilling out of a drain hole will reduce the IP rating of the product. Two optional M20/25 cable gland entry positions are provided on underside of box (cable glands not supplied).

When needed, these features should be drilled out before mounting to wall.

INSTALLATION INSTRUCTIONS

1. Select a clean, rigid vertical surface suitable to accept screw type fixings. The location should ensure underside of box is at least a height of 500 - 600mm above ground level for convenient access & reduced likelihood of accidental impact damage. Surface should be reasonably flat as unevenness could cause product damage or affect operation.

2. Mount using No.8 countersunk head, steel wood screws, 38mm long min. (not supplied). Use four corner positions for direct fixing or alternatively two keyholes slots on fixing centres shown. Box **MUST** be orientated so that cable seals/drain holes are towards bottom.

3. The supplied hook & loop fastener material provides quick & easy mounting of a typical multi-socket to the rear inside face. Clean all surfaces & apply self-adhesive backing as required. Note - four internal mounting posts on rear face (on 200mm x 140mm centres) may be used to mount a panel to suit other user equipment (panel & fixings not supplied).

4. The cable seal arrangement provides five seal recesses for passage of up to five cables (normally one is used for supply cable unless cable gland entry is used). Remove cable seal support to allow access to cable recesses. Offer cable up to seal recess & press firmly into strain relief clamp. Ensure only one cable per recess. With all cables positioned, firmly press & clip cable seal support back into place.

5. Close cover & lock side catch shut. Plug in supply cable & switch on. For security to prevent unwanted tampering with catch, a lug feature with a 6mm hole is provided to accept a padlock or similar locking security device (not supplied).

6. During life of product, any cleaning should only be carried out with a damp cloth using a mild solution of detergent & warm water. **DO NOT USE** solvent based cleaners as these may cause damage. It is recommended to **ONLY** clean the external surfaces with Cover closed. **DO NOT** get any water internally if Cover is open.

