

**PRODUCT INFO**
**Connector ProTOP®**

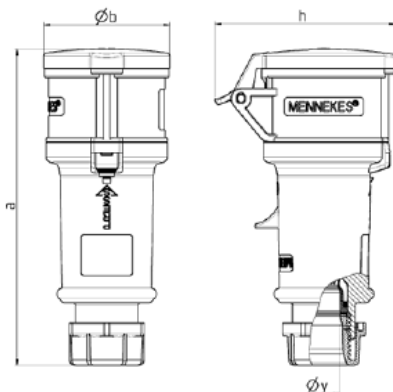
Part no. 182ZA



- screw terminals
- cable gland and sealing
- strain relief and protection against kinking
- enclosure with thread lock and safety slide

**Technical specifications**

Ampere	16 A
Poles	3 p
Voltage	230 V
Clock position	6 h
Hertz	50-60 Hz
Connection technology	Screw terminals
Contact	Standard
Protection type	IP 44
Weight	180 g

**Drawing**


Drawing	Amp. Poles	16			32		
		3	4	5	3	4	5
3 MB 60							
Dim. in mm	a	160	174	172	214	214	210
	b	57	61	69	75	75	80
	h	83	92	98	100	100	108
	y	16	16	16	22	22	22
Terminal for cond. cross		1	1	1	2.5	2.5	2.5
section (mm <sup>2</sup> ) min.-max.		-2.5	-2.5	-2.5	-6	-6	-6