



Product Data Sheet

Product Type XLR Plug

Product Model SCHM3-B

Customer Name _____

Manufacturer	Prepared	Checked	Approved

Customer	Received	Checked	Confirmed

Product Data Sheet

Product Type	XLR Plug	
Product Model	SCHM3-B	
Product Features		
<ul style="list-style-type: none">➤ 3-core XLR male plug with black plated stainless steel housing and gold plated contacts➤ Hard, durable, long lifetime and high reliability.➤ Brand new appearance design, smoother operation➤ New grounding which provides good total contact between chassis and cable connectors➤ Exquisite groove design on the boot for colored ring for coding and identification➤ Resistant to drop and pressure which can still operate stably under harsh conditions➤ The boot is equipped with polyurethane sealing sleeve to prevent the cable from being affected by bending pressure to the greatest extent		

Product Data Sheet

Product Parameters

Item	Specification
Connection type	XLR
Gender	Male

Electrical Parameters

Item	Specification
Capacitance between contacts	≤ 4 pF
Contact resistance	≤ 3 m Ω
Dielectric strength	1.5 kV DC
Insulation resistance	> 10 G Ω (initial)
Rated current per contact	16 A
Rated voltage	< 50 V

Product Data Sheet

Mechanical Parameters

Item	Specification
Cable OD	3.5 - 8.5 mm
Insertion force	≤ 20 N
Withdrawal force	≤ 20 N
Service life	> 5000 mating cycles
Cable size	Max. 2.5 mm ² Max. 14 AWG
Locking device	Latch lock

Product Data Sheet

Material and Environmental Parameters

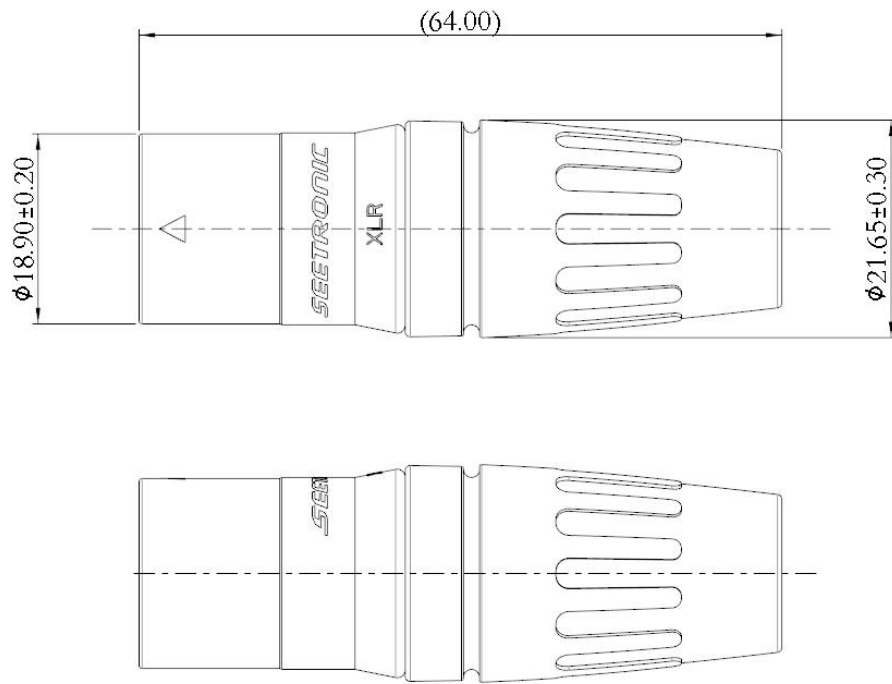
Item	Specification
Boot	PA, TPE
Contacts	Cu alloy
Contact plating	Au
Insert	PA
Housing	Stainless steel
Housing plating	Black plating
Strain relief	POM
Flame-retardant grade	UL 94 HB
Protection class	IP40
Temperature range	-30°C ~ +80°C

Standards and Certifications

Standards	IEC 61076-2-103
Solderability	Complies with IEC 68-2-20

Product Data Sheet

Product Drawing



Unit: mm

Packaging Method

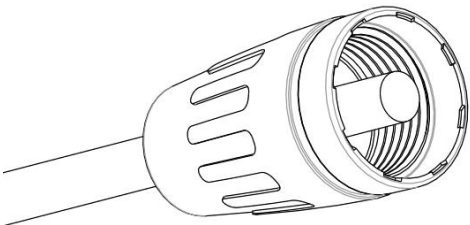
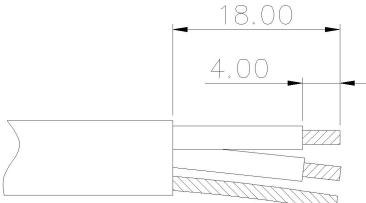
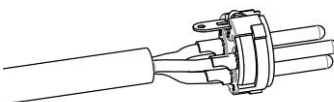
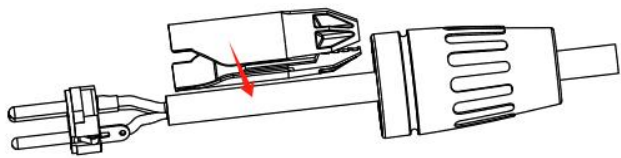
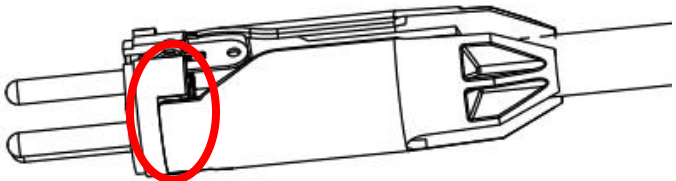
1 pc per bag (include 1 pc each of inner core, housing, cable clamp, boot)
80 pcs per inner carton, 5 inner cartons per master carton (400 pcs per master carton)

Accessory

- | | |
|--|--|
| <input checked="" type="checkbox"/> No accessories | <input type="checkbox"/> Back fastener plate |
| <input type="checkbox"/> Screws and Nuts | <input type="checkbox"/> Other |

Product Data Sheet

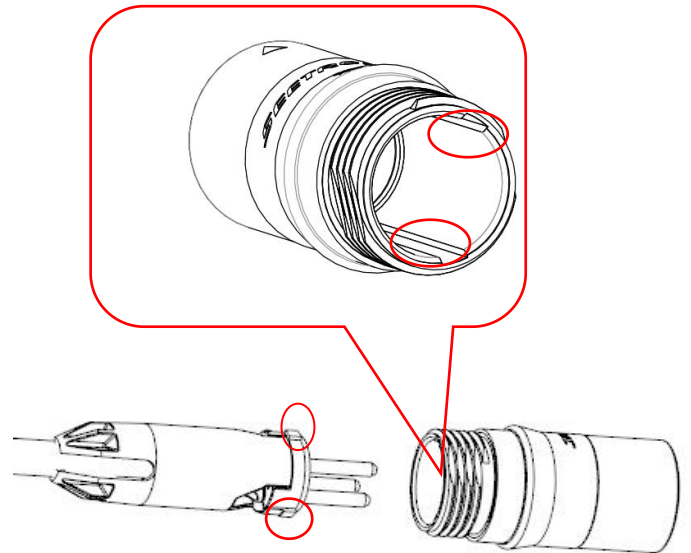
Assembly Instructions 安装使用说明

<p>(1) Put the cable through the boot 将线缆穿过尾套</p>	
<p>(2) Strip the cable in the size as shown 实际按所示尺寸剥线</p>	
<p>(3) Insert the conductor of the cable into the terminal of the inner core and solder 将线缆导体部分插入内芯端子并焊接</p>	
<p>(4) Snap the clamp into the soldered cable 将线夹扣入线缆之中</p>	
<p>(5) Insert cable into the clamp and clip into the inner core bayonet 将线缆装入线夹内并卡入内芯组件卡口处</p>	

Product Data Sheet

- (6) Push the inner core component and clamp into the housing. The two protruding ribs of the inner core component should correspond to the two grooves inside the housing.

将接完线后的内芯组件用线夹推入外壳内，内芯组件的两处凸筋需与外壳内的两处凹槽对应



- (7) After assembly of the clamp, inner core component and housing, tighten the boot in a clockwise direction

线夹组件、内芯组件与外壳装配后，将尾套按顺时针方向拧紧

