

Product type (Plug)

Product NO. MTP3C

Customer

	(APPROVAL)	(AUDIT)	(COMPILE)
Manufacturer			

	(APPROVAL)	(AUDIT)	(ACCEPT)
(Customer)			

(Product Appearance)



(Product features)

- ✓ (All Metal Shell - Strong and Reliable)
- ✓ (Excellent cable protection with splint and rubber seal sleeve)
- ✓ (Slim Design - Save Space)

(Technical parameters)

1. (Electrical parameters)

(Rated voltage)	<50V
(Contact resistance)	depends on mating connector
(Dielectric strength)	1000V DC
(Insulation resistance)	>2G Ω

2. (Mechanical parameters)

(Service life)	>1000
(Signal line)	24AWG
(Power lin)	0.2mm ²

(Cable)	Ø3.5-6.5mm
-----------	------------

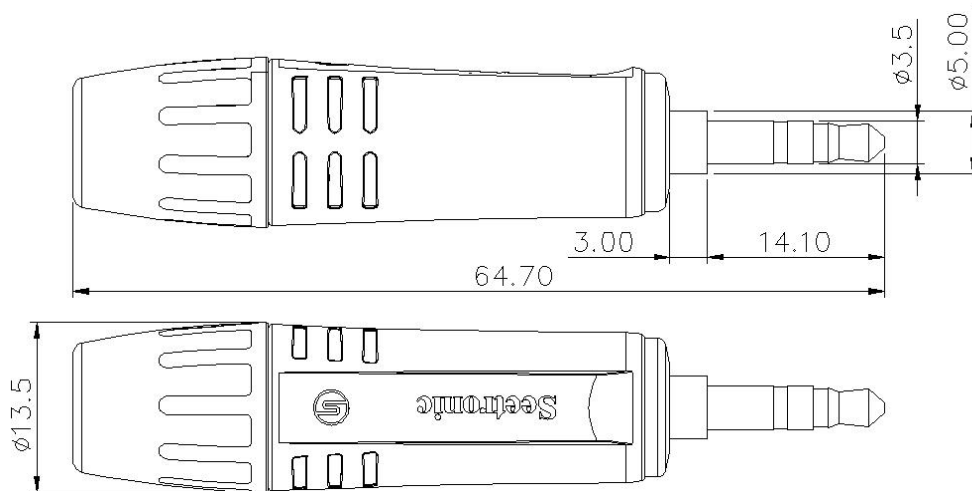
3. (Material and environmental parameters)

(Shell)	Zinc diecast
(Drivepipe)	Brass + PU
(Contacts)	Brass
(Contact surface)	Ni
(Inner core)	Polyamide
(Shell Electroplating)	Cr
(Temperature range)	-20°C to +65°C

4. (Standard)

(Electroplating Standard)	IEC 68-2-20
-----------------------------	-------------

(Product Profile)



(Installation instructions)

