

Product type            **USB (USB feedthrough chassis)**  
Product NO.            **SAUSB-W-B**  
Customer

	(APPROVAL)	(AUDIT)	(COMPILE)
<b>Manufacturer</b>			

	(APPROVAL)	(AUDIT)	(ACCEPT)
(Customer)			

## ( Product Appearance )



## ( Product features )

- ✔ The product is suitable for audio and video connection, and also for the audio system of equipment which based computer connection
- ✔ USB2.0 A-B  
Standard USB format conversion connector type A-B
- ✔ Standard D-Version installation, great convenience for engineering using

## ( Technical parameters )

### 1. ( Product parameters )

( Connection Type )	Adapter
( Gender )	female

### 2. ( Mechanical parameters )

( Chassis shape )	D
-------------------	---

### 3 ( Material and environmental parameters )

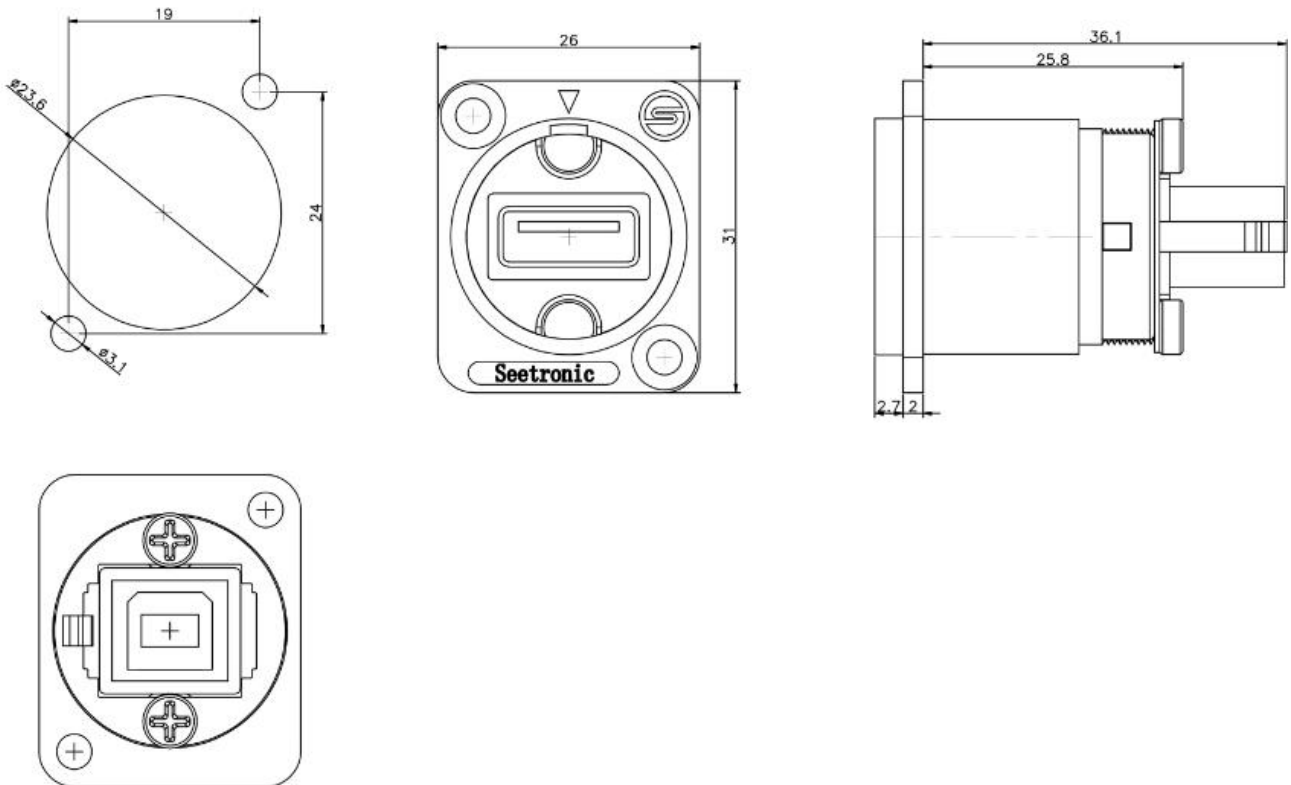
( Contacts )	Cu alloy
( Contact plating )	Au

(Insert)	PBT
(Shell)	Zinc diecast (ZnAl4Cu1)
(Shell plating)	Black coating
(Flame-retardant grade)	UL 94-V0
(Temperature range)	-25°C to +85°C

## 4 (Standard)

(Standard)	USB 2.0 specifications
------------	------------------------

## (Product Profile)



## (Installation instructions)

(Mounting direction: Front)