

Product type USB (USB feedthrough chassis)

Product NO. SAUSB-W-B

Customer _____

	(APPROVAL)	(AUDIT)	(COMPILE)
Manufacturer			

	(APPROVAL)	(AUDIT)	(ACCEPT)
(Customer)			

(Product Appearance)



(Product features)

- ✔ The product is suitable for audio and video connection, and also for the audio system of equipment which based computer connection
- ✔ USB2.0 A-B
Standard USB format conversion connector type A-B
- ✔ Standard D-Version installation, great convenience for engineering using

(Technical parameters)

1. (Product parameters)

(Connection Type)	Adapter
(Gender)	female

2. (Mechanical parameters)

(Chassis shape)	D
-------------------	---

3 (Material and environmental parameters)

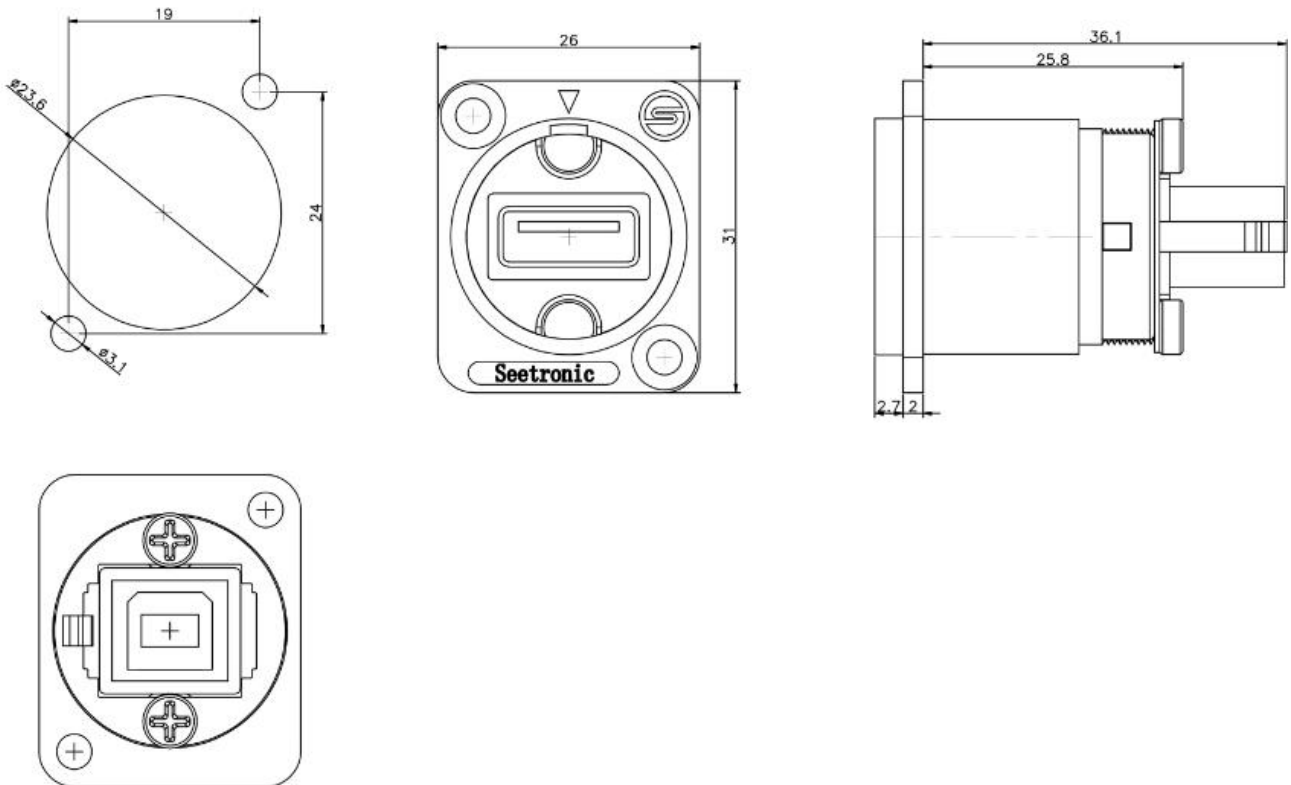
(Contacts)	Cu alloy
(Contact plating)	Au

(Insert)	PBT
(Shell)	Zinc diecast (ZnAl4Cu1)
(Shell plating)	Black coating
(Flame-retardant grade)	UL 94-V0
(Temperature range)	-25°C to +85°C

4 (Standard)

(Standard)	USB 2.0 specifications
------------	------------------------

(Product Profile)



(Installation instructions)

(Mounting direction: Front)