

Product type (Audio connector)

Product NO. ML4FC-X

Customer _____

	(APPROVAL)	(AUDIT)	(COMPILE)
Manufacturer			

	(APPROVAL)	(AUDIT)	(ACCEPT)
(Customer)			

(Product Appearance)



(Product features)

- ✓ (Quick, simple locking system)
- ✓ (Connect reliably)
- ✓ (Small size of product)

(Technical parameters)

1. (Electrical parameters)

(Contacts NO.)	4
(Rated current)	30A rms
(Rated voltage)	250V AC
(Contact resistance)	$\leq 3\text{m}\Omega$
(Dielectric strength)	4000V DC
(Insulation resistance)	$> 1\text{G}\Omega$

2. (Mechanical parameters)

(Service life)	>1000 mating cycles
(Wire diameter)	4mm ² / O.D:6~15mm

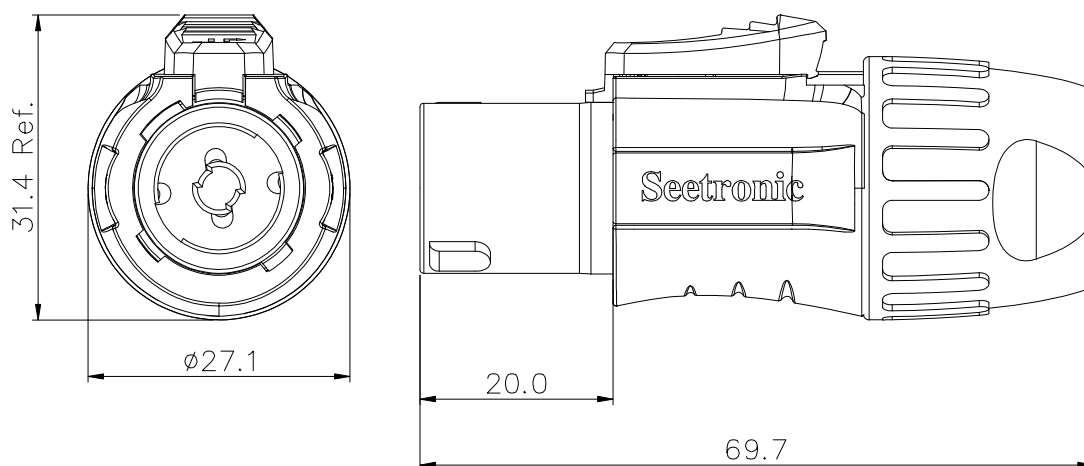
3. (Material and environmental parameters)

(Shell)	PA
(Contacts)	Cu alloy
(Contact surface)	Ag
(Flame-retardant grade)	UL94-V0
(Temperature range)	-30° C to +80° C

4. (Standard)

(Standard)	IEC61984
------------	----------

(Product Profile)



(Installation instructions)

