

Product type Plug

Product NO. SLDF4

Product NO. _____

	(APPROVAL)	(AUDIT)	(COMPILE)
Manufacturer			

	(APPROVAL)	(AUDIT)	(ACCEPT)
(Customer)			

(Product Appearance)



(Product features)

- ✓ (Quick, simple locking system)
- ✓ (Connect reliably)
- ✓ (Small size of product)

(Technical parameters)

1. (Electrical parameters)

(Contacts NO.)	4
(A single contact rated)	40 A rms
(A single contact rated)	50 A 50 %
(Rated voltage)	250V AC
(Contact resistance)	$\leq 2\text{m}\Omega$
(Dielectric strength)	4000V DC
(Insulation resistance)	$> 1000\text{M}\Omega$
(Pay attention to)	

2. (Mechanical parameters)

使用寿命 (Service life)	>1000 mating cycles
电源线径 (Power lin)	6mm ² (9mm -16mm)
端子接线方式 (Type of teminals)	screw type terminals

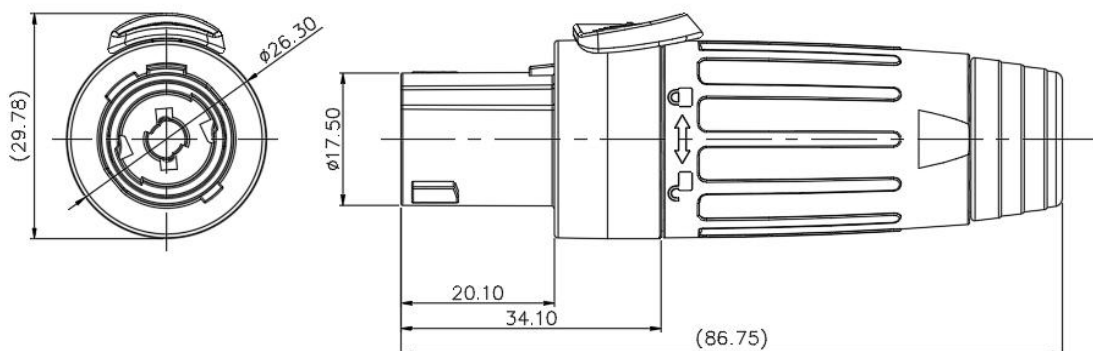
3. (Material and environmental parameters)

(Shell)	Zinc diecast
(Inner core)	Polyamide
(Lock material)	Zinc diecast
(Thread clamp set)	Polyoxymethylene
(Contacts)	Cu alloy
(Contact surface)	Ag
(Flame-retardant grade)	UL94-V0
(Temperature range)	-30°C to +80°C

4. (Standard)

(Standard)	IEC61984
------------	----------

(Product Profile)



(Installation instructions)

