

Product type Plug

Product NO. SAC3MCB

Customer _____

	(APPROVAL)	(AUDIT)	(COMPILE)
Manufacturer			

	(APPROVAL)	(AUDIT)	(ACCEPT)
(Customer)			

(Product Appearance)



(Product features)

- ✔ (Quick, simple locking system)
- ✔ (Connect reliably)
- ✔ (Small size of product)

(Technical parameters)

1. (Electrical parameters)

(Contacts NO.)	2+PE
(Rated current)	20A
(Rated voltage)	250V
(Contact resistance)	$\leq 5\text{m}\Omega$
(Dielectric strength)	4kV DC
(Insulation resistance)	$> 1000\text{M}\Omega$

2. (Mechanical parameters)

(Service life)	> 1000
(Wire diameter)	2.5mm^2
(Diameter line)	7mm-12mm
(Type of terminals)	screw type terminals

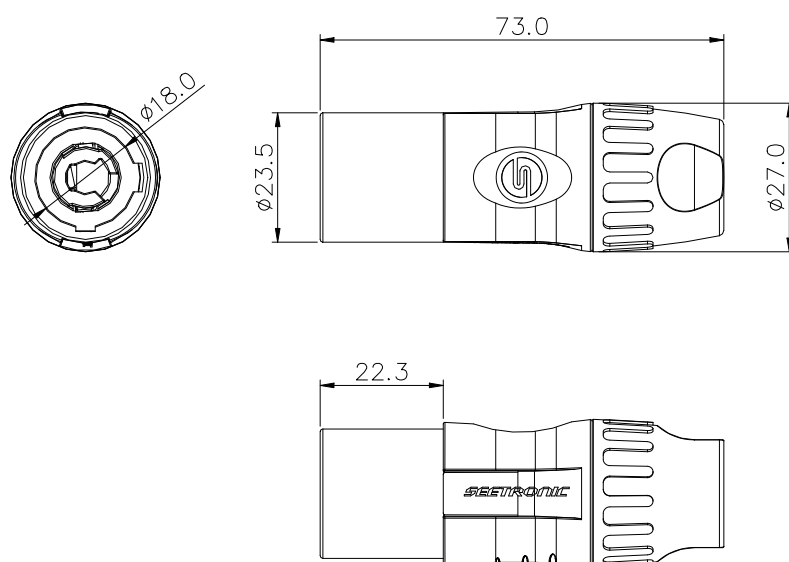
3. (Material and environmental parameters)

(Shell)	PA66+30%GF
(Contacts)	Cu alloy
(Contact surface)	Ag
(Flame-retardant grade)	UL94-V0
(Temperature range)	-30° C to +80° C

4. (Standard)

(Standard)	IEC61984 /UL1977
--------------	------------------

(Product Profile)



(Installation instructions)

