

Product type      Waterproof plug  
\_\_\_\_\_

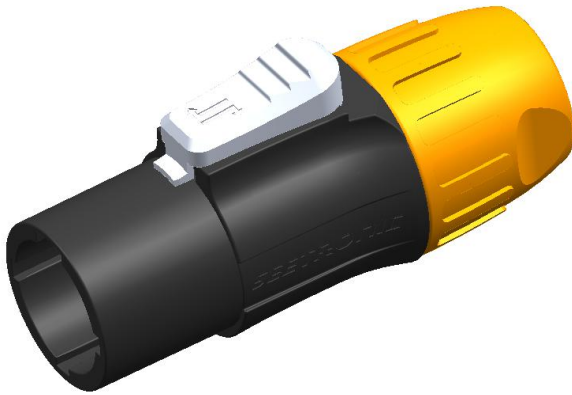
Product NO.                  SAC3MX (05)  
\_\_\_\_\_

Customer  
\_\_\_\_\_

	APPROVAL	AUDIT	COMPILE
Manufacturer			

	APPROVAL	AUDIT	ACCEPT
(Customer)			

## Product Appearance



## Product features

- ✔ Quick, simple locking system
- ✔ Connect reliably
- ✔ Small size of product

## Technical parameters

### 1. Electrical parameters

Contacts NO.	2+PE
Rated current	16A VDE(20A UL)
Rated voltage	250V AC VDE(300V AC UL)
Contact resistance	$\leq 5\text{m}\Omega$
Dielectric strength	4000V DC(1600V/min AC UL)
Insulation resistance	$> 1000\text{M}\Omega$

## 2. Mechanical parameters

Service life	> 1000 mating cycles
Power lin	2.5mm <sup>2</sup> (7mm -11mm)
Wire stripping length	7-8mm
Type of teminals	screw type terminals

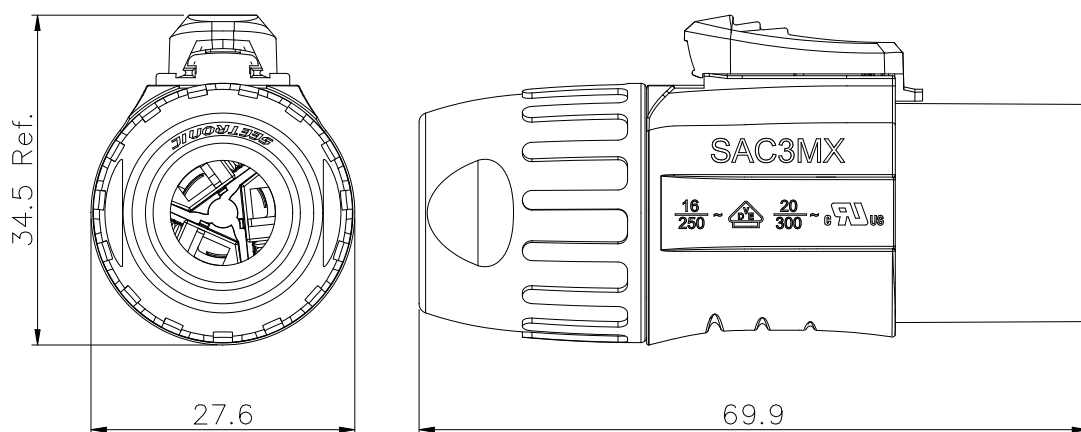
## 3. Material and environmental parameters

Shell	PA
Contacts	Cu alloy
Contact surface	Ag
Protection degree	IP65
Flame-retardant grade	UL94-V0
Temperature range	-30°C to +80°C

## 4. Standard

Standard	IEC61984/UL498
----------	----------------

## Product Profile



## Installation instructions

