

# DESKMOUNT KIT



## General Description

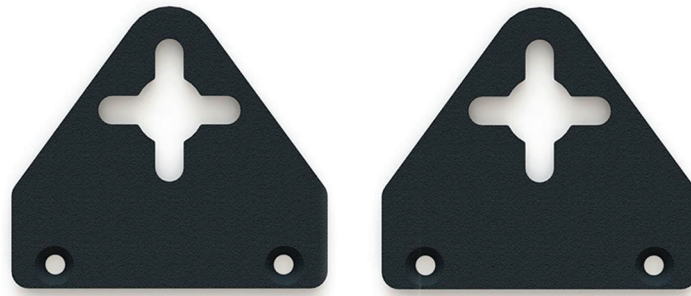
The Deskmount Kit is an option kit for use with Cloud Electronics CXA125 / CXA2125 / CXA250 / CXA2250 1/2U amplifiers. This kit enables one amplifier to be mounted on a wall or under a desk.

## Installation

If not installed in an equipment rack, CXA amplifiers can be placed free-standing on a flat surface. Adhesive rubber feet are supplied for this purpose.

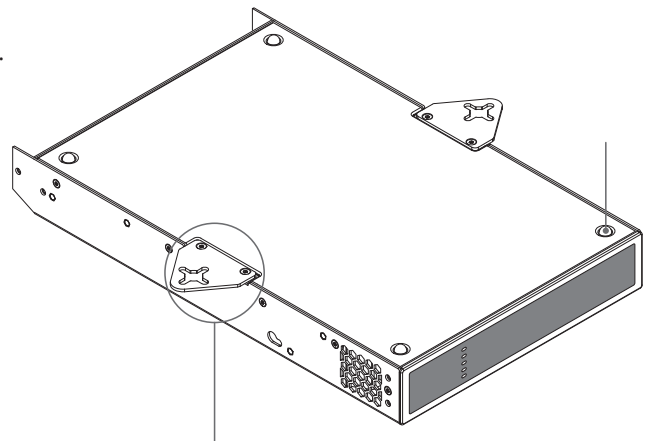
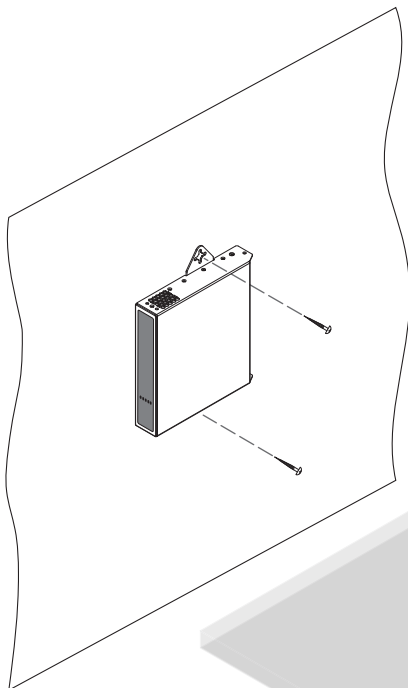
CXA amplifiers can also be attached to the underside of desks or wall mounted using connecting plate hardware. The adhesive rubber feet should also be used in these circumstances to minimise the possibility of vibration between the amplifier and mounting surface. Wall and desk mounting is illustrated in Diagrams 4D and 4E.

It is important in any free standing installation that airflow through the amplifier's side panel mounted fans and rear panel ventilation apertures is not compromised by adjacent items. At least 80mm of free space behind the amplifier and 25mm along at least one side should be retained at all times.



Including:  
4 x M3 x 6 Screws  
(countersunk)

**Diagram 4D**  
CXA with desk/wall Mounting Plate and adhesive feet.  
2 positions and 4 positions.



**Diagram 4E**  
CXA wall and under-desk mount.

