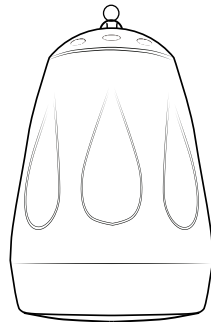


CVS CONTRACTOR SERIES LOUDSPEAKERS

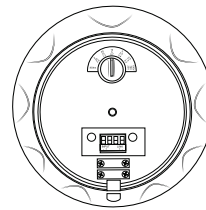
MODELS: CVS-P42T, CVS-P62T



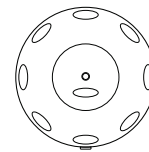
CVS-P42TB (black)



CVS-P62TW (white)



CVS-P62T Top View



Protective top cover

General Description

The Cloud CVS Contractor Series of cost-effective loudspeakers includes two pendant models specifically designed for high quality music reproduction. They are also suitable for speech and announcements and will find application in pubs and bars where a better quality of music audio is desirable. They are designed to be suspended in free space from any convenient point - from a solid ceiling or within an open ceiling structure: a complete set of suspension components is included with each loudspeaker. Horizontal dispersion is 90°.

The loudspeakers are similar in overall design and specification and differ primarily in size: the CVS-P42T uses a 4½" LF driver and the CVS-P62T a 6½" LF driver. They are of 2-way coaxial design, with an internal crossover. The LF driver cones are polypropylene with a soft rubber surround; the HF drivers are an aluminium dome tweeter design, ½" diameter in the CVS-P42T and 1" diameter in the CVS-P62T. The coaxial combination gives a pleasing musical response while preserving high speech intelligibility. Both models are constructed in polypropylene with high impact plastic baffle material. They include a 25/70/100 V-line transformer with five power tapings, plus the option for low-impedance operation (8 ohms). The power setting is selected by a rotary switch on the

upper surface of the enclosure. Connections are made via a 4-pin "Euroblock" connector; a mating connector is supplied. Each loudspeaker is supplied with a separate top cover which protects the connections and power selector switch from dust and debris after installation. The bottom face of the enclosure is sealed by an aluminium grille.

The loudspeakers may be ordered in black or white, but can be repainted in any colour to match the décor of the installation.

CVS-P42T/ CVS-P62T main features:

- High quality coaxial loudspeaker, optimised for music reproduction
- Pendant mounting with 90° horizontal coverage
- Full set of suspension components with each loudspeaker
- Integral multi-tap transformer for 25/70/100 V-line operation
- Power selection by rotary switch; low impedance setting included
- Removable top cover protects connections and selector switch
- Plug-in connector for easy wiring
- Available in black (CVS-P42TB/ CVS-P62TB) or white (CVS-P42TW/ CVS-P62TW)

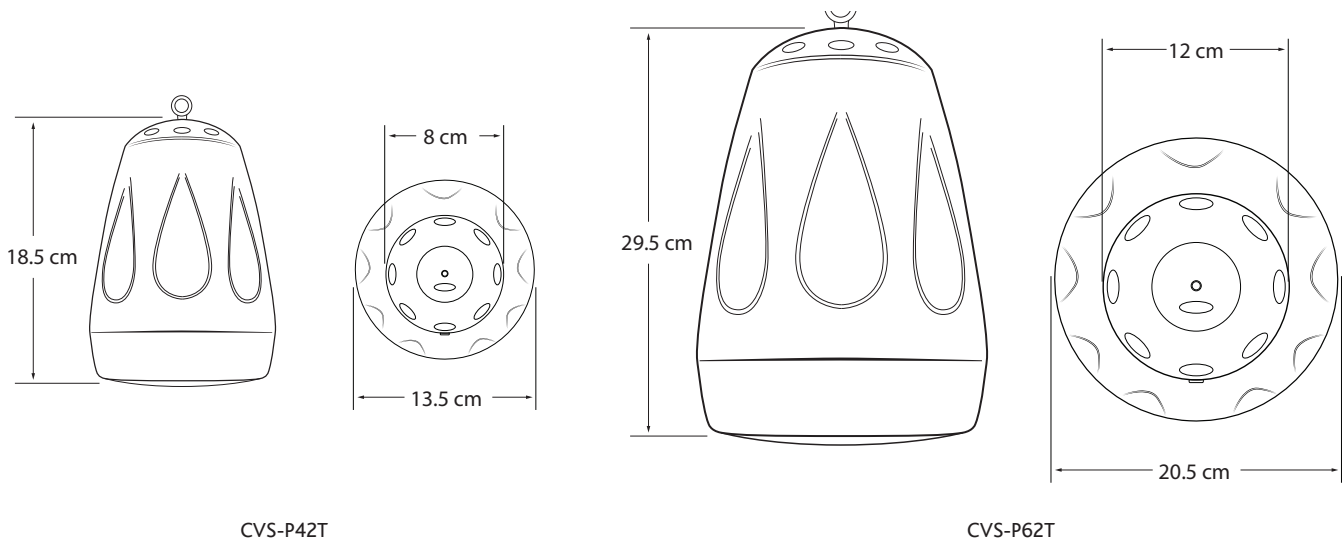
Technical Specifications

		CVS-P42T	CVS-P62T
Nominal driver diameter		4½"	6½"
Type		2-way coaxial	2-way coaxial
Tweeter design		½" aluminium dome	1" aluminium dome
Woofers design		4½" polypropylene cone, with soft rubber surround	6½" polypropylene cone, with soft rubber surround
Frequency Response (-3 dB)		125 Hz – 20 kHz	90 Hz – 20 kHz
Frequency Response (-10 dB)		90 Hz – 20 kHz	75 Hz – 20 kHz
Crossover frequency		6 kHz	5 kHz
Driver impedance		8 ohms	8 ohms
Sensitivity (1 W @ 1m)		86 dBA	88 dBA
Dispersion Angle		90°	90°
Coverage (CM²)		55.418	132.732
Power rating		20 W	20 W
Max power input		40 W	40 W
Grille type		Painted aluminium	Painted aluminium
Components supplied		Eye bolt with nut and washer, cable and carabiner; protective top cover	
Dimensions	Bottom diameter	13.5 cm (5.3")	20.5 cm (11.6")
	Top diameter	8 cm (3.15")	12 cm (4.7")
	Height	18.5 cm (7.3")	29.5 cm (11.6")
Net weight		1.4 kg (3.14 lb)	2.85 kg (6.4 lb)
Shipping weight		2.1 kg (4.7 lb)	3.75 kg (8.4 lb)

Transformer taps:

System	1	2	3	4	5	6
100 V-line	8 ohms	n/a	20 W	10 W	5 W	2.5 W
70 V-line	8 ohms	20 W	10 W	5 W	2.5 W	1.3 W
25 V-line	8 ohms	2.5 W	1.3 W	0.7 W	0.4 W	0.2 W

Loudspeaker Dimensions



CVS-P42T

CVS-P62T

Architect’s and Engineer’s Specification

The loudspeaker shall be of pendant design suitable for suspended mounting in free space from a single fixing point. The driver shall be mounted within the enclosure facing downwards such that the resulting dispersion characteristic is uniform in the horizontal plane. The enclosure shall be formed of polypropylene with high-impact plastic baffle materials, and shall be symmetrical about its vertical axis. All necessary components for suspending the loudspeaker in situ shall be included with each unit.

Two versions shall be available, with low frequency drivers of 4½” or 6½” diameter. The loudspeakers shall be equipped with a transformer suitable for connection to 100 V-line, 70 V-line or 25 V-line loudspeaker systems, and the transformer shall have at least five different power tapplings available for 70 V-line and 25 V-line operation, and four tapplings for 100 V-line operation. It shall also be possible to bypass the transformer and connect the loudspeaker to a low-impedance system. Selection of power settings or low impedance mode shall be via a rotary switch.

The loudspeaker design shall be of a two-way coaxial type, and include an integral crossover network. The LF driver cone shall be constructed of polypropylene with a soft rubber suspension and the HF driver shall be a aluminium dome type of not less than 1” diameter (6½” version) or ½” diameter (4½” version). The 4½” version shall be capable of delivering an SPL of 86 dBA from an input signal of 1 W power, measured at 1 m on-axis. The 6½” version shall be capable of delivering an SPL of 88 dBA from an input signal of 1 W power, measured at 1 m on-axis.

Electrical connections to the loudspeakers shall be on the top of the enclosure and be via a detachable multipin connector. A removable dust cover shall be supplied with each unit to protect the connections.

The loudspeakers shall be available in either black or white finish.

The loudspeakers shall be the following models in the Cloud CVS Series:

- CVS-P42TW – pendant loudspeaker, 4½” coaxial driver, white finish
- CVS-P42TB – pendant loudspeaker, 4½” coaxial driver, black finish
- CVS-P62TW – pendant loudspeaker, 6½” coaxial driver, white finish
- CVS-P62TB – pendant loudspeaker, 6½” coaxial driver, black finish