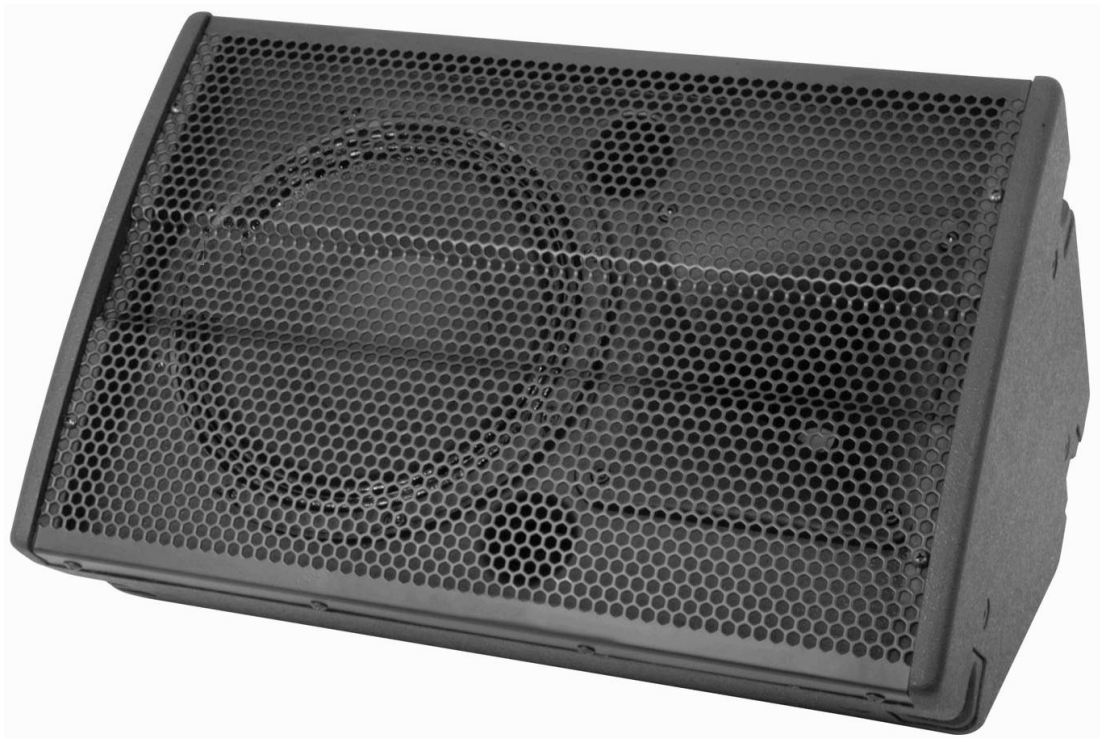


CX-2008

SPEAKER CABINET

Order ref: 170.362

User Manual



Speaker enclosure made from premium Russian ply with multi-angle design for arraying and wedge monitoring.

Cabinet has flying points for convenient installation or top-hat for pole mounting.

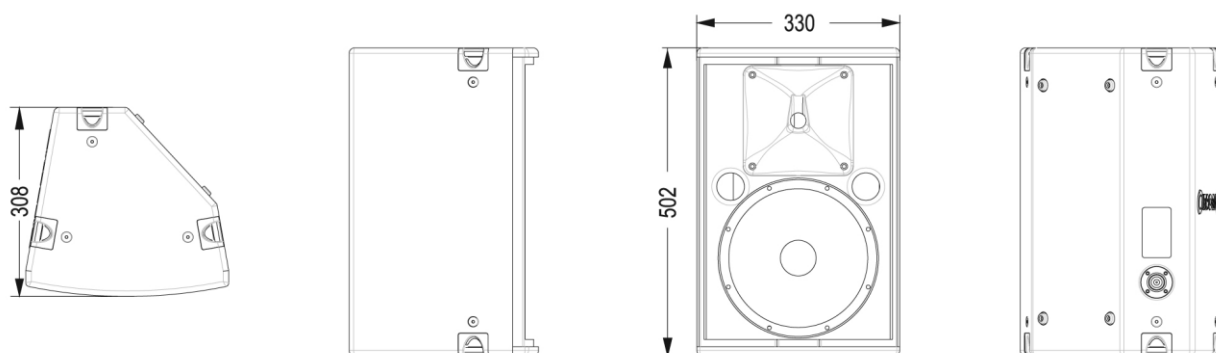
Custom designed drivers project full range output with a wide dispersion for excellent coverage to listeners.

- Full range 2-way enclosure
- Compression driver with titanium diaphragm
- Powder-coated steel grille
- Computer designed for optimal efficiency
- 35mmØ pole mount socket
- Durable black textured paint finish
- Multi-angle cabinet for monitoring or arraying

Specifications

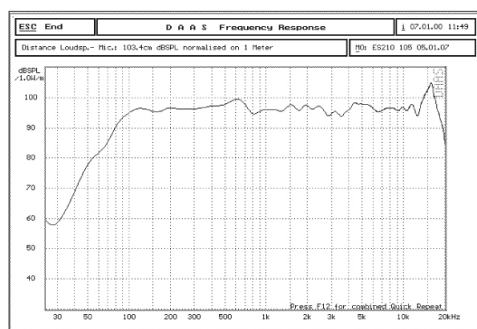
Power RMS	200W
Power Max	400W (5 minutes max)
LF driver	2 x 150mmØ (6")
HF driver	Compression driver with 44mmØ titanium diaphragm
Impedance	8Ω
Frequency response (-3dB)	60Hz - 20KHz
Sensitivity (1W/1m)	95dB
Dispersion (H x V)	55-100° x 50°
Connector	1 x Speakon® (NL 4)
Dimensions	330 x 308 x 502mm
Weight	15.2kg

Technical drawings

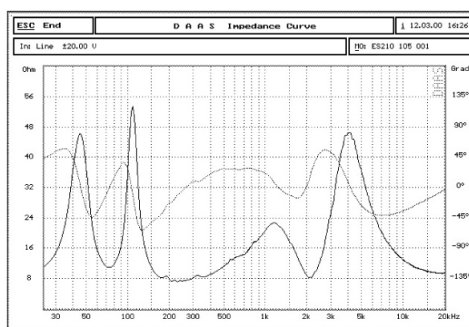


Technical Diagrams

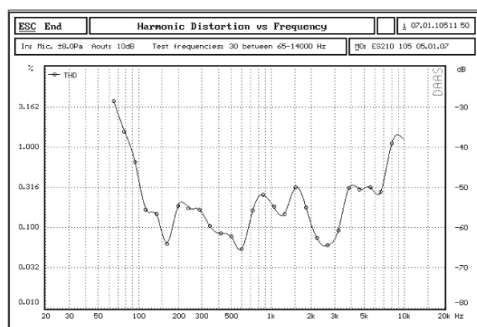
Frequency response - Magnitude



Impedance - Magnitude



Distortion - Magnitude



Waterfall - Magnitude

