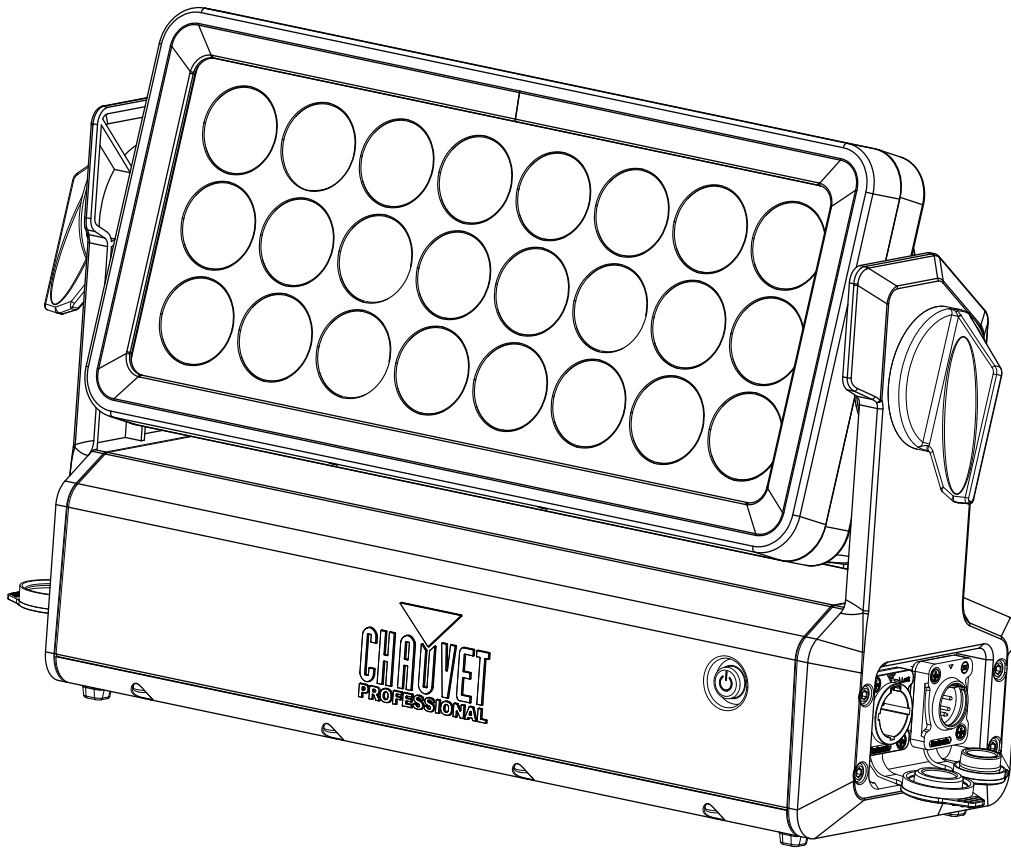


WELL PANEL

WIRELESS EVENT LED LUMINAIRE

Quick Reference Guide

English	EN
Español	ES
Français	FR
Deutsch	DE
Nederlands	NL



Model ID: WELLPANEL


CHAUVET
PROFESSIONAL

About This Guide

The WELL Panel Quick Reference Guide (QRG) has basic product information such as connection, mounting, menu options, and DMX values. Download the User Manual from www.chauvetprofessional.com for more details.

Disclaimer

The information and specifications contained in this QRG are subject to change without notice.

LIMITED WARRANTY

FOR WARRANTY REGISTRATION AND COMPLETE TERMS AND CONDITIONS PLEASE VISIT OUR WEBSITE.

For Customers in the United States and Mexico: www.chauvetlighting.com/warranty-registration.

For Customers in the United Kingdom, Republic of Ireland, Belgium, the Netherlands, Luxembourg, France, and Germany: www.chauvetlighting.eu/warranty-registration.

Chauvet warrants that this product shall be free from defects in material and workmanship under normal use, for the period specified in, and subject to the exclusions and limitations set forth in the full limited warranty on our website. This warranty extends only to the original purchaser of the product and is not transferable. To exercise rights under this warranty, you must provide proof of purchase in the form of an original sales receipt from an authorized dealer that shows the product name and date of purchase. THERE ARE NO OTHER EXPRESS OR IMPLIED WARRANTIES. This warranty gives you specific legal rights. You may also have other rights that vary from state to state and country to country. This warranty is valid only in the United States, United Kingdom, Republic of Ireland, Belgium, the Netherlands, Luxembourg, France, Germany and Mexico. For warranty terms in other countries, please consult your local distributor.

Safety Notes

These Safety Notes include important information about installation, use, and maintenance.

- DO NOT open this product. It contains no user-serviceable parts.
- DO NOT look at the light source when the product is on.
- To eliminate unnecessary wear and improve its lifespan, during periods of non-use completely disconnect the product from power via breaker or by unplugging it.
- CAUTION: When transferring product from extreme temperature environments, (e.g. cold truck to warm humid ballroom) condensation may form on the internal electronics of the product. To avoid causing a failure, allow product to fully acclimate to the surrounding environment before connecting it to power.
- CAUTION: This product's housing may be hot when lights are operating.
- Mount this product in a location with adequate ventilation, at least 20 in (50 cm) from adjacent surfaces.
- DO NOT leave any flammable material within 50 cm of this product while operating or connected to power.
- USE a safety cable when mounting this product overhead.
- DO NOT submerge this product (IP65). Regular outdoor operation is fine.
- DO NOT operate this product if the housing, lenses, or cables appear damaged.
- DO NOT connect this product to a dimmer or rheostat.
- ONLY connect this product to a grounded and protected circuit.
- In the event of a serious operating problem, stop using immediately.
- The maximum ambient temperature is 113 °F (45 °C). Do not operate this product at higher temperatures.
- The minimum startup temperature is -4°F (-20°C). Do not start the product at lower temperatures.
- The minimum ambient temperature is -22°F (-30°C). Do not operate the product at lower temperatures.

FCC Compliance

This device complies with Part 15 Part B of the FCC Rules. Operation is subject to the following two conditions:

1. This device may not cause harmful interference, and
2. This device must accept any interference received, including interference that may cause undesired operation.

Any changes or modifications not expressly approved by the party responsible for compliance could void the user's authority to operate the equipment.

RF Exposure Warning for North America and Australia

Warning! This equipment complies with FCC radiation exposure limits set forth for an uncontrolled environment. This equipment should be installed and operated with a minimum distance of 20cm between the radiator and your body. This transmitter must not be co-located or operating in conjunction with any other antenna or transmitter.

Contact

Outside the U.S., U.K., Ireland, Benelux, France, Germany, or Mexico contact your distributor to request support or return a product. Visit www.chauvetprofessional.com for contact information.

What is Included

- WELL Panel
- Seetronic Powerkon IP65 power cord
- Color blending filter lens
- Omega bracket with mounting hardware
- Quick Reference Guide

AC Power

This product has an auto-ranging power supply that can work with an input voltage range of 100–240 VAC, 50/60 Hz.

AC Plug

Connection	Wire (U.S.)	Wire (Europe)	Screw Color
AC Live	Black	Brown	Yellow/Brass
AC Neutral	White	Blue	Silver
AC Ground	Green/Yellow	Green/Yellow	Green



To eliminate wear and improve its lifespan, during periods of non-use completely disconnect the product from power via breaker or by unplugging it.

Battery Charge Notes

This product is equipped with a built-in rechargeable lithium ion battery.

- Avoid depleting the battery below 10%.
- For best results, charge the battery in a temperature between 32 °F (0 °C), and 95 °F (35 °C).
- When charging the battery, keep the product at least 1 m from any open flame or hot plate.
- If the battery is completely discharged, the device cannot be turned on immediately when the charger is connected. Allow a depleted battery to charge for a few minutes before turning on the device.
- While charging, the device may heat up. This is normal and should not affect the device's lifespan or performance. If the battery gets hotter than usual, the charger may stop charging.
- Always charge the battery with the product in an upright position.
- Do not charge the battery for more than 24 hours.

Storage Notes

- Store charged product(s) in a dry environment, away from direct sunlight.
- Charge or discharge the battery to approximately 50% of capacity before storage.
- Lithium-Ion batteries continue to slowly discharge (self-discharge) when not in use or while in storage. Routinely check the battery's charge status.
- Store the battery at temperatures between 41 °F and 68 °F (5 °C and 20 °C).
- Always store the product in an upright position ($\leq 10^\circ$ tilt).

DMX Linking

The WELL Panel will work with a DMX controller using a 5-pin DMX data connection or a wireless DMX connection. A DMX Primer is available from www.chauvetprofessional.com.

DMX Connection

The WELL Panel uses a wireless or 5-pin DMX data connection for its DMX personalities: **4Ch**, **8Ch**, **12Ch**, **13Ch**, and **21Ch**. See the User Manual for information about connecting and configuring the product for DMX operation.

Master/Slave Connection

The WELL Panel uses the DMX data connection for its Master/Slave mode. See the User Manual for information about connect and configure the product for master/slave operation.

Wireless Operation

In optimal conditions, the WELL Panel can operate up to 300 m (900 ft) away from the W-DMX transmitter. The W-DMX receiver in the WELL Panel must be paired with the W-DMX transmitter for wireless operation.

Initial Setup

1. Turn the W-DMX transmitter on.
2. Connect the W-DMX transmitter to a DMX controller.
3. Place the WELL Panel within 300 m from the W-DMX transmitter.
4. Turn the WELL Panel on.

Configuration

1. From the WELL Panel's control panel, go to **DMX Address**.
2. Select the start address, as with any other DMX compatible product.
3. Go to **Wireless Setting > Receive On/Off**.
4. Select **On**. (The Signal Strength Indicator will show a ? in front of the bars)
5. Press the reset button on the W-DMX transmitter.
(The Signal Strength Indicator on the WELL Panel will show a 4 in front of the bars for 3 seconds while a connection is established.)

Product Pairing

If the WELL Panel has already been paired with the W-DMX transmitter, the Signal Strength Indicator in the middle of the OLED screen will show the strength of the signal. In this case, the WELL Panel is ready to work in Wireless mode.

Pairing the WELL Panel and a new W-DMX transmitter

1. From the WELL Panel's control panel, go to **Wireless Setting > Receive Reset**.
2. Select **Yes**. The Signal Strength Indicator on the WELL Panel will show a ? in front of the bars.
3. From the W-DMX transmitter, press **<RESET>** (the Signal Indicator on the transmitter will flash).
4. Once the transmitter has found the WELL Panel, the Signal indicator on the W-DMX transmitter will illuminate solid.
5. The Signal Strength Indicator in the middle of the OLED screen on the WELL Panel will show the strength of the signal.



W-DMX operation can be interrupted or inhibited by liquid masses between the transmitter and receiver such as water, snow, or people. For best results, keep the area between the transmitter and receiver clear of any liquid mass.

RDM (Remote Device Management)

Remote Device Management, or RDM, is a standard for allowing DMX-enabled devices to communicate bi-directionally along existing DMX cabling. The WELL Panel supports RDM protocol that allows feedback to monitor temperature and changes to **DMX Address**, **DMX Channel**, **Dimmer Mode**, and **LED Frequency** menu options. Download the User Manual from www.chauvetprofessional.com for more details.

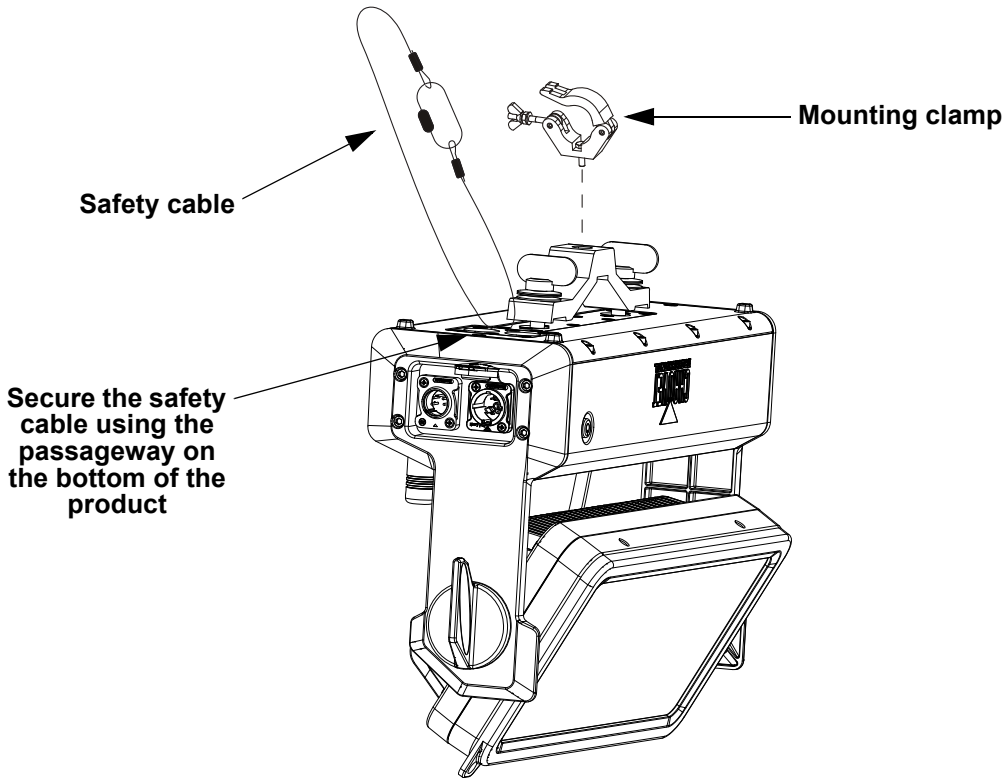
Color Blending Filter Lens

The Color Blending Filter Lens produces a very even light that is soft at the edges. Attach the Color Blending Filter Lens easily with the built-in magnets.

Mounting

Before mounting this product, read the [Safety Notes](#). Use at least one mounting point per product. Make sure the mounting clamps are capable of supporting the weight of the product. For our CHAUVET Professional line of mounting clamps, go to <http://trusst.com/products>.

Mounting Diagram



Color Temperature Chart

DMX Value	Display Readout
000 ⇔ 005	--
006 ⇔ 025	2800K
026 ⇔ 050	3200K
051 ⇔ 075	3500K
076 ⇔ 100	4000K
101 ⇔ 125	4500K
126 ⇔ 150	5000K
151 ⇔ 175	5600K
176 ⇔ 200	6000K
201 ⇔ 225	6500K
226 ⇔ 255	--



The color temperatures above are simulated renditions of the color output produced as compared to a tungsten lamp at the specified color temperature. Chauvet makes no guarantee of the color output accuracy.

Control Panel Description

Button	Function
<MODE>	Exits from the current menu or function
<ENTER>	Enables the currently displayed menu or sets the currently selected value into the selected function
<UP>	Navigates upwards through the menu list and increases the numeric value when in a function
<DOWN>	Navigates downwards through the menu list and decreases the numeric value when in a function

Menu Map

Refer to the WELL Panel product page at www.chauvetprofessional.com for the latest menu map.

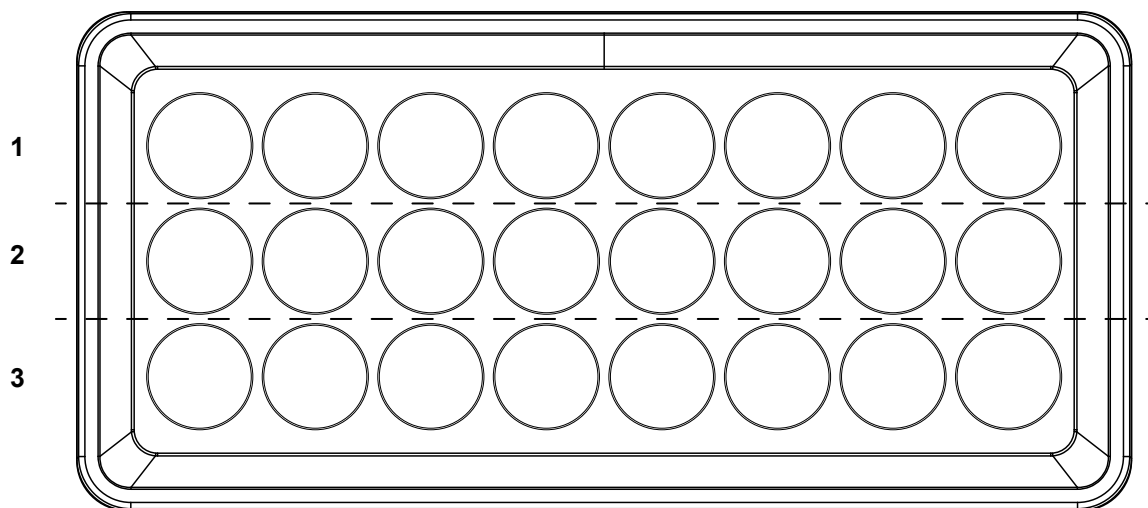
Main Level	Programming Levels		Description	
DMX Address	001–509		Selects DMX address (highest channel restricted to personality chosen)	
DMX Channel	4 Ch		4-channel: RGBW	
	8 Ch		8-channel: 16-bit dimmer, RGBW, Strobe, Red shift	
	12 Ch		12-channel: 3-zone RGBW	
	13 Ch		13-channel: 16-bit dimmer, RGBW, Strobe, Color macro, Color temperature, Auto program, Auto speed, Dimmer speed, Red shift	
	21 Ch		21-channel: 16-bit dimmer, 3-zone RGBW, Strobe, Color macro, Color temperature, Auto program, Auto speed, Dimmer speed, Red shift	
Static	Fixed Color	R	Red	
		G	Green	
		B	Blue	
		W	White	
		GB	Green and blue	
		RB	Red and blue	
		RG	Red and green	
		RGB	Red, green, and blue	
		RW	Red and white	
		GW	Green and white	
		BW	Blue and white	
		RGW	Red, green, and white	
		RBW	Red, blue, and white	
	GBW	Green, blue, and white		
	RGBW	Red, green, blue, and white		
	Color Temperature	2800K	Dimmer 000–255	Preset white color temperatures. Emulates a tungsten lamp at the specified color temperature.
		3200K		
		3500K		
		4000K		
		4500K		
5000K				
5600K				
6000K				
6500K				
Manual Color Mixer	Red	000–255	Combine red, green, blue, and white to make a custom color temperature	
	Green			
	Blue			
	White			
Auto Show	Auto 1–9	001–100	Selects automatic programs and program speed	

Main Level	Programming Levels		Description	
Red Shift	On		Turns on or off Red Shift (amber LEDs imitate lamp when dimming)	
	Off			
Master/Slave	Master		DMX mode (Master)	
	Slave		Slave mode	
Dimmer Mode	Off		Linear dimmer	
	Dimmer 1–3		Dimming curves Dimmer 1 (fast) to Dimmer 3 (slow)	
Dimmer Curve	Linear		Liner dimmer	
	Square		Square curve dimmer	
	I Squa		Reverse square curve dimmer	
	Scurve		S curve dimmer	
White Balance	Off		Uses factory default white setting	
	Manual	Red	125–255	Sets red LED maximum value
		Green		Sets green LED maximum value
		Blue		Sets blue LED maximum value
		White		Sets white LED maximum value
LED Frequency	600Hz		Sets the PWM frequency	
	1200Hz			
	2000Hz			
	4000Hz			
	6000Hz			
	25KHz			
Wireless Setting	Receive On/Off	On	Enables/disables wireless DMX	
		Off		
	Receive Reset	No	Resets wireless receiver	
		Yes		
Line Voltage Power Loss Mode	Stay In State		If line power is lost, the fixture will continue to function as programmed under battery power (default)	
	All At Full		After 5 seconds of line power loss, all LEDs will go to full power (returns to normal operation when line power is restored)	
	Dim Out		After 5 seconds of line power loss, the LEDs will dim in a 10 second fade to black (returns to normal operation when line power is restored)	
Run Time	Off		Maximum intensity for all LEDs	
	3 Hours		Reduced intensity, limiting battery run time to 3 hours	
	5 Hours		Reduced intensity, limiting battery run time to 5 hours	
	8 Hours		Reduced intensity, limiting battery run time to 8 hours	
Back Light	12 Hours		Extends battery to the maximum run time of 12 hours	
	10S		Turns off display backlight after 10 seconds of inactivity	
	30S		Turns off display backlight after 30 seconds of inactivity	
	2Min		Turns off display backlight after 2 minutes of inactivity	
Key Lock	Always On		Display backlight always on	
	On		Locks display (password is <UP>, <DOWN>, <UP>, <DOWN>, <ENTER>)	
Off				
Information	Fixture Hours	<_ _ _ _ H>	Shows total hours the product has been powered on	
	Version	<V _ . _>	Shows current firmware version	
	UID	<_ _ _ _ _>	Shows product UID	
Factory Reset	No		Resets the product to factory default settings	
	Yes			

EN

DMX Values

Zones for DMX Control



21 Ch

Channel	Function	Value	Percent/Setting
1	Dimmer	000 ⇔ 255	0–100%
2	Dimmer Fine	000 ⇔ 255	0–100%
3	Red 1	000 ⇔ 255	0–100%
4	Green 1	000 ⇔ 255	0–100%
5	Blue 1	000 ⇔ 255	0–100%
6	White 1	000 ⇔ 255	0–100%
7	Red 2	000 ⇔ 255	0–100%
8	Green 2	000 ⇔ 255	0–100%
9	Blue 2	000 ⇔ 255	0–100%
10	White 2	000 ⇔ 255	0–100%
11	Red 3	000 ⇔ 255	0–100%
12	Green 3	000 ⇔ 255	0–100%
13	Blue 3	000 ⇔ 255	0–100%
14	White 3	000 ⇔ 255	0–100%
15	Strobe	000 ⇔ 010	No function
		011 ⇔ 255	Strobe, slow to fast

Channel	Function	Value	Percent/Setting
16	Color Macro	000 ⇄ 010	No function
		011 ⇄ 030	R: 100% G: 0–100% B: 0%
		031 ⇄ 050	R: 100–0% G: 100% B: 0%
		051 ⇄ 070	R: 0% G: 100% B: 0–100%
		071 ⇄ 090	R: 0% G: 100–0% B: 100%
		091 ⇄ 110	R: 0–100% G: 0% B: 100%
		111 ⇄ 130	R: 100% G: 0% B: 100–0%
		131 ⇄ 150	R: 100% G: 0–100% B: 0–100%
		151 ⇄ 170	R: 100% G: 100–0% B: 100%
		171 ⇄ 200	R: 100% G: 100% B: 100%
		201 ⇄ 205	Dark amber
		206 ⇄ 210	Amber
		211 ⇄ 215	Light amber
		216 ⇄ 220	Dark pink
		221 ⇄ 225	Pink
		226 ⇄ 230	Light pink
		231 ⇄ 235	No color pink
		236 ⇄ 240	No color blue
241 ⇄ 245	Light blue		
246 ⇄ 250	Cornflower blue		
251 ⇄ 255	Light pale blue		
17	Color Temperature	000 ⇄ 005	No function
		006 ⇄ 025	2800K
		026 ⇄ 050	3200K
		051 ⇄ 075	3500K
		076 ⇄ 100	4000K
		101 ⇄ 125	4500K
		126 ⇄ 150	5000K
		151 ⇄ 175	5600K
		176 ⇄ 200	6000K
		201 ⇄ 225	6500K
		226 ⇄ 255	No function
18	Auto Programs	000 ⇄ 010	No function
		011 ⇄ 037	Auto program 1
		038 ⇄ 064	Auto program 2
		065 ⇄ 091	Auto program 3
		092 ⇄ 118	Auto program 4
		119 ⇄ 145	Auto program 5 (Auto program 1–4)
		146 ⇄ 172	Auto program 6
		173 ⇄ 199	Auto program 7
		200 ⇄ 226	Auto program 8
		227 ⇄ 255	Auto program 9 (Auto program 6–8)
19	Auto Program Speed	000 ⇄ 255	Auto speed, slow to fast
20	Dimmer Speed Mode	000 ⇄ 051	Preset dimmer speed from display menu
		052 ⇄ 101	Dimmer speed mode off
		102 ⇄ 152	Dimmer speed mode 1 (fastest)
		153 ⇄ 203	Dimmer speed mode 2
		204 ⇄ 255	Dimmer speed mode 3 (slowest)
21	Red Shift	000 ⇄ 010	No Function
		011 ⇄ 127	On
		128 ⇄ 255	Off

13 Ch

Channel	Function	Value	Percent/Setting
1	Dimmer	000 ⇔ 255	0–100%
2	Dimmer Fine	000 ⇔ 255	0–100%
3	Red	000 ⇔ 255	0–100%
4	Green	000 ⇔ 255	0–100%
5	Blue	000 ⇔ 255	0–100%
6	White	000 ⇔ 255	0–100%
7	Strobe	000 ⇔ 010 011 ⇔ 255	No function Strobe, slow to fast
8	Color Macro	000 ⇔ 010 011 ⇔ 030 031 ⇔ 050 051 ⇔ 070 071 ⇔ 090 091 ⇔ 110 111 ⇔ 130 131 ⇔ 150 151 ⇔ 170 171 ⇔ 200 201 ⇔ 205 206 ⇔ 210 211 ⇔ 215 216 ⇔ 220 221 ⇔ 225 226 ⇔ 230 231 ⇔ 235 236 ⇔ 240 241 ⇔ 245 246 ⇔ 250 251 ⇔ 255	No function R: 100% G: 0–100% B: 0% R: 100–0% G: 100% B: 0% R: 0% G: 100% B: 0–100% R: 0% G: 100–0% B: 100% R: 0–100% G: 0% B: 100% R: 100% G: 0% B: 100–0% R: 100% G: 0–100% B: 0–100% R: 100% G: 100–0% B: 100% R: 100% G: 100% B: 100% Dark amber Amber Light amber Dark pink Pink Light pink No color pink No color blue Light blue Cornflower blue Light pale blue
9	Color Temperature	000 ⇔ 005 006 ⇔ 025 026 ⇔ 050 051 ⇔ 075 076 ⇔ 100 101 ⇔ 125 126 ⇔ 150 151 ⇔ 175 176 ⇔ 200 201 ⇔ 225 226 ⇔ 255	No function 2800K 3200K 3500K 4000K 4500K 5000K 5600K 6000K 6500K No function
10	Auto Programs	000 ⇔ 010 011 ⇔ 037 038 ⇔ 064 065 ⇔ 091 092 ⇔ 118 119 ⇔ 145 146 ⇔ 172 173 ⇔ 199 200 ⇔ 226 227 ⇔ 255	No function Auto program 1 Auto program 2 Auto program 3 Auto program 4 Auto program 5 (Auto program 1–4) Auto program 6 Auto program 7 Auto program 8 Auto program 9 (Auto program 6–8)
11	Auto Program Speed	000 ⇔ 255	Auto speed, slow to fast

Channel	Function	Value	Percent/Setting
12	Dimmer Speed Mode	000 ⇄ 051	Preset dimmer speed from display menu
		052 ⇄ 101	Dimmer speed mode off
		102 ⇄ 152	Dimmer speed mode 1 (fastest)
		153 ⇄ 203	Dimmer speed mode 2
		204 ⇄ 255	Dimmer speed mode 3 (slowest)
13	Red Shift	000 ⇄ 010	No Function
		011 ⇄ 127	On
		128 ⇄ 255	Off

12 Ch

Channel	Function	Value	Percent/Setting
1	Red 1	000 ⇄ 255	0–100%
2	Green 1	000 ⇄ 255	0–100%
3	Blue 1	000 ⇄ 255	0–100%
4	White 1	000 ⇄ 255	0–100%
5	Red 2	000 ⇄ 255	0–100%
6	Green 2	000 ⇄ 255	0–100%
7	Blue 2	000 ⇄ 255	0–100%
8	White 2	000 ⇄ 255	0–100%
9	Red 3	000 ⇄ 255	0–100%
10	Green 3	000 ⇄ 255	0–100%
11	Blue 3	000 ⇄ 255	0–100%
12	White 3	000 ⇄ 255	0–100%

8 Ch

Channel	Function	Value	Percent/Setting
1	Dimmer	000 ⇄ 255	0–100%
2	Dimmer Fine	000 ⇄ 255	0–100%
3	Red	000 ⇄ 255	0–100%
4	Green	000 ⇄ 255	0–100%
5	Blue	000 ⇄ 255	0–100%
6	White	000 ⇄ 255	0–100%
7	Strobe	000 ⇄ 010	No function
		011 ⇄ 255	Strobe, slow to fast
8	Red Shift	000 ⇄ 010	No Function
		011 ⇄ 127	On
		128 ⇄ 255	Off

4 Ch

Channel	Function	Value	Percent/Setting
1	Red	000 ⇄ 255	0–100%
2	Green	000 ⇄ 255	0–100%
3	Blue	000 ⇄ 255	0–100%
4	White	000 ⇄ 255	0–100%

Acerca de Esta Guía

La Guía de Referencia Rápida (GRR) del WELL Panel contiene información básica sobre el producto, como montaje, opciones de menú y valores DMX. Descargue el manual de usuario de www.chauvetprofessional.com para información más detallada.

Exención de Responsabilidad

La información y especificaciones contenidas en esta GRR están sujetas a cambio sin previo aviso.

GARANTÍA LIMITADA

PARA VER EL REGISTRO DE GARANTÍA Y LOS TÉRMINOS Y CONDICIONES COMPLETOS, VISITE NUESTRO SITIO WEB.

Para clientes en los Estados Unidos y México: www.chauvetlighting.com/warranty-registration.

Para clientes en Reino Unido, República de Irlanda, Bélgica, Países Bajos, Luxemburgo, Francia y Alemania: www.chauvetlighting.eu/warranty-registration.

Chauvet garantiza que este producto estará libre de defectos de material y mano de obra en condiciones de uso normales, durante el periodo especificado, sujeto siempre a las exclusiones y limitaciones establecidas en la garantía limitada completa de nuestro sitio web. Esta garantía se concede únicamente al comprador original del producto y no es transferible. Para ejercer los derechos que otorga esta garantía, usted debe proporcionar una prueba de compra en forma de un recibo de compra original, expedido por un distribuidor autorizado, donde figure el nombre del producto y la fecha de compra. **NO EXISTEN ÓTRAS GARANTÍAS EXPRESAS NI IMPLÍCITAS.** Esta garantía le otorga derechos legales específicos. Es posible que a usted le asistan otros derechos, que variarán dependiendo del estado o del país. Esta garantía solamente es válida en los Estados Unidos, Reino Unido, República de Irlanda, Bélgica, Países Bajos, Luxemburgo, Francia, Alemania y México. Para conocer los términos de garantía en otros países, consulte a su distribuidor local.

Notas de Seguridad

Estas notas de seguridad incluyen información importante sobre el montaje, uso y mantenimiento.

- NO abra este producto. No contiene piezas reparables por el usuario.
- NO mire a la fuente de luz cuando el producto esté encendido.
- Para evitar un desgaste innecesario y alargar su vida útil, desconecte complemente el producto de la alimentación, mediante el interruptor o desenchufándolo, durante los periodos en los que no se use.
- Cuidado: cuando transfiera el producto desde ambientes con temperatura extrema (p. ej., del remolque frío de un camión a una sala de baile con calor y humedad), puede formarse condensación en la electrónica interna del producto. Para evitar que se produzca una avería, deje que el producto se aclimate completamente al ambiente antes de conectar la alimentación.
- ¡CUIDADO! La carcasa de este producto está caliente cuando las luces están en funcionamiento.
- Monte este producto en una ubicación con ventilación adecuada, al menos a 20" (50 cm) de superficies adyacentes.
- NO deje ningún material inflamable a menos de 50 cm de este producto mientras esté funcionando o conectado a la alimentación.
- USE un cable de seguridad cuando monte este producto en lo alto.
- NO sumerja este producto (IP65). La operación normal en exteriores es correcta.
- NO ponga en funcionamiento este producto si sospecha que la carcasa, lentes o cables están dañados.
- NO conecte este producto a un atenuador o reostato.
- Conecte este producto SOLO a un circuito con toma de tierra y protegido.
- La máxima temperatura ambiente es de 113 °F (45 °C). No haga funcionar este producto a temperaturas más altas.
- La temperatura de inicio máxima es de -4 °F (-20 °C). No ponga en funcionamiento el producto a temperaturas más bajas.
- La temperatura ambiente mínima es de -22 °F (-30 °C). No haga funcionar el producto a temperaturas más bajas.
- En caso de un problema grave de funcionamiento, deje de usarlo inmediatamente.

Cumplimiento de la FCC

Este dispositivo cumple la parte 15, parte B de las normas FCC. El funcionamiento está supeditado al cumplimiento de estas dos condiciones:

1. Este dispositivo no puede causar interferencias perjudiciales; y
2. Este dispositivo debe aceptar cualquier interferencia recibida, incluyendo las interferencias que puedan causar un funcionamiento no deseado.

Cualquier cambio o modificación que no haya sido expresamente autorizado por la parte responsable de conformidad puede anular la potestad del usuario para hacer funcionar el equipo.

Advertencia de exposición a RF para América del Norte y Australia

¡Advertencia! Este equipo cumple los límites FCC de exposición a radiación establecidos para un entorno no controlado. Este equipo debe instalarse y manejarse con una distancia mínima de 20 cm entre el radiador y su cuerpo. Este transmisor no se debe situar junto a ninguna otra antena o transmisor ni hacerse funcionar en combinación con ellos.

Contacto

Fuera de EE.UU, Reino Unido, Irlanda, Benelux, Francia, Alemania o México, póngase en contacto con su distribuidor para solicitar asistencia o devolver el producto. Visite www.chauvetprofessional.com para información de contacto.

Qué va Incluido

- WELL Panel
- Cable de alimentación Seetronic Powerkon IP65
- Lente filtro de mezcla de colores
- Soporte Omega con material de montaje
- Guía de Referencia Rápida

Corriente Alterna

Este producto tiene una fuente de alimentación con detección automática que puede funcionar con un rango de tensión de entrada de 100–240 VCA, 50/60 Hz.

Enchufe CA

Conexión	Cable (EE.UU)	Cable (Europa)	Color del Tornillo
CA Cargado	Negro	Marrón	Amarillo/Bronce
CA Neutro	Blanco	Azul	Plata
CA Tierra	Verde/Amarillo	Verde/Amarillo	Verde



Para evitar un desgaste innecesario y alargar su vida útil, desconecte complemente el producto de la alimentación, mediante el interruptor o desenchufándolo, durante los periodos en los que no se use.

Notas sobre la carga de baterías

Este producto va equipado con una batería recargable de ion de litio integrada

- Evite que la batería se descargue por debajo del 10%.
- Para mejores resultados, cargue la batería a una temperatura de entre 32 °F (0 °C) y 95 °F (35 °C).
- Al cargar la batería, mantenga el producto al menos a una distancia de 1 m de cualquier llama abierta o placa caliente.
- Si la batería está completamente descargada, el dispositivo no se puede encender inmediatamente después de conectar el cargador. Deje que la batería descargada se cargue durante unos minutos antes de encender el dispositivo.
- Mientras se carga, el dispositivo podría calentarse. Esto es normal y no debe afectar a vida útil del dispositivo ni a su rendimiento. Si la batería se caliente más de lo habitual, es posible que el cargador deje de cargar.
- Cuando cargue la batería, mantenga abierta la cubierta de la maleta de transporte.
- Cargue siempre la batería con el producto en posición vertical.
- No cargue la batería durante más de 24 horas

Notas sobre el almacenamiento

- Almacene el(los) producto(s) cargado(s) en un ambiente seco, lejos de la luz directa del sol.
- Cargue o descargue la batería a un 50 % de su capacidad aproximadamente antes de guardarla.
- Las baterías de ion de litio continúan descargándose lentamente (autodescarga) cuando no se usan o mientras están almacenadas. Realice comprobaciones periódicas del estado de la batería.
- Almacene la batería a temperaturas entre 41 °F y 68 °F (5 °C y 20 °C).
- Almacene siempre el producto en posición vertical ($\leq 10^\circ$ de inclinación).

Enlace DMX

El WELL Panel funcionará con un controlador DMX usando una conexión serie DMX normal o una conexión DMX inalámbrico. Hay un Manual DMX disponible en www.chauvetprofessional.com.

Conexión DMX

El WELL Panel usa una conexión de datos DMX normal o inalámbrico para sus personalidades DMX: **4Ch**, **8Ch**, **12Ch**, **13Ch**, y **21Ch**. Vea el Manual de usuario para conectar y configurar para funcionamiento DMX.

Conexión Maestro/Esclavo

El WELL Panel usa la conexión de datos DMX para su modo Maestro/Esclavo Vea el Manual de usuario para conectar y configurar para funcionamiento Maestro/Esclavo.

Funcionamiento inalámbrico

En condiciones óptimas, el WELL Panel puede funcionar a una distancia de hasta 300 m (900 ft) del transmisor W-DMX. El receptor W-DMX del WELL Panel tiene que estar emparejado con el transmisor W-DMX para el funcionamiento inalámbrico.

Configuración inicial

1. Encienda el transmisor W-DMX.
2. Conecte el transmisor W-DMX a un controlador DMX.
3. Sitúe el WELL Panel a una distancia de hasta 300 m del transmisor W-DMX.
4. Desconecte cualquier cable DMX del WELL Panel.
5. Encienda el WELL Panel.

Configuración

1. Desde el panel de control del WELL Panel vaya a **DMX Address**.
2. Seleccione la dirección de inicio, al igual que con cualquier otro producto compatible con DMX.
3. Vaya a **Wireless Setting > Receive On/Off**.
4. Seleccione **On**. (en el indicador de potencia de señal aparecerá una ? delante de las barras)
5. Pulse el botón de reinicio del transmisor W-DMX. (en el indicador de potencia de señal del WELL Panel aparecerá ⚡ delante de las barras durante 3 segundos mientras se establece la conexión.)

Emparejamiento de productos

Si el WELL Panel ya se ha emparejado con el transmisor W-DMX, el indicador de potencia de señal en el medio de la pantalla OLED mostrará la potencia de la señal. En este caso, el WELL Panel está listo para funcionar en modo inalámbrico.

1. Desde el panel de control del WELL Panel's vaya a **Wireless Setting**.
2. Seleccione **Receive Reset**. En el indicador de potencia de señal del WELL Panel aparecerá una ? delante de las barras.
3. Desde el transmisor W-DMX, pulse **<RESET>** (el indicador de señal del transmisor parpadeará).
4. Una vez que el transmisor haya encontrado el WELL Panel, el indicador de señal del transmisor W-DMX se iluminará de forma constante.
5. El indicador de potencia de señal en el medio de la pantalla OLED del WELL Panel mostrará la potencia de la señal.



Masas líquidas entre el transmisor y el receptor, como agua, nieve o personas, pueden interrumpir o impedir el funcionamiento por W-DMX. Para mejores resultados, mantenga la zona entre el transmisor y el receptor sin ninguna masa líquida.

RDM (gestión remota del dispositivo)

Remote Device Management (gestión remota del dispositivo) o RDM, es un estándar que permite a los dispositivos con capacidad DMX una comunicación bidireccional por un cableado DMX existente. El WELL Panel admite protocolo RDM, que posibilita información para supervisar la temperatura y cambiar las opciones del menú **DMX Address**, **DMX Channel**, **Dimmer Mode** y **LED Frequency**. Descargue el manual de usuario de www.chauvetprofessional.com para una información más detallada.

Lente filtro de mezcla de colores

La lente filtro de mezcla de colores produce una luz muy uniforme, de perfiles suaves. Acople la lente filtro de mezcla de colores fácilmente con los imanes incorporados.

Montaje

Antes de montar este producto, lea las [Notas de Seguridad](#). Utilice al menos un punto de montaje por producto. Asegúrese de que las abrazaderas de montaje son capaces de soportar el peso del producto. Para nuestra línea Chauvet de abrazaderas de montaje, visite <http://trusst.com/products>.

Diagrama de Montaje

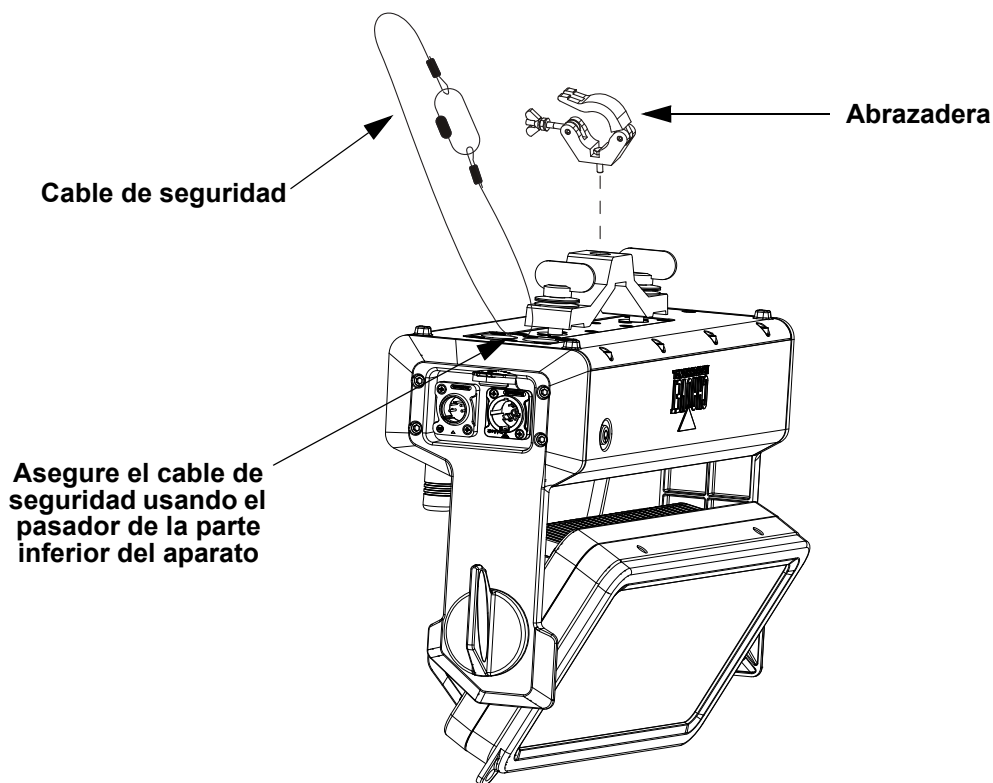


Gráfico de temperaturas de color

Valor DMX	Lectura en Pantalla
000 ⇔ 005	--
006 ⇔ 025	2800K
026 ⇔ 050	3200K
051 ⇔ 075	3500K
076 ⇔ 100	4000K
101 ⇔ 125	4500K
126 ⇔ 150	5000K
151 ⇔ 175	5600K
176 ⇔ 200	6000K
201 ⇔ 225	6500K
226 ⇔ 255	--



Las temperaturas de color que aparecen arriba son interpretaciones simuladas de la emisión de color producida cuando se compara con una lámpara de tungsteno a la temperatura de color especificada. Chauvet no garantiza la exactitud del color emitido.

Descripción del Panel de Control

Botón	Función
<MODE>	Salir del menú o función actual
<ENTER>	Habilita el menú actualmente en pantalla o configura el valor seleccionado actualmente dentro de la función seleccionada
<UP>	Navega hacia arriba por la lista de menú y aumenta el valor numérico cuando está en una función
<DOWN>	Navega hacia abajo por la lista de menú y disminuye el valor numérico cuando está en una función

Mapa de Menú

Consulte la página del producto WELL Panel en www.chauvetprofessional.com para ver el último mapa de menú.

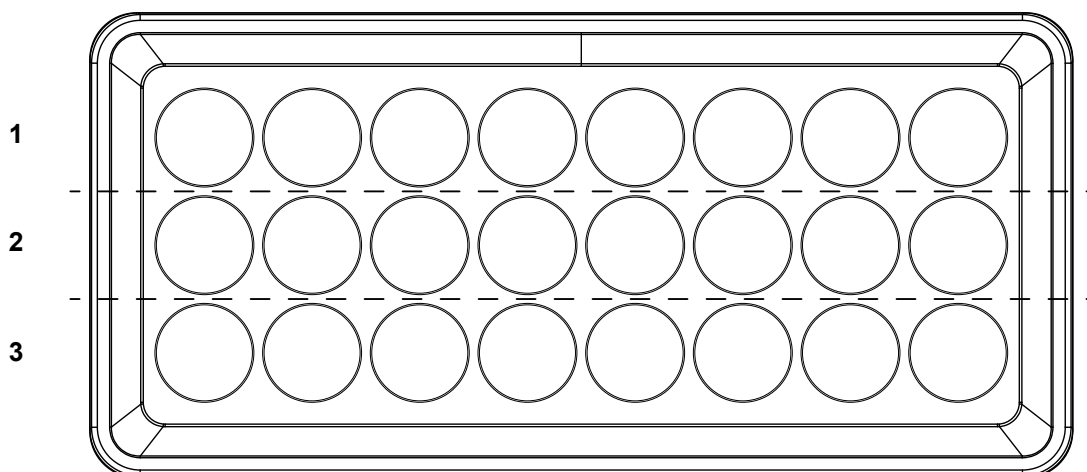
Nivel Principal	Niveles de Programación		Descripción
DMX Address	001–509		Selecciona la dirección de inicio (canal más alto restringido a la elección de personalidad)
DMX Channel	4 Ch		4 canales: RGBW
	8 Ch		8 canales: 16 bits atenuador, RGBW, estroboscopio, cambio a rojo
	12 Ch		12 canales: 3 zonas RGBW
	13 Ch		13 canales: 16 bits atenuador, RGBW, estroboscopio, macro de color, temperatura de color, programa automático, velocidad de programa, velocidad de atenuador, cambio a rojo
	21 Ch		21 canales: 16 bits atenuador, 3 zonas RGBW, estroboscopio, macro de color, temperatura de color, programa automático, velocidad de programa, velocidad de atenuador, cambio a rojo
Static	Fixed Color	R	Rojo
		G	Verde
		B	Azul
		W	Blanco
		GB	Verde y azul
		RB	Rojo y azul
		RG	Rojo y verde
		RGB	Rojo, verde y azul
		RW	Rojo y blanco
		GW	Verde y blanco
		BW	Azul y blanco
		RGW	Rojo, verde y blanco
		RBW	Rojo, azul y blanco
		GBW	Verde, azul y blanco
	RGBW	Rojo, verde, azul y blanco	
Color Temperature	000–255	2800K	Temperaturas de color blanco Emula una lámpara de tungsteno a la temperatura de color especificada.
		3200K	
		3500K	
		4000K	
		4500K	
		5000K	
		5600K	
		6000K	
		6500K	
		Manual Color Mixer	
Green			
Blue			
White			
Auto Show	Auto 1–9	001–100	Selecciona programas automáticos y velocidad
Red Shift	On		Apaga o enciende el cambio a rojo (los LED ámbar imitan una lámpara cuando se atenúan)
	Off		
Master/Slave	Master		Modo DMX (maestro)
	Slave		Modo esclavo
Dimmer Mode	Off		Atenuador lineal
	Dimmer 1–3		Curvas de atenuador rápido (Dimmer 1) a lento (Dimmer 3)

Nivel Principal	Niveles de Programación		Descripción
Dimmer Curve	Linear		Atenuador lineal
	Square		Atenuador con curva cuadrática
	I Squa		Atenuador con curva cuadrática inversa
	Scurve		Atenuador con curva S
White Balance	Manual	Off	Utiliza la configuración de blanco predeterminada de fábrica
		Red	Establece el valor máximo de LED rojo
		Green	Establece el valor máximo de LED verde
		Blue	Establece el valor máximo de LED azul
		White	Establece el valor máximo de LED blanco
LED Frequency	600Hz		Selecciona la frecuencia de emisión PWM
	1200Hz		
	2000Hz		
	4000Hz		
	6000Hz		
	25KHz		
Wireless Setting	Receive On/Off	On	Apaga/enciende la función DMX inalámbrica
		Off	
	Receive Reset	No	Reinicia la configuración inalámbrica
		Yes	
Line Voltage Power Loss Mode	Stay In State		Si se pierde la alimentación, el aparato continuará funcionando según lo programado con alimentación por batería (predeterminado).
	All At Full		A los 5 segundos de la pérdida de alimentación de la red eléctrica, todos los LED se pondrán a plena potencia (volverá el funcionamiento normal cuando se recupere la alimentación de la red eléctrica).
	Dim Out		A los 5 segundos de la pérdida de alimentación de la red eléctrica, todos los LED se atenuarán a negro con un fade de 10 segundos (volverá el funcionamiento normal cuando se recupere la alimentación de la red eléctrica).
Run Time	Off		Intensidad máxima, limitando el tiempo de funcionamiento de la batería
	3 Hours		Intensidad reducida, limitando el tiempo de funcionamiento de la batería a 3 horas
	5 Hours		Intensidad reducida, limitando el tiempo de funcionamiento de la batería a 5 horas
	8 Hours		Intensidad reducida, limitando el tiempo de funcionamiento de la batería a 8 horas
	12 Hours		Extiende la batería al tiempo máximo de funcionamiento de 12 horas
Back Light	10S		Retro-iluminación de la pantalla se apaga después de 10 segundos de inactividad
	30S		Retro-iluminación de la pantalla se apaga después de 30 segundos de inactividad
	2Min		Retro-iluminación de la pantalla se apaga después de 2 minutos de inactividad
	Always On		Retro-iluminación de la pantalla siempre activa
Key Lock	On		Bloquea la pantalla (la contraseña es <UP>, <DOWN>, <UP>, <DOWN>, <ENTER>)
	Off		
Information	Fixture Hours	<_ _ _ _H>	Muestra el nombre total de las horas del producto
	Version	<V _ _>	Muestra instalada la versión de firmware
	UID	<_ _ _ _ _>	Muestra el UID # del producto
Reset Factory	No		Reinicia a la configuración de fábrica
	Yes		

ES

Valores DMX

Zonas para control DMX



21 Ch

Canal	Función	Valor	Porcentaje/Configuración
1	Atenuador	000 ⇔ 255	0–100%
2	Atenuador fino	000 ⇔ 255	0–100%
3	Rojo 1	000 ⇔ 255	0–100%
4	Verde 1	000 ⇔ 255	0–100%
5	Azul 1	000 ⇔ 255	0–100%
6	Blanco 1	000 ⇔ 255	0–100%
7	Rojo 2	000 ⇔ 255	0–100%
8	Verde 2	000 ⇔ 255	0–100%
9	Azul 2	000 ⇔ 255	0–100%
10	Blanco 2	000 ⇔ 255	0–100%
11	Rojo 3	000 ⇔ 255	0–100%
12	Verde 3	000 ⇔ 255	0–100%
13	Azul 3	000 ⇔ 255	0–100%
14	Blanco 3	000 ⇔ 255	0–100%
15	Estroboscopio	000 ⇔ 010 011 ⇔ 255	Sin función Estroboscopio, lento a rápido

Canal	Función	Valor	Porcentaje/Configuración
16	Macro de color	000 ⇔ 010	Sin función
		011 ⇔ 030	R: 100% G: 0–100% B: 0%
		031 ⇔ 050	R: 100–0% G: 100% B: 0%
		051 ⇔ 070	R: 0% G: 100% B: 0–100%
		071 ⇔ 090	R: 0% G: 100–0% B: 100%
		091 ⇔ 110	R: 0–100% G: 0% B: 100%
		111 ⇔ 130	R: 100% G: 0% B: 100–0%
		131 ⇔ 150	R: 100% G: 0–100% B: 0–100%
		151 ⇔ 170	R: 100% G: 100–0% B: 100%
		171 ⇔ 200	R: 100% G: 100% B: 100%
		201 ⇔ 205	Ámbar oscuro
		206 ⇔ 210	Ámbar
		211 ⇔ 215	Ámbar claro
		216 ⇔ 220	Rosa oscuro
		221 ⇔ 225	Rosa
		226 ⇔ 230	Rosa claro
		231 ⇔ 235	Sin color rosa
		236 ⇔ 240	Sing color azul
241 ⇔ 245	Azul claro		
246 ⇔ 250	Azul aciano		
251 ⇔ 255	Azul pálido claro		
17	Temperatura de color	000 ⇔ 005	Sin función
		006 ⇔ 025	2800K
		026 ⇔ 050	3200K
		051 ⇔ 075	3500K
		076 ⇔ 100	4000K
		101 ⇔ 125	4500K
		126 ⇔ 150	5000K
		151 ⇔ 175	5600K
		176 ⇔ 200	6000K
		201 ⇔ 225	6500K
226 ⇔ 255	Sin función		
18	Programas automáticos	000 ⇔ 010	Sin función
		011 ⇔ 037	Programa automático 1
		038 ⇔ 064	Programa automático 2
		065 ⇔ 091	Programa automático 3
		092 ⇔ 118	Programa automático 4
		119 ⇔ 145	Programa automático 5 (Programa automático 1–4)
		146 ⇔ 172	Programa automático 6
		173 ⇔ 199	Programa automático 7
		200 ⇔ 226	Programa automático 8
		227 ⇔ 255	Programa automático 9 (Programa automático 6–8)
19	Velocidad de programa	000 ⇔ 255	Velocidad, lente a rápida
20	Velocidad atenuador	000 ⇔ 051	Ajuste de la velocidad del atenuador desde la pantalla
		052 ⇔ 101	Modo velocidad del atenuador desactivado
		102 ⇔ 152	Velocidad de atenuador 1 (rápida)
		153 ⇔ 203	Velocidad de atenuador 2
		204 ⇔ 255	Velocidad de atenuador 3 (lenta)
21	Cambio a rojo	000 ⇔ 010	Sin función
		011 ⇔ 127	Encendido
		128 ⇔ 255	Apagado

ES

13 Ch

Canal	Función	Valor	Porcentaje/Configuración
1	Atenuador	000 ⇔ 255	0–100%
2	Atenuador fino	000 ⇔ 255	0–100%
3	Rojo	000 ⇔ 255	0–100%
4	Verde	000 ⇔ 255	0–100%
5	Azul	000 ⇔ 255	0–100%
6	Blanco	000 ⇔ 255	0–100%
7	Estroboscopio	000 ⇔ 010 011 ⇔ 255	Sin función Estroboscopio, lento a rápido
8	Macro de color	000 ⇔ 010 011 ⇔ 030 031 ⇔ 050 051 ⇔ 070 071 ⇔ 090 091 ⇔ 110 111 ⇔ 130 131 ⇔ 150 151 ⇔ 170 171 ⇔ 200 201 ⇔ 205 206 ⇔ 210 211 ⇔ 215 216 ⇔ 220 221 ⇔ 225 226 ⇔ 230 231 ⇔ 235 236 ⇔ 240 241 ⇔ 245 246 ⇔ 250 251 ⇔ 255	Sin función R: 100% G: 0–100% B: 0% R: 100–0% G: 100% B: 0% R: 0% G: 100% B: 0–100% R: 0% G: 100–0% B: 100% R: 0–100% G: 0% B: 100% R: 100% G: 0% B: 100–0% R: 100% G: 0–100% B: 0–100% R: 100% G: 100–0% B: 100% R: 100% G: 100% B: 100% Ámbar oscuro Ámbar Ámbar claro Rosa oscuro Rosa Rosa claro Sin color rosa Sing color azul Azul claro Azul aciano Azul pálido claro
9	Temperatura de color	000 ⇔ 005 006 ⇔ 025 026 ⇔ 050 051 ⇔ 075 076 ⇔ 100 101 ⇔ 125 126 ⇔ 150 151 ⇔ 175 176 ⇔ 200 201 ⇔ 225 226 ⇔ 255	Sin función 2800K 3200K 3500K 4000K 4500K 5000K 5600K 6000K 6500K Sin función
10	Programas automáticos	000 ⇔ 010 011 ⇔ 037 038 ⇔ 064 065 ⇔ 091 092 ⇔ 118 119 ⇔ 145 146 ⇔ 172 173 ⇔ 199 200 ⇔ 226 227 ⇔ 255	Sin función Programa automático 1 Programa automático 2 Programa automático 3 Programa automático 4 Programa automático 5 (Programa automático 1–4) Programa automático 6 Programa automático 7 Programa automático 8 Programa automático 9 (Programa automático 6–8)
11	Velocidad de programa	000 ⇔ 255	Velocidad, lenta a rápida

Canal	Función	Valor	Porcentaje/Configuración
12	Velocidad atenuador	000 ⇔ 051	Ajuste de la velocidad del atenuador desde la pantalla
		052 ⇔ 101	Modo velocidad del atenuador desactivado
		102 ⇔ 152	Velocidad de atenuador 1 (rápida)
		153 ⇔ 203	Velocidad de atenuador 2
		204 ⇔ 255	Velocidad de atenuador 3 (lenta)
13	Cambio a rojo	000 ⇔ 010	Sin función
		011 ⇔ 127	Encendido
		128 ⇔ 255	Apagado

12 Ch

Canal	Función	Valor	Porcentaje/Configuración
1	Rojo 1	000 ⇔ 255	0–100%
2	Verde 1	000 ⇔ 255	0–100%
3	Azul 1	000 ⇔ 255	0–100%
4	Blanco 1	000 ⇔ 255	0–100%
5	Rojo 2	000 ⇔ 255	0–100%
6	Verde 2	000 ⇔ 255	0–100%
7	Azul 2	000 ⇔ 255	0–100%
8	Blanco 2	000 ⇔ 255	0–100%
9	Rojo 3	000 ⇔ 255	0–100%
10	Verde 3	000 ⇔ 255	0–100%
11	Azul 3	000 ⇔ 255	0–100%
12	Blanco 3	000 ⇔ 255	0–100%

8 Ch

Canal	Función	Valor	Porcentaje/Configuración
1	Atenuador	000 ⇔ 255	0–100%
2	Atenuador fino	000 ⇔ 255	0–100%
3	Rojo	000 ⇔ 255	0–100%
4	Verde	000 ⇔ 255	0–100%
5	Azul	000 ⇔ 255	0–100%
6	Blanco	000 ⇔ 255	0–100%
7	Estroboscopio	000 ⇔ 010	Sin función
		011 ⇔ 255	Estroboscopio, lento a rápido
8	Cambio a rojo	000 ⇔ 010	Sin función
		011 ⇔ 127	Encendido
		128 ⇔ 255	Apagado

4 Ch

Canal	Función	Valor	Porcentaje/Configuración
1	Rojo	000 ⇔ 255	0–100%
2	Verde	000 ⇔ 255	0–100%
3	Azul	000 ⇔ 255	0–100%
4	Blanco	000 ⇔ 255	0–100%

À Propos de ce Manuel

Le Manuel de Référence (MdR) WELL Panel reprend des informations de base sur ce produit notamment en matière de connexions, montage, options de menu et valeurs DMX. Téléchargez le manuel d'utilisation sur www.chauvetprofessional.com pour de plus amples informations.

Clause de Non-Responsabilité

Les informations et caractéristiques contenues dans ce manuel sont sujettes à changement sans préavis.

GARANTIE LIMITÉE

VEUILLEZ VISITER NOTRE SITE INTERNET POUR CONSULTER LES MODALITÉS D'ENREGISTREMENT DE LA GARANTIE ET LES CONDITIONS GÉNÉRALES COMPLÈTES.

Pour les clients aux États-Unis et au Mexique: www.chauvetlighting.com/warranty-registration.

Pour les clients du Royaume-Uni, de la République d'Irlande, de la Belgique, des Pays-Bas, du Luxembourg, de la France et de l'Allemagne: www.chauvetlighting.eu/warranty-registration.

Chauvet garantit que cet appareil est exempt de défauts de matériaux et de fabrication dans des conditions normales d'utilisation, pendant la période spécifiée dans la garantie limitée complète consultable sur notre site Internet et sous réserve des exclusions et limitations qui y sont énoncées. Cette garantie ne s'applique qu'à l'acheteur initial du produit et n'est pas transférable. Pour exercer les droits prévus par cette garantie, vous devez fournir une preuve d'achat sous la forme d'un reçu de vente original d'un revendeur autorisé qui indique le nom du produit et la date d'achat. IL N'EXISTE AUCUNE AUTRE GARANTIE EXPRESSE OU IMPLICITE. Cette garantie vous confère des droits légaux spécifique. Vous pouvez également bénéficier d'autres droits qui varient selon les états et les pays. Cette garantie n'est valable qu'aux États-Unis, au Royaume-Uni, en République d'Irlande, en Belgique, aux Pays-Bas, au Luxembourg, en France, en Allemagne et au Mexique. Pour connaître les conditions de garantie dans d'autres pays, veuillez consulter votre revendeur local.

Consignes de Sécurité

Ces consignes de sécurité contiennent des informations importantes en matière d'installation, d'utilisation et d'entretien.

- N'ouvrez PAS ce produit. Il ne contient aucun composant susceptible d'être réparé par l'utilisateur.
- Ne regardez PAS la source lumineuse lorsque le produit fonctionne.
- Durant les périodes de non-utilisation, pour éviter tout usure inutile et pour prolonger la durée de vie, déconnectez-entièrement l'appareil en le débranchant de l'alimentation électrique ou en coupant le disjoncteur.
- ATTENTION: Lorsque l'appareil est transféré d'un environnement à température extrême à un autre (par exemple d'un camion froid vers une salle de bal chaude et humide), de la condensation peut se former sur les composants électriques internes. Pour éviter de causer des dommages, laissez l'appareil s'acclimater entièrement au milieu environnant avant de le mettre sous tension.
- ATTENTION: le boîtier de ce produit est brûlant lors du fonctionnement.
- Montez toujours ce produit dans un endroit bien ventilé, à au moins, 20 pouces (50 cm) des surfaces adjacentes.
- Ne laissez AUCUNE source inflammable dans un rayon de 50 cm du produit lorsque celui-ci fonctionne.
- Utilisez TOUJOURS un câble de sécurité lorsque vous montez ce produit en hauteur.
- N'immergez PAS ce produit (IP 65). Un usage normal en extérieur est autorisé.
- N'utilisez PAS ce produit si le boîtier, les lentilles ou les câbles vous semblent endommagés.
- Ne connectez PAS ce produit ni à un gradateur ni à un rhéostat.
- Connectez UNIQUEMENT ce produit à un circuit protégé et relié à la terre.
- Transportez/Suspendez ce produit UNIQUEMENT au moyen de la poignée ou lyre de suspension dont il est doté.
- La température ambiante maximale supportée par ce produit est de 113 °F (45 °C). Ne le faites pas fonctionner à des températures plus élevées.
- La température de démarrage minimale est de -20°C (-4°F). Ne pas démarrer l'appareil à des températures plus basses.
- La température ambiante minimale est de -30°C (-22°F). Ne pas utiliser l'appareil à des températures plus basses.
- En cas de sérieux problèmes de fonctionnement, arrêtez le système immédiatement.

Conformité FCC

Cet appareil est conforme à la partie 15, sous-partie B du règlement de la FCC. L'utilisation est soumise aux deux conditions suivantes :

1. Cet appareil ne doit pas causer d'interférences nuisibles, et
2. Cet appareil doit accepter toutes les interférences reçues, y compris celles pouvant entraîner un fonctionnement indésirable.

Tout changement ou modification non expressément approuvé par l'autorité responsable de la conformité pourrait annuler le droit de l'utilisateur à utiliser l'équipement.

Avertissement à l'exposition aux fréquences radio pour l'Amérique du Nord et l'Australie

Attention ! Cet équipement est conforme aux limites de la FCC d'exposition aux radiations définies pour un environnement non contrôlé. Cet équipement doit être installé et utilisé à une distance minimale de 20 cm entre le radiateur et votre corps. Cet émetteur ne doit pas être installé ou fonctionner conjointement avec une autre antenne ou un autre émetteur.

Contact

En dehors des États-Unis, du Royaume-Uni et de l'Irlande, du Benelux, de la France, de l'Allemagne, ou du Mexique contactez votre fournisseur si vous avez besoin d'assistance ou de retourner votre produit. Consultez le site www.chauvetprofessional.com pour trouver nos coordonnées.

Ce qui est inclus

- WELL Panel
- Un cordon d'alimentation Seetronic Powerkon IP65
- Lentille de filtre de mélange de couleurs
- Fixations Omega avec matériel de montage
- Un Manuel de Référence

Alimentation CA

Ce produit est doté d'une alimentation universelle prenant en charge toute tension d'entrée comprise entre 100 et 240 VCA, 50/60 Hz.

Prise CA

Connexion	Câble (États-Unis)	Câble (Europe)	Couleur de la Vis
Conducteur CA	Noir	Marron	Jaune/Cuivré
Neutre CA	Blanc	Bleu	Argenté
Terre CA	Vert/Jaune	Vert/Jaune	Vert



Durant les périodes de non-utilisation, pour éviter toute usure inutile et pour prolonger la durée de vie, déconnectez-entièrement l'appareil en le débranchant de l'alimentation électrique ou en coupant le disjoncteur.

Remarques sur le chargement de la batterie

Cet appareil est équipé d'une batterie lithium-ion rechargeable intégrée

- Évitez de décharger la batterie en dessous de 10%.
- Pour des résultats optimaux, chargez la batterie à une température comprise entre 0 °C (32 °F) et 35 °C (95 °F).
- Lorsque vous chargez la batterie, gardez l'appareil à au moins 1 m de toute flamme nue ou plaque chaude.
- Si la batterie est complètement déchargée, l'appareil ne peut pas être mis en marche immédiatement lorsque le chargeur est connecté. Laissez une batterie déchargée se charger pendant quelques minutes avant d'allumer l'appareil.
- L'appareil peut chauffer pendant la charge. Ceci est normal et ne devrait pas affecter la durée de vie ou les performances de l'appareil. Le chargeur peut s'arrêter de charger si la batterie devient plus chaude que d'habitude.
- Laissez le couvercle de la valise de transport ouvert lors du chargement de la batterie.
- Lors du chargement de la batterie, assurez-vous que l'appareil soit toujours en position verticale.
- Ne rechargez pas la batterie pendant plus de 24 heures

Remarques sur l'entreposage

- Entrez le(s) appareil(s) chargé(s) dans un environnement sec, à l'abri du soleil direct.
- Chargez ou déchargez la batterie à environ 50% de sa capacité avant de l'entreposer.
- Les batteries au lithium-ion continuent de se décharger lentement (autodécharge) lorsqu'elles ne sont pas utilisées ou lorsqu'elles sont entreposées. Vérifiez régulièrement l'état de charge de la batterie.
- Conservez la batterie à une température comprise entre 5°C et 20°C (41°F et 68°F).
- Toujours ranger le produit en position verticale (inclinaison ≤ 10°)...



ATTENTION: Le bouton d'alimentation doit être sur la position éteint avant de placer l'appareil dans la valise de recharge.

Raccordement DMX

Le WELL Panel fonctionnera avec un jeu d'orgues DMX au moyen de connexions DMX en série standard ou au moyen de connexions DMX sans fil. Une introduction au DMX est à votre disposition sur www.chauvetprofessional.com.

Connexion DMX

Le WELL Panel utilise une connexion de données DMX standard ou sans fil pour ses personnalités DMX: **4Ch**, **8Ch**, **12Ch**, **13Ch**, et **21Ch**. Consultez le manuel d'utilisation pour connecter et configurer le système DMX.

Connexion Maître/Esclave

Le WELL Panel utilise une connexion de données DMX pour son mode Maître/Esclave. Consultez le Manuel d'Utilisation pour connecter et configurer le mode de fonctionnement Maître/Esclave.

Fonctionnement sans fil

Dans des conditions optimales, le WELL Panel peut fonctionner jusqu'à une distance de 300 m (900 ft) de l'émetteur W-DMX. Le récepteur W-DMX de le WELL Panel doit être couplé avec l'émetteur W-DMX pour un fonctionnement sans fil.

Configuration initiale

1. Allumez l'émetteur W-DMX.
2. Connectez l'émetteur W-DMX au contrôleur DMX.
3. Placez le WELL Panel à moins de 300 m de l'émetteur W-DMX.
4. Debranchez tous les câbles DMX branchés sur le WELL Panel.
5. Allumez le WELL Panel.

Configuration

1. A partir du panneau de commande du WELL Panel allez sur le menu **DMX Address**.
2. Sélectionnez l'adresse de départ comme avec tout autre appareil compatible DMX.
3. Allez sur le menu **Wireless Setting > Receive On/Off**.
4. Sélectionnez **On**. (L'indicateur d'intensité du signal affiche un ? devant les barres.)
5. Appuyez sur le bouton de réinitialisation de l'émetteur W-DMX. (L'indicateur d'intensité du signal du WELL Panel affiche un sigle **⚡** devant les barres pendant 3 secondes pendant l'établissement de la connexion.)

Appairage de l'appareil

Si le WELL Panel a déjà été appairé avec l'émetteur W-DMX, l'indicateur d'intensité du signal situé au milieu de l'écran OLED affiche la force du signal. Dans ce cas, le WELL Panel est prêt à fonctionner en mode sans fil.

1. A partir du panneau de commande du WELL Panel, allez au menu **Wireless Setting**.
2. Sélectionnez **Receive Reset**. L'indicateur d'intensité du signal du WELL Panel affiche un ? devant les barres.
3. Sur l'émetteur W-DMX, appuyez sur **<RESET>** (l'indicateur de signal de l'émetteur clignote).
4. Lorsque l'émetteur trouve le WELL Panel, l'indicateur de signal de l'émetteur W-DMX reste allumé.
5. L'indicateur d'intensité du signal situé au milieu de l'écran OLED sur le WELL Panel affiche alors la force du signal.



Le fonctionnement W-DMX peut être interrompu ou inhibé par des masses de liquides entre l'émetteur et le récepteur, comme par exemple de l'eau, de la neige ou des personnes. Pour de meilleurs résultats, assurez-vous que la zone située entre l'émetteur et le récepteur soit exempte de toute masse liquide.

RDM (Gestion des périphériques à distance)

Le protocole RDM (gestion des périphériques à distance) est un standard pour la communication bidirectionnelle des appareils dotés de fonctions DMX dans un câblage DMX existant. Le WELL Panel supporte le protocole RDM permettant un retour d'information pour la surveillance de la température et des changements des options de menu **DMX Address**, **DMX Channel**, **Dimmer Mode** et **LED Frequency**. Veuillez télécharger le manuel de l'utilisateur à partir du site internet www.chauvetprofessional.com pour plus de détails.

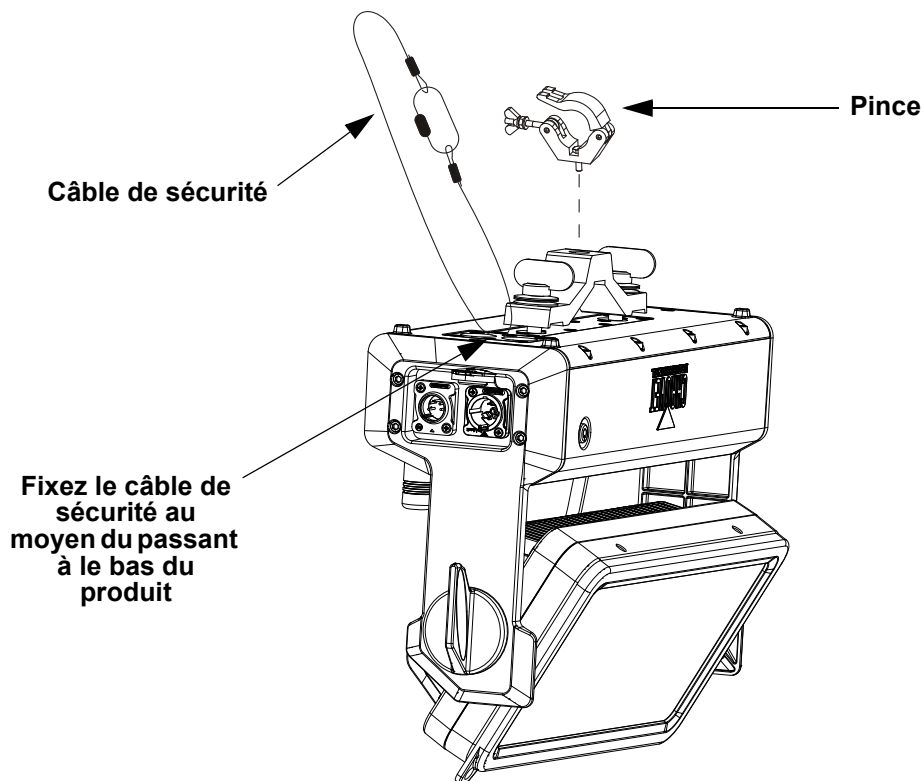
Lentille de filtre de mélange du couleurs

La lentille de filtre de mélange du couleurs produit une lumière parfaitement uniforme et douce sur les bords. La lentille de filtre de mélange du couleurs se fixe très facilement grâce aux aimants intégrés.

Installation

Avant de monter cet appareil, lisez et assimilez les [Consignes de Sécurité](#). Utilisez au moins un point de fixation par appareil. Veillez à ce que les fixations sont capables de supporter le poids de l'unité. Découvrez notre gamme de fixations Chauvet sur <http://trusst.com/products>.

Schéma de Montage de l'appareil



Gamme des températures de couleur

Valeurs DMX	Affichage à l'Écran
000 ⇔ 005	--
006 ⇔ 025	2800K
026 ⇔ 050	3200K
051 ⇔ 075	3500K
076 ⇔ 100	4000K
101 ⇔ 125	4500K
126 ⇔ 150	5000K
151 ⇔ 175	5600K
176 ⇔ 200	6000K
201 ⇔ 225	6500K
226 ⇔ 255	--



Les températures de couleur ci-dessus sont des rendus simulés de la sortie de couleur effectivement générée par comparaison avec une lampe tungstène à la température de couleur spécifiée. Chauvet ne donne aucune garantie sur la précision de la sortie de couleur.

Description du Tableau de Commandes

Bouton	Fonction
<MODE>	Permet la sortie du menu ou de la fonction en cours
<ENTER>	Permet l'affichage du menu en cours ou permet de configurer la valeur en cours dans la fonction sélectionnée
<UP>	Permet de parcourir les listes de menu vers le haut, dans une fonction permet d'augmenter les valeurs numériques
<DOWN>	Permet de parcourir les listes de menu vers le bas, dans une fonction permet de diminuer les valeurs numériques

Tableau de Menu

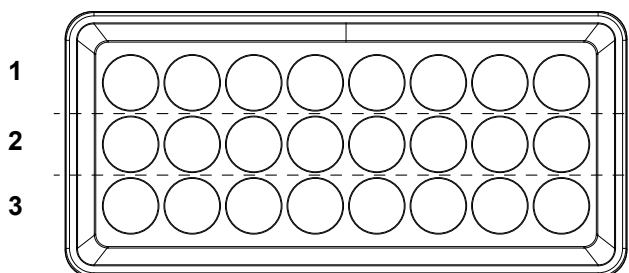
Reportez-vous à la page du produit WELL Panel sur www.chauvetprofessional.com pour la dernière carte des menu.

Niveau Principal	Niveaux de Programmation		Description	
DMX Address	001–509		Permet de sélectionner l'adresse de démarrage (le canal le plus élevé est restreint à la personnalité choisie)	
DMX Channel	4 Ch		4-canaux: RGBW	
	8 Ch		8-canaux: Gradation 16-bit, RGBW, stroboscope, passe au rouge	
	12 Ch		12-canaux: RGBW à 3 zones	
	13 Ch		13-canaux: Gradation 16-bit, RGBW, stroboscope, macro de couleur, température de couleur, programmes, vitesse, mode gradation, passe au rouge	
	21 Ch		21-canaux: Gradation 16-bit, RGBW à 3 zones, stroboscope, macro de couleur, température de couleur, programmes, vitesse, mode gradation, passe au rouge	
Static	Fixed Color	R	Rouge	
		G	Vert	
		B	Bleu	
		W	Blanc	
		GB	Vert et bleu	
		RB	Rouge et bleu	
		RG	Rouge et vert	
		RGB	Rouge, vert et bleu	
		RW	Rouge et blanc	
		GW	Vert et blanc	
		BW	Bleu et blanc	
		RGW	Rouge, vert et blanc	
		RBW	Rouge, bleu et blanc	
	GBW	Vert, bleu et blanc		
	RGBW	Rouge, vert, bleu et blanc		
	Color Temperature	2800K	000–255	Températures de couleur de blanc prédéfinies. Simule une lampe tungstène à la température de couleur spécifiée.
		3200K		
		3500K		
		4000K		
		4500K		
5000K				
5600K				
6000K				
Manual Color Mixer	Red	000–255	Combine les couleurs rouge, vert, bleu et blanc pour un résultat personnalisé (0–100%)	
	Green			
	Blue			
	White			
Auto Show	Auto 1–9	001–100	Sélectionne les programmes automatiques et vitesse	
Red Shift	On		Active ou désactive la fonction passe au rouge (les LED ambre imitent une lampe lors de la gradation)	
	Off			
Master/Slave	Master		Mode DMX (Maître)	
	Slave		Mode esclave	
Dimmer Mode	Off		Gradateur linéaire	
	Dimmer 1–3		Courbes de gradation rapide (Dimmer 1) à lent (Dimmer 3)	

Niveau Principal	Niveaux de Programmation		Description	
Dimmer Curve	Linear		Assombrissement linéaire	
	Square		Courbe d'assombrissement en escalier	
	I Squa		Courbe d'assombrissement en escalier inverse	
	Scurve		Courbe d'assombrissement en S	
White Balance	Off		Utilise le paramétrage de blanc défini en usine	
	Manual	Red	125–255	Définit la valeur maximale de LED rouge
		Green		Définit la valeur maximale de LED verte
		Blue		Définit la valeur maximale de LED bleue
		White		Définit la valeur maximale de LED blanche
LED Frequency	600Hz		Permet de sélectionner la fréquence de sortie MLI	
	1200Hz			
	2000Hz			
	4000Hz			
	6000Hz			
	25KHz			
Wireless Setting	Receive On/Off	On	Permet d'activer/désactiver la fonction DMX sans fil	
		Off		
	Receive Reset	No	Permet de réinitialiser le paramétrage sans fil	
		Yes		
Line Voltage Power Loss Mode	Stay In State		En cas de coupure de courant, la programmation de l'appareil continuera à fonctionner sur batterie (par défaut) Après 5 secondes de coupure de courant, les LEDs s'éteignent progressivement en 10 secondes (retour au fonctionnement normal lorsque le courant est rétabli)	
	All At Full		Après 5 secondes de coupure de courant, toutes les LEDs s'allument à pleine puissance (retour au fonctionnement normal lorsque le courant est rétabli)	
	Dim Out		Après 5 secondes de coupure de courant, les LEDs s'éteignent progressivement en 10 secondes (retour au fonctionnement normal lorsque le courant est rétabli)	
Run Time	Off		Intensité maximale, limitant l'autonomie de la batterie	
	3 Hours		Intensité réduite, limitant l'autonomie de la batterie à 3 heures	
	5 Hours		Intensité réduite, limitant l'autonomie de la batterie à 5 heures	
	8 Hours		Intensité réduite, limitant l'autonomie de la batterie à 8 heures	
	12 Hours		Allonge la batterie jusqu'à la durée maximale de 12 heures	
Back Light	10S		Désactive l'affichage rétro-éclairage après 10 secondes d'inactivité	
	30S		Désactive l'affichage rétro-éclairage après 30 secondes d'inactivité	
	2Min		Désactive l'affichage rétro-éclairage après 2 minutes d'inactivité	
	Always On		Affichage rétro-éclairage toujours active	
Key Lock	On		Verrouillage de l'affichage (le mot de passe et <UP>, <DOWN>, <UP>, <DOWN>, <ENTER>)	
	Off			
Information	Fixture Hours	<_ _ _ _H>	Affiche le nombre total des heures du produit	
	Version	<V _ _>	Affiche la version du logiciel installée	
	UID	<_ _ _ _ _>	Affiche UID actuel	
Reset Factory	No		Permet de réinitialiser aux valeurs par défaut d'usine	
	Yes			

Valeurs DMX

Zones pour le contrôle DMX



21 Ch

Canal	Fonction	Valeur	Pourcentage/Configuration
1	Gradateur	000 ⇔ 255	0-100%
2	Gradateur fin	000 ⇔ 255	0-100%
3	Rouge 1	000 ⇔ 255	0-100%
4	Vert 1	000 ⇔ 255	0-100%
5	Bleu 1	000 ⇔ 255	0-100%
6	Blanc 1	000 ⇔ 255	0-100%
7	Rouge 2	000 ⇔ 255	0-100%
8	Vert 2	000 ⇔ 255	0-100%
9	Bleu 2	000 ⇔ 255	0-100%
10	Blanc 2	000 ⇔ 255	0-100%
11	Rouge 3	000 ⇔ 255	0-100%
12	Vert 3	000 ⇔ 255	0-100%
13	Bleu 3	000 ⇔ 255	0-100%
14	Blanc 3	000 ⇔ 255	0-100%
15	Stroboscope	000 ⇔ 010	Pas de fonction
		011 ⇔ 255	Stroboscope, lent à rapide
16	Macros de couleurs	000 ⇔ 010	Pas de fonction
		011 ⇔ 030	R: 100% G: 0-100% B: 0%
		031 ⇔ 050	R: 100-0% G: 100% B: 0%
		051 ⇔ 070	R: 0% G: 100% B: 0-100%
		071 ⇔ 090	R: 0% G: 100-0% B: 100%
		091 ⇔ 110	R: 0-100% G: 0% B: 100%
		111 ⇔ 130	R: 100% G: 0% B: 100-0%
		131 ⇔ 150	R: 100% G: 0-100% B: 0-100%
		151 ⇔ 170	R: 100% G: 100-0% B: 100%
		171 ⇔ 200	R: 100% G: 100% B: 100%
		201 ⇔ 205	Ambre foncé
		206 ⇔ 210	Ambre
		211 ⇔ 215	Ambre clair
		216 ⇔ 220	Rose foncé
		221 ⇔ 225	Rose
		226 ⇔ 230	Rose clair
231 ⇔ 235	Pas de couleur rose		
236 ⇔ 240	Pas de couleur bleu		
241 ⇔ 245	Bleu clair		
246 ⇔ 250	Bleu barbeau		
251 ⇔ 255	Bleu pâle clair		

Canal	Fonction	Valeur	Pourcentage/Configuration
17	Température de la Couleur	000 ⇔ 005	Pas de fonction
		006 ⇔ 025	2800K
		026 ⇔ 050	3200K
		051 ⇔ 075	3500K
		076 ⇔ 100	4000K
		101 ⇔ 125	4500K
		126 ⇔ 150	5000K
		151 ⇔ 175	5600K
		176 ⇔ 200	6000K
		201 ⇔ 225	6500K
		226 ⇔ 255	Pas de fonction
18	Programmes automatiques	000 ⇔ 010	Pas de fonction
		011 ⇔ 037	Programme automatique 1
		038 ⇔ 064	Programme automatique 2
		065 ⇔ 091	Programme automatique 3
		092 ⇔ 118	Programme automatique 4
		119 ⇔ 145	Programme automatique 5 (Programme 1–4)
		146 ⇔ 172	Programme automatique 6
		173 ⇔ 199	Programme automatique 7
		200 ⇔ 226	Programme automatique 8
		227 ⇔ 255	Programme automatique 9 (Programme 6–8)
19	Vitesse du programme	000 ⇔ 255	Vitesse du programme, lente à rapide
20	Mode de gradation	000 ⇔ 051	Préréglage de vitesse d'assombrissement à partir du menu affichage
		052 ⇔ 101	Arrêt du mode de vitesse d'assombrissement
		102 ⇔ 152	Mode 1 de vitesse d'assombrissement (rapide)
		153 ⇔ 203	Mode 2 de vitesse d'assombrissement
		204 ⇔ 255	Mode 3 de vitesse d'assombrissement (lente)
21	Passe au rouge	000 ⇔ 010	Pas de fonction
		011 ⇔ 127	Activer
		128 ⇔ 255	Désactiver

13 Ch

Canal	Fonction	Valeur	Pourcentage/Configuration
1	Gradateur	000 ⇔ 255	0–100%
2	Gradateur fin	000 ⇔ 255	0–100%
3	Rouge	000 ⇔ 255	0–100%
4	Vert	000 ⇔ 255	0–100%
5	Bleu	000 ⇔ 255	0–100%
6	Blanc	000 ⇔ 255	0–100%
7	Stroboscope	000 ⇔ 010	Pas de fonction
		011 ⇔ 255	Stroboscope, lent à rapide

Canal	Fonction	Valeur	Pourcentage/Configuration
8	Macros de couleurs	000 ⇔ 010	Pas de fonction
		011 ⇔ 030	R: 100% G: 0–100% B: 0%
		031 ⇔ 050	R: 100–0% G: 100% B: 0%
		051 ⇔ 070	R: 0% G: 100% B: 0–100%
		071 ⇔ 090	R: 0% G: 100–0% B: 100%
		091 ⇔ 110	R: 0–100% G: 0% B: 100%
		111 ⇔ 130	R: 100% G: 0% B: 100–0%
		131 ⇔ 150	R: 100% G: 0–100% B: 0–100%
		151 ⇔ 170	R: 100% G: 100–0% B: 100%
		171 ⇔ 200	R: 100% G: 100% B: 100%
		201 ⇔ 205	Ambre foncé
		206 ⇔ 210	Ambre
		211 ⇔ 215	Ambre clair
		216 ⇔ 220	Rose foncé
		221 ⇔ 225	Rose
		226 ⇔ 230	Rose clair
		231 ⇔ 235	Pas de couleur rose
		236 ⇔ 240	Pas de couleur bleu
		241 ⇔ 245	Bleu clair
		246 ⇔ 250	Bleu barbeau
251 ⇔ 255	Bleu pâle clair		
9	Température de la Couleur	000 ⇔ 005	Pas de fonction
		006 ⇔ 025	2800K
		026 ⇔ 050	3200K
		051 ⇔ 075	3500K
		076 ⇔ 100	4000K
		101 ⇔ 125	4500K
		126 ⇔ 150	5000K
		151 ⇔ 175	5600K
		176 ⇔ 200	6000K
		201 ⇔ 225	6500K
		226 ⇔ 255	Pas de fonction
10	Programmes automatiques	000 ⇔ 010	Pas de fonction
		011 ⇔ 037	Programme automatique 1
		038 ⇔ 064	Programme automatique 2
		065 ⇔ 091	Programme automatique 3
		092 ⇔ 118	Programme automatique 4
		119 ⇔ 145	Programme automatique 5 (Programme 1–4)
		146 ⇔ 172	Programme automatique 6
		173 ⇔ 199	Programme automatique 7
		200 ⇔ 226	Programme automatique 8
		227 ⇔ 255	Programme automatique 9 (Programme 6–8)
11	Vitesse du programme	000 ⇔ 255	Vitesse du programme, lente à rapide
12	Mode de gradation	000 ⇔ 051	Préréglage de vitesse d'assombrissement à partir du menu affichage
		052 ⇔ 101	Arrêt du mode de vitesse d'assombrissement
		102 ⇔ 152	Mode 1 de vitesse d'assombrissement (rapide)
		153 ⇔ 203	Mode 2 de vitesse d'assombrissement
		204 ⇔ 255	Mode 3 de vitesse d'assombrissement (lente)

Canal	Fonction	Valeur	Pourcentage/Configuration
13	Passe au rouge	000 ⇔ 010	Pas de fonction
		011 ⇔ 127	Activer
		128 ⇔ 255	Désactiver

12 Ch

Canal	Fonction	Valeur	Pourcentage/Configuration
1	Rouge 1	000 ⇔ 255	0–100%
2	Vert 1	000 ⇔ 255	0–100%
3	Bleu 1	000 ⇔ 255	0–100%
4	Blanc 1	000 ⇔ 255	0–100%
5	Rouge 2	000 ⇔ 255	0–100%
6	Vert 2	000 ⇔ 255	0–100%
7	Bleu 2	000 ⇔ 255	0–100%
8	Blanc 2	000 ⇔ 255	0–100%
9	Rouge 3	000 ⇔ 255	0–100%
10	Vert 3	000 ⇔ 255	0–100%
11	Bleu 3	000 ⇔ 255	0–100%
12	Blanc 3	000 ⇔ 255	0–100%

8 Ch

Canal	Fonction	Valeur	Pourcentage/Configuration
1	Gradateur	000 ⇔ 255	0–100%
2	Gradateur fin	000 ⇔ 255	0–100%
3	Rouge	000 ⇔ 255	0–100%
4	Vert	000 ⇔ 255	0–100%
5	Bleu	000 ⇔ 255	0–100%
6	Blanc	000 ⇔ 255	0–100%
7	Stroboscope	000 ⇔ 010	Pas de fonction
		011 ⇔ 255	Stroboscope, lent à rapide
8	Passe au rouge	000 ⇔ 010	Pas de fonction
		011 ⇔ 127	Activer
		128 ⇔ 255	Désactiver

4 Ch

Canal	Fonction	Valeur	Pourcentage/Configuration
1	Rouge	000 ⇔ 255	0–100%
2	Vert	000 ⇔ 255	0–100%
3	Bleu	000 ⇔ 255	0–100%
4	Blanc	000 ⇔ 255	0–100%

Über diese Schnellanleitung

In der Schnellanleitung des WELL Panel finden Sie die wesentlichen Produktinformationen, wie etwa über den Anschluss, die Montage, Menüoptionen und DMX-Werte des Geräts. Laden Sie für weiterführende Informationen unter www.chauvetprofessional.com das Benutzerhandbuch herunter.

Haftungsausschluss

Die in dieser Anleitung aufgeführten Informationen und Spezifikationen können ohne vorherige Ankündigung geändert werden.

EINGESCHRÄNKTE GARANTIE

ZUR REGISTRIERUNG FÜR GARANTIEANSPRÜCHE UND ZUR EINSICHT IN DIE VOLLSTÄNDIGEN GESCHÄFTSBEDINGUNGEN BESUCHEN SIE BITTE UNSERE WEBSITE.

Für Kunden in den USA und in Mexiko: www.chauvetlighting.com/warranty-registration.

Für Kunden im Vereinigten Königreich, in Irland, Belgien, den Niederlanden, Luxemburg, Frankreich und Deutschland: www.chauvetlighting.eu/warranty-registration.

Chauvet garantiert für die in der auf unserer Website veröffentlichten vollständigen eingeschränkten Garantie genannten Dauer und unter Vorbehalt der darin genannten Haftungsausschlüsse und -beschränkungen, dass dieses Produkt bei normalen Gebrauch frei von Material- und Verarbeitungsfehlern ist. Diese Garantie erstreckt sich nur auf den Erstkäufer des Produkts und ist nicht übertragbar. Zur Ausübung der unter dieser Garantie gewährten Rechte ist der Kaufbeleg in Form der Originalrechnung von einem autorisierten Händler vorzulegen, in der die Produktbezeichnung und das Kaufdatum vermerkt sein müssen. ES BESTEHEN KEINE WEITEREN AUSDRÜCKLICHEN ODER STILLSCHWEIGENDEN GARANTIEEN. Diese Garantie gibt Ihnen besondere gesetzliche Rechte. Und Sie haben möglicherweise weitere Rechte, die von Land zu Land unterschiedlich sein können. Diese Garantie ist nur in den USA, im Vereinigten Königreich, in Irland, Belgien, den Niederlanden, Luxemburg, Frankreich, Deutschland und Mexiko gültig. Bezüglich der Garantiebestimmungen in anderen Ländern wenden Sie sich bitte an Ihren lokalen Händler.

Sicherheitshinweise

Diese Sicherheitshinweise enthalten wichtige Informationen über die Montage, Verwendung und Wartung des Geräts.

- Dieses Gerät NICHT öffnen. Die eingebauten Komponenten sind für den Kunden wartungsfrei.
- NIEMALS in die Lichtquelle schauen, während das Gerät eingeschaltet ist.
- Um unnötigen Verschleiß zu vermeiden und die Lebensdauer des Geräts zu verlängern, trennen Sie während längerer Perioden des Nichtgebrauchs das Gerät vom Stromnetz – entweder per Trennschalter oder durch Herausziehen des Steckers aus der Steckdose.
- VORSICHT: Beim Transport des Geräts von einer Umgebung mit außergewöhnlichen Temperaturen in eine andere solche Umgebung (z. B. aus einem kalten Transporter in einen warm-feuchten Ballsaal) kann an der im Gerät enthaltenen Elektronik Wasser kondensieren. Um einen Defekt zu vermeiden, muss sich das Gerät erst in der neuen Umgebung akklimatisiert haben, bevor es an die Stromversorgung angeschlossen werden kann.
- VORSICHT: Das Gehäuse dieses Produkts kann während des Betriebs heiß werden.
- Installieren Sie das Gerät an einem Ort mit ausreichender Belüftung und mit einem Abstand von mindestens 50 cm zu den angrenzenden Flächen.
- Belassen Sie KEINE entflammaren Materialien in einem Umkreis von 50 cm dieses Geräts, während es in Betrieb oder an der Stromversorgung angeschlossen ist.
- VERWENDEN Sie bei Montage über Kopf immer ein Sicherheitsseil.
- Dieses Gerät darf NICHT in Wasser eingetaucht werden (IP65). Eine regelmäßige Verwendung dieses Geräts im Freien ist möglich.
- NIEMALS das Gerät in Betrieb nehmen, wenn Ihnen das Gehäuse, die Linsen oder das Kabel beschädigt erscheinen.
- Schließen Sie dieses Gerät NICHT an einen Dimmer oder Regelwiderstand an.
- Schließen Sie dieses Produkt NUR an einen mit der Erde verbundenen und geschützten Stromkreis an.
- Die maximal zulässige Umgebungstemperatur beträgt 45 °C. Nehmen Sie das Gerät nicht bei höheren Temperaturen in Betrieb.
- Die zulässige Mindesttemperatur für den Start beträgt -20 °C. Starten Sie das Gerät nicht bei niedrigeren Temperaturen.
- Die minimal zulässige Umgebungstemperatur beträgt -30 °C. Nehmen Sie das Gerät nicht bei niedrigeren Temperaturen in Betrieb.
- Bei ernsthaften Betriebsproblemen stoppen Sie umgehend die Verwendung des Geräts.

FCC-Konformität

Dieses Gerät erfüllt Teil 15, Teil B, der FCC-Bestimmungen. Der Betrieb ist an folgende zwei Bedingungen geknüpft:

1. Dieses Gerät darf keine schädlichen Interferenzen verursachen, und
2. Dieses Gerät muss empfangende Interferenzen aufnehmen können, auch Interferenzen, die eventuell einen unerwünschten Betrieb verursachen.

Jegliche Änderungen oder Modifikationen, die nicht ausdrücklich von der Partei genehmigt wurden, die für die Compliance zuständig ist, könnten die Berechtigung des Benutzers zum Betrieb dieses Geräts aufheben.

Warnung vor Exposition gegenüber HF für Nordamerika und Australien

Warnung! Dieses Gerät entspricht den FCC-Grenzwerten für Strahlenbelastung, die für eine nicht kontrollierte Umgebung festgelegt wurden. Dieses Gerät sollte so installiert und in Betrieb gesetzt werden, dass ein Mindestabstand von 20 cm zwischen dem Gerät und Ihrem Körper gewährleistet ist. Der Sender darf nicht in der Nähe anderer Antennen oder Sender aufgestellt oder in Verbindung mit anderen Antennen oder Sendern betrieben werden.

Kontakt

Kunden außerhalb der USA, GB, Irland, Benelux, Frankreich, Deutschland oder der Mexiko-Staaten wenden sich an ihren Lieferanten, um den Kundensupport in Anspruch zu nehmen oder ein Produkt zurückzuschicken. Kontaktinformationen finden Sie unter www.chauvetprofessional.com.

Packungsinhalt

- WELL Panel
- Seetronic Powerkon IP65-Stromkabel
- Filterlinse zur Farbmischung
- Omega-Hängebügel mit Befestigungsmaterial
- Schnellanleitung

Wechselstrom

Dieses Gerät verfügt über ein Vorschaltgerät, das automatisch die anliegende Spannung erkennt und kann mit einer Eingangsspannung von 100~240 V AC, 50/60 Hz arbeiten.

Wechselstromstecker

Anschluss	Draht (USA)	Draht (Europa)	Schraubenfarbe
Stromführender AC-Leiter	Schwarz	Braun	Gelb/Messingfarben
AC-Neutralleiter	Weiß	Blau	Silber
AC-Erdungsleiter	Grün/Gelb	Grün/Gelb	Grün



Um unnötigen Verschleiß zu vermeiden und die Lebensdauer des Geräts zu verlängern, trennen Sie während längerer Perioden des Nichtgebrauchs das Gerät vom Stromnetz – entweder per Trennschalter oder durch Herausziehen des Steckers aus der Steckdose.

Hinweise zum Aufladen des Akkus

Dieses Gerät verfügt über einen eingebauten Lithium-Ionen-Akku.

- Vermeiden Sie, den Akku auf unter 10 % zu entladen.
- Um optimale Ergebnisse zu erreichen, laden Sie den Akku bei einer Temperatur zwischen 0 und 35 °C auf.
- Achten Sie beim Aufladen des Akkus auf einen Mindestabstand von 1 m von offenem Feuer oder heißen Gegenständen.
- Ist der Akku vollständig entladen, darf das Gerät nicht sofort eingeschaltet werden, wenn es an die Ladestation angeschlossen wird. Warten Sie einige Minuten, bis sich ein vollständig entladener Akku etwas aufgeladen hat, bevor Sie das Gerät einschalten.
- Während des Ladevorgangs kann sich das Gerät aufheizen. Das ist normal und sollte die Lebensdauer oder Leistungsfähigkeit des Geräts nicht beeinträchtigen. Wird der Akku ungewöhnlich warm, schaltet sich die Ladestation automatisch ab.
- Halten Sie beim Laden des Akkus den Deckel der Ladestation geöffnet.
- Beim Laden des Akkus sollte das Gerät immer in aufrechter Position sein.
- Laden Sie den Akku nicht länger als 24 Stunden auf

Hinweise zur Aufbewahrung

- Laden Sie das Gerät in einer trockenen Umgebung und ohne direkte Sonneneinstrahlung auf.
- Laden bzw. entladen Sie den Akku für die Lagerung auf ca. 50 % der Akkukapazität.
- Lithium-Ionen-Akkus entladen sich langsam (Selbstentladung), wenn sie nicht in Gebrauch sind oder aufbewahrt werden. Überprüfen Sie routinemäßig den Ladezustand des Akkus.
- Bewahren Sie den Akku bei Temperaturen zwischen 5 und 20 °C auf.
- Lagern Sie das Gerät immer in einer aufrechten Position (max. Neigung: 10 Grad).



VORSICHT: Der Geräteschalter muss ausgeschaltet sein, bevor das Gerät in die Ladestation gesteckt werden kann.

DMX-Verbindung

Der WELL Panel kann mit einem DMX-Controller betrieben werden, wenn eine 5-polige DMX-Datenverbindung oder eine drahtlose DMX-Verbindung zum Einsatz kommt. Sie können sich eine Einführung in DMX unter www.chauvetprofessional.com herunterladen.

DMX-Anschluss

Der WELL Panel nutzt zur Steuerung seiner DMX-Eigenschaften eine drahtlose DMX-Verbindung oder eine 5-polige DMX-Datenverbindung: **4Ch**, **8Ch**, **12Ch**, **13Ch**, und **21Ch**. Informationen zum Anschließen und Konfigurieren des Geräts für einen DMX-Betrieb finden Sie in der Bedienungsanleitung.

Master/Slave-Schaltung

Der WELL Panel verwendet für seinen Master/Slave-Modus eine DMX-Datenverbindung. Informationen zum Anschließen und Konfigurieren des Geräts für einen Master/Slave-Betrieb finden Sie in der Bedienungsanleitung.

Drahtloser Betrieb

Unter optimalen Bedingungen kann der WELL Panel in einer Entfernung von bis zu 300 m vom drahtlosen DMX-Sender betrieben werden. Der drahtlose DMX-Empfänger des WELL Panel muss mit dem drahtlosen DMX-Sender für den Drahtlos-Betrieb gekoppelt werden.

Ersteinrichtung

1. Schalten Sie den drahtlosen DMX-Sender ein.
2. Schließen Sie den drahtlosen DMX-Sender an einen DMX-Controller an.
3. Platzieren Sie den WELL Panel in einer Entfernung von maximal 300 m zum drahtlosen DMX-Sender.
4. Schalten Sie den WELL Panel ein.

Konfiguration

1. Rufen Sie auf dem Bedienfeld des WELL Panel **DMX Address** auf.
2. Wählen Sie wie bei jedem anderen DMX-kompatiblen Gerät die Startadresse aus.
3. Wählen Sie **Wireless Setting > Receive On/Off**.
4. Wählen Sie **On**. (Die Signalstärkeanzeige zeigt ein ? vor den Balken an.)
5. Drücken Sie auf die Reset-Taste auf dem drahtlosen DMX-Sender.
(Die Signalstärkeanzeige auf dem WELL Panel zeigt für 3 Sekunden, während eine Verbindung hergestellt wird, ein 4 in vor den Balken an.)

Geräte-Pairing

Wurde der WELL Panel bereits mit dem drahtlosen DMX-Sender gekoppelt, zeigt die Signalstärkeanzeige in der Mitte des OLED-Bildschirms die Stärke des Signals an. In diesem Fall ist der WELL Panel bereit für einen Betrieb im Drahtlos-Modus.

Koppeln des WELL Panel mit dem neuen drahtlosen DMX-Sender

1. Rufen Sie auf dem Bedienfeld des WELL Panel **Wireless Setting > Receive Reset** auf.
2. Wählen Sie **Yes**. Die Signalstärkeanzeige auf dem WELL Panel zeigt ein ? vor den Balken an.
3. Drücken Sie auf dem drahtlosen DMX-Sender auf **<RESET>** (Die Signalanzeige auf dem Sender blinkt).
4. Sobald der Sender den WELL Panel, gefunden hat, leuchtet die Signalanzeige auf dem drahtlosen DMX-Sender dauerhaft.
5. Die Signalstärkeanzeige in der Mitte des OLED-Bildschirms des WELL Panel zeigt die Stärke des Signals an.



Ein drahtloser DMX-Betrieb kann durch Flüssigkeiten o. Ä. zwischen Sender und Empfänger, wie etwa Wasser, Schnee oder Menschen, unterbrochen oder behindert werden. Für beste Ergebnisse sollte daher der Bereich zwischen Sender und Empfänger von Flüssigkeiten o. Ä. freigehalten werden.

RDM (Remote Device Management)

Remote Device Management bzw. RDM ist ein Standard, mit dem DMX-aktivierte Geräte bidirektional entlang bestehender DMX-Kabel kommunizieren können. Der WELL Panel unterstützt das RDM-Protokoll, über das Feedback zur Überwachung der Temperatur und zu Änderungen der Menüoptionen **DMX Address**, **DMX Channel**, **Dimmer Mode** und **LED Frequency** gegeben wird. Laden Sie für weiterführende Informationen unter www.chauvetprofessional.com das Benutzerhandbuch herunter.

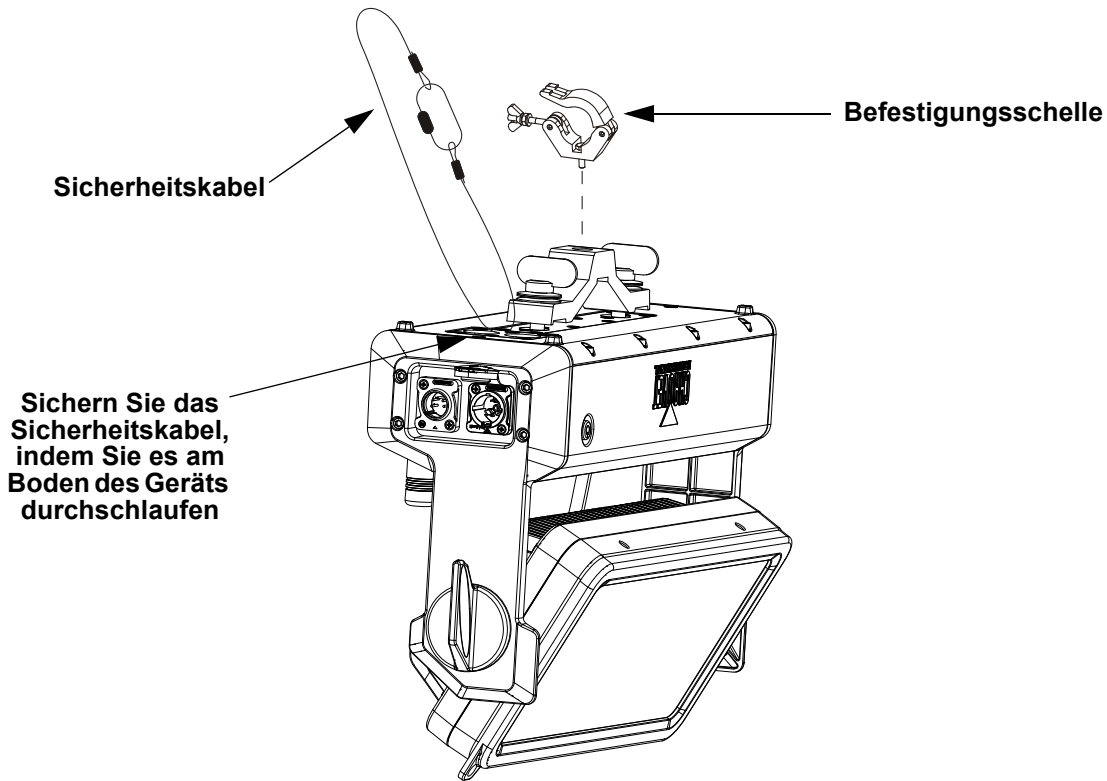
Filterlinse zur Farbmischung

Die Filterlinse zur Farbmischung erzeugt ein sehr gleichmäßiges Licht, das an den Kanten weich abfällt. Befestigen Sie die Filterlinse zur Farbmischung einfach mit den eingebauten Magneten.

Montage

Lesen Sie vor der Montage dieses Geräts die [Sicherheitshinweise](#) durch. Mindestens einen Befestigungspunkt pro Gerät verwenden. Stellen Sie sicher, dass die Befestigungsklemmen dafür ausgelegt sind, das Produktgewicht tragen zu können. Informationen zu unserer CHAUVET-Produktlinie für Befestigungsklemmen finden Sie unter <http://trusst.com/products>.

Montageansicht



Farbtemperatur-Tabelle

DMX-Wert	Anzeige auf Display
000 ⇔ 005	--
006 ⇔ 025	2800K
026 ⇔ 050	3200K
051 ⇔ 075	3500K
076 ⇔ 100	4000K
101 ⇔ 125	4500K
126 ⇔ 150	5000K
151 ⇔ 175	5600K
176 ⇔ 200	6000K
201 ⇔ 225	6500K
226 ⇔ 255	--



Die oben genannten Farbtemperaturen sind simulierte Ähnlichkeiten der Farbausgabe im Vergleich zu einer Wolframlampe mit spezifizierter Farbtemperatur. Chauvet gibt keine Gewährleistung bezüglich der Genauigkeit der Farbausgabe.

Beschreibung des Bedienfeldes

Taste	Funktion
<MODE>	Damit verlassen Sie das aktuelle Menü oder die Funktion
<ENTER>	Damit wird das aktuell angezeigte Menü aktiviert oder der aktuell ausgewählte Wert einer Funktion eingestellt
<UP>	Damit navigieren Sie sich durch die Menüpunkte nach oben und erhöhen den numerischen Wert der entsprechenden Funktion
<DOWN>	Damit navigieren Sie sich durch die Menüpunkte nach unten und verringern den numerischen Wert der entsprechenden Funktion

Menüstruktur

Die neueste Menükarte finden Sie auf der WELL Panel-produktseite unter www.chauvetprofessional.com.

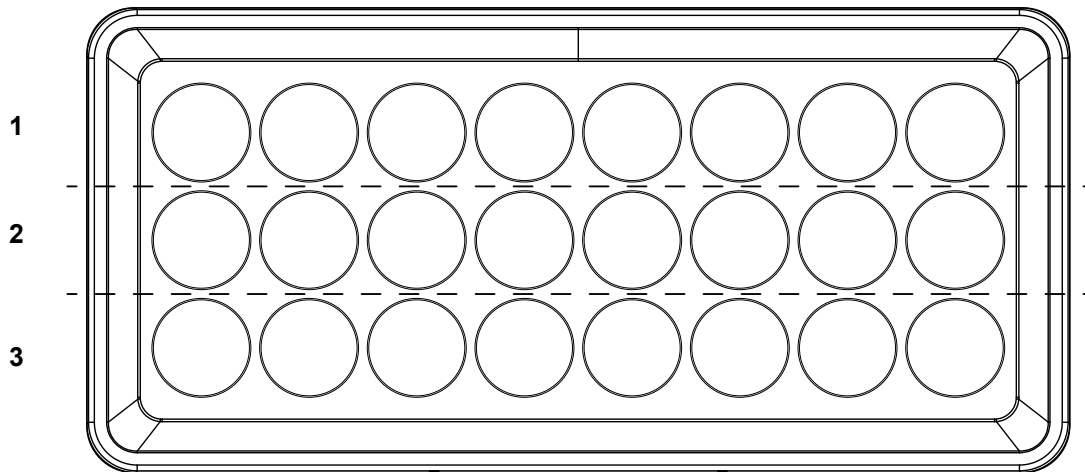
Hauptebene	Programmirebenen		Beschreibung	
DMX Address	001–509		Wählt die DMX-Adresse aus (der höchste Kanal ist auf die gewählte Eigenschaft beschränkt)	
DMX Channel	4 Ch		4-Kanal: RGBW	
	8 Ch		8-Kanal: 16-Bit-Dimmer, RGBW, Stroboskopeffekt, roter Übergang	
	12 Ch		12-Kanal: 3-Zonen-RGBW	
	13 Ch		13-Kanal: 16-Bit-Dimmer, RGBW, Stroboskopeffekt, Farbmakro, Farbtemperatur, Auto-Programm, Auto-Geschwindigkeit, Dimmer-Geschwindigkeit, roter Übergang	
	21 Ch		21-Kanal: 16-Bit-Dimmer, 3-Zonen-RGBW, Stroboskopeffekt, Farbmakro, Farbtemperatur, Auto-Programm, Auto-Geschwindigkeit, Dimmer-Geschwindigkeit, roter Übergang	
Static	Fixed Color	R	Rot	
		G	Grün	
		B	Blau	
		W	Weiß	
		GB	Grün und Blau	
		RB	Rot und Blau	
		RG	Rot und Grün	
		RGB	Rot, Grün und Blau	
		RW	Rot und Weiß	
		GW	Grün und Weiß	
		BW	Blau und Weiß	
		RGW	Rot, Grün und Weiß	
		RBW	Rot, Blau und Weiß	
		GBW	Grün, Blau und Weiß	
	RGBW	Rot, Grün, Blau und Weiß		
	Color Temperature	2800K	000–255	Voreinstellung der weißen Farbtemperaturen. Bildet eine Wolframlampe mit der spezifizierten Farbtemperatur ab.
		3200K		
		3500K		
		4000K		
		4500K		
		5000K		
5600K				
6000K				
Manual Color Mixer	Red	000–255	Kombiniert rote, grüne, blaue und weiße Farben zu einer benutzerdefinierten Farbe	
	Green			
	Blue			
	White			
Auto Show	Auto 1–9	001–100	Wählt das Auto-Programm und die Programm-Geschwindigkeit aus	
Red Shift	On		Schaltet die rote Umschaltung ein oder aus (gelbe LEDs imitieren beim Dimmen der Lampe)	
	Off			
Master/Slave	Master		DMX-Modus (Master)	
	Slave		Slave-Modus	

Hauptebene	Programmirebenen		Beschreibung	
Dimmer Mode	Off		Linearer Dimmer	
	Dimmer 1–3		Dimmungskurven Dimmer 1 (schnell) nach Dimmer 3 (langsam)	
Dimmer Curve	Linear		Liner Dimmer	
	Square		Quadratischer Kurvendimmer	
	I Squa		Umkehren Quadratischer Kurvendimmer	
	Scurve		S Kurvendimmer	
White Balance	Off		Verwendet die werksseitig voreingestellte Standardeinstellung "Weiß"	
	Manual	Red	125–255	Stellt den maximalen Wert der roten LED ein
		Green		Stellt den maximalen Wert der grünen LED ein
		Blue		Stellt den maximalen Wert der blauen LED ein
White		Stellt den maximalen Wert der weißen LED ein		
LED Frequency	600Hz		Stellt die PWM-Frequenz ein	
	1200Hz			
	2000Hz			
	4000Hz			
	6000Hz			
	25KHz			
Wireless Setting	Receive On/Off	On	Damit aktivieren/deaktivieren Sie drahtloses DMX	
		Off		
	Receive Reset	No	Damit stellen Sie den Drahtlos-Empfänger zurück	
		Yes		
Line Voltage Power Loss Mode	Stay In State		Wenn der Netzbetrieb ausgefallen ist, funktioniert das Gerät weiterhin wie zuvor programmiert, nun jedoch im Akkubetrieb (standardmäßig)	
	All At Full		5 Sekunden, nach Ausfall des Netzbetriebs gehen alle LEDs vollständig an (bei Wiederherstellung des Netzbetriebs erfolgt die Rückkehr in den Normalbetrieb)	
	Dim Out		5 Sekunden, nach Ausfall des Netzbetriebs werden die LEDs per 10-Sekunden-Übergang ins Schwarze gedimmt (bei Wiederherstellung des Netzbetriebs erfolgt die Rückkehr in den Normalbetrieb)	
Run Time	Off		Maximale Intensität, begrenzte Akkulaufzeit	
	3 Hours		Reduzierte Intensität, begrenzte Akkulaufzeit auf 3 Stunden	
	5 Hours		Reduzierte Intensität, begrenzte Akkulaufzeit auf 5 Stunden	
	8 Hours		Reduzierte Intensität, begrenzte Akkulaufzeit auf 8 Stunden	
	12 Hours		Verlängert den Akku auf die maximale Laufzeit von 12 Stunden	
Back Light	10S		Damit wird die Hintergrundbeleuchtung der Anzeige nach 10 Sekunden Inaktivität ausgeschaltet	
	30S		Damit wird die Hintergrundbeleuchtung der Anzeige nach 30 Sekunden Inaktivität ausgeschaltet	
	2Min		Damit wird die Hintergrundbeleuchtung der Anzeige nach 2 Minuten Inaktivität ausgeschaltet	
	Always On		Hintergrundbeleuchtung der Anzeige immer an	
Key Lock	On		Damit wird die Anzeige gesperrt (Kennwort lautet <UP>, <DOWN>, <UP>, <DOWN>, <ENTER>)	
	Off			
Information	Fixture Hours	<_ _ _ _ H>	Zeigt an, wie lange das Gerät eingeschaltet gewesen ist	
	Version	<V _ . _>	Zeigt die aktuelle Firmware-Version an	
	UID	<_ _ _ _ _>	Zeigt die Geräte-UID an	
Reset Factory	No		Damit stellen Sie das Gerät auf die Werkseinstellungen zurück	
	Yes			

DE

DMX Werte

Zonen für DMX-Steuerung



21 Ch

Kanal	Funktion	Wert	Prozent/Einstellung
1	Dimmer	000 ⇔ 255	0–100%
2	Dimmer fein	000 ⇔ 255	0–100%
3	Rot 1	000 ⇔ 255	0–100%
4	Grün 1	000 ⇔ 255	0–100%
5	Blau 1	000 ⇔ 255	0–100%
6	Weiß 1	000 ⇔ 255	0–100%
7	Rot 2	000 ⇔ 255	0–100%
8	Grün 2	000 ⇔ 255	0–100%
9	Blau 2	000 ⇔ 255	0–100%
10	Weiß 2	000 ⇔ 255	0–100%
11	Rot 3	000 ⇔ 255	0–100%
12	Grün 3	000 ⇔ 255	0–100%
13	Blau 3	000 ⇔ 255	0–100%
14	Weiß 3	000 ⇔ 255	0–100%
15	Strobe	000 ⇔ 010 011 ⇔ 255	Keine Funktion Strobe, langsam bis schnell

Kanal	Funktion	Wert	Prozent/Einstellung
16	Farbe Makro	000 ⇔ 010	Keine Funktion
		011 ⇔ 030	R: 100% G: 0–100% B: 0%
		031 ⇔ 050	R: 100–0% G: 100% B: 0%
		051 ⇔ 070	R: 0% G: 100% B: 0–100%
		071 ⇔ 090	R: 0% G: 100–0% B: 100%
		091 ⇔ 110	R: 0–100% G: 0% B: 100%
		111 ⇔ 130	R: 100% G: 0% B: 100–0%
		131 ⇔ 150	R: 100% G: 0–100% B: 0–100%
		151 ⇔ 170	R: 100% G: 100–0% B: 100%
		171 ⇔ 200	R: 100% G: 100% B: 100%
		201 ⇔ 205	Dunkler Bernstein
		206 ⇔ 210	Bernstein
		211 ⇔ 215	Leicht bernsteinfarben
		216 ⇔ 220	Dunkelpink
		221 ⇔ 225	Rosa
		226 ⇔ 230	Hell-Pink
		231 ⇔ 235	Keine Farbe pink
		236 ⇔ 240	Keine Farbe blau
241 ⇔ 245	Hellblau		
246 ⇔ 250	Kornblumenblau		
251 ⇔ 255	Hellblau		
17	Farbtemperatur	000 ⇔ 005	Keine Funktion
		006 ⇔ 025	2800K
		026 ⇔ 050	3200K
		051 ⇔ 075	3500K
		076 ⇔ 100	4000K
		101 ⇔ 125	4500K
		126 ⇔ 150	5000K
		151 ⇔ 175	5600K
		176 ⇔ 200	6000K
		201 ⇔ 225	6500K
226 ⇔ 255	Keine Funktion		
18	Auto-Programme	000 ⇔ 010	Keine Funktion
		011 ⇔ 037	Auto-Programm 1
		038 ⇔ 064	Auto-Programm 2
		065 ⇔ 091	Auto-Programm 3
		092 ⇔ 118	Auto-Programm 4
		119 ⇔ 145	Auto-Programm 5 (Auto-Programm 1–4)
		146 ⇔ 172	Auto-Programm 6
		173 ⇔ 199	Auto-Programm 7
		200 ⇔ 226	Auto-Programm 8
		227 ⇔ 255	Auto-Programm 9 (Auto-Programm 6–8)
19	Programmgeschwindigkeit	000 ⇔ 255	Geschwindigkeit, langsam bis schnell
20	Dimmergeschwindigkeit	000 ⇔ 051	Dimmergeschwindigkeit von Anzeige eingestellt
		052 ⇔ 101	Dimmer-Geschwindigkeits-Modus aus
		102 ⇔ 152	Dimmer-Geschwindigkeits-Modus 1 (schnellste)
		153 ⇔ 203	Dimmer-Geschwindigkeits-Modus 2
204 ⇔ 255	Dimmer-Geschwindigkeits-Modus 3 (langsamste)		
21	Roter Übergang	000 ⇔ 010	Keine Funktion
		011 ⇔ 127	Roter Übergang aktiviert
		128 ⇔ 255	Roter Übergang deaktiviert

DE

13 Ch

Kanal	Funktion	Wert	Prozent/Einstellung
1	Dimmer	000 ⇔ 255	0–100%
2	Dimmer fein	000 ⇔ 255	0–100%
3	Rot	000 ⇔ 255	0–100%
4	Grün	000 ⇔ 255	0–100%
5	Blau	000 ⇔ 255	0–100%
6	Weiß	000 ⇔ 255	0–100%
7	Strobe	000 ⇔ 010 011 ⇔ 255	Keine Funktion Strobe, langsam bis schnell
8	Farbe Makro	000 ⇔ 010 011 ⇔ 030 031 ⇔ 050 051 ⇔ 070 071 ⇔ 090 091 ⇔ 110 111 ⇔ 130 131 ⇔ 150 151 ⇔ 170 171 ⇔ 200 201 ⇔ 205 206 ⇔ 210 211 ⇔ 215 216 ⇔ 220 221 ⇔ 225 226 ⇔ 230 231 ⇔ 235 236 ⇔ 240 241 ⇔ 245 246 ⇔ 250 251 ⇔ 255	Keine Funktion R: 100% G: 0–100% B: 0% R: 100–0% G: 100% B: 0% R: 0% G: 100% B: 0–100% R: 0% G: 100–0% B: 100% R: 0–100% G: 0% B: 100% R: 100% G: 0% B: 100–0% R: 100% G: 0–100% B: 0–100% R: 100% G: 100–0% B: 100% R: 100% G: 100% B: 100% Dunkler Bernstein Bernstein Leicht bernsteinfarben Dunkelpink Rosa Hell-Pink Keine Farbe pink Keine Farbe blau Hellblau Kornblumenblau Hellblau
9	Farbtemperatur	000 ⇔ 005 006 ⇔ 025 026 ⇔ 050 051 ⇔ 075 076 ⇔ 100 101 ⇔ 125 126 ⇔ 150 151 ⇔ 175 176 ⇔ 200 201 ⇔ 225 226 ⇔ 255	Keine Funktion 2800K 3200K 3500K 4000K 4500K 5000K 5600K 6000K 6500K Keine Funktion
10	Auto-Programme	000 ⇔ 010 011 ⇔ 037 038 ⇔ 064 065 ⇔ 091 092 ⇔ 118 119 ⇔ 145 146 ⇔ 172 173 ⇔ 199 200 ⇔ 226 227 ⇔ 255	Keine Funktion Auto-Programm 1 Auto-Programm 2 Auto-Programm 3 Auto-Programm 4 Auto-Programm 5 (Auto-Programm 1–4) Auto-Programm 6 Auto-Programm 7 Auto-Programm 8 Auto-Programm 9 (Auto-Programm 6–8)
11	Programmgeschwindigkeit	000 ⇔ 255	Geschwindigkeit, langsam bis schnell

Kanal	Funktion	Wert	Prozent/Einstellung
12	Dimmergeschwindigkeit	000 ⇔ 051	Dimmergeschwindigkeit von Anzeige eingestellt
		052 ⇔ 101	Dimmer-Geschwindigkeits-Modus aus
		102 ⇔ 152	Dimmer-Geschwindigkeits-Modus 1 (schnellste)
		153 ⇔ 203	Dimmer-Geschwindigkeits-Modus 2
		204 ⇔ 255	Dimmer-Geschwindigkeits-Modus 3 (langsamste)
13	Roter Übergang	000 ⇔ 010	Keine Funktion
		011 ⇔ 127	Roter Übergang aktiviert
		128 ⇔ 255	Roter Übergang deaktiviert

12 Ch

Kanal	Funktion	Wert	Prozent/Einstellung
1	Rot 1	000 ⇔ 255	0–100%
2	Grün 1	000 ⇔ 255	0–100%
3	Blau 1	000 ⇔ 255	0–100%
4	Weiß 1	000 ⇔ 255	0–100%
5	Rot 2	000 ⇔ 255	0–100%
6	Grün 2	000 ⇔ 255	0–100%
7	Blau 2	000 ⇔ 255	0–100%
8	Weiß 2	000 ⇔ 255	0–100%
9	Rot 3	000 ⇔ 255	0–100%
10	Grün 3	000 ⇔ 255	0–100%
11	Blau 3	000 ⇔ 255	0–100%
12	Weiß 3	000 ⇔ 255	0–100%

8 Ch

Kanal	Funktion	Wert	Prozent/Einstellung
1	Dimmer	000 ⇔ 255	0–100%
2	Dimmer fein	000 ⇔ 255	0–100%
3	Rot	000 ⇔ 255	0–100%
4	Grün	000 ⇔ 255	0–100%
5	Blau	000 ⇔ 255	0–100%
6	Weiß	000 ⇔ 255	0–100%
7	Strobe	000 ⇔ 010	Keine Funktion
		011 ⇔ 255	Strobe, langsam bis schnell
8	Roter Übergang	000 ⇔ 010	Keine Funktion
		011 ⇔ 127	Roter Übergang aktiviert
		128 ⇔ 255	Roter Übergang deaktiviert

4 Ch

Kanal	Funktion	Wert	Prozent/Einstellung
1	Rot	000 ⇔ 255	0–100%
2	Grün	000 ⇔ 255	0–100%
3	Blau	000 ⇔ 255	0–100%
4	Weiß	000 ⇔ 255	0–100%

Over deze handleiding

De WELL Panel Beknopte Handleiding (BH) bevat basisinformatie over het product, zoals aansluiting, montage, menu-opties en DMX-waarden. Download de gebruikershandleiding op www.chauvetprofessional.com voor meer informatie.

Disclaimer

De informatie en specificaties in deze BH kunnen zonder voorafgaande kennisgeving worden gewijzigd.

BEPERKTE GARANTIE

GA NAAR ONZE WEBSITE VOOR REGISTRATIE VAN DE GARANTIE EN DE VOLLEDIGE ALGEMENE VOORWAARDEN.

Voor klanten in de Verenigde Staten en Mexico: www.chauvetlighting.com/warranty-registration.

Voor klanten in het Verenigd Koninkrijk, Ierland, België, Nederland, Luxemburg, Frankrijk en Duitsland: www.chauvetlighting.eu/warranty-registration.

Chauvet garandeert dat dit product bij normaal gebruik vrij zal blijven van defecten in materiaal en vakmanschap, voor de opgegeven periode en onder voorbehoud van de uitzonderingen en beperkingen die zijn uiteengezet in de volledige beperkte garantie op onze website. Deze garantie geldt uitsluitend voor de oorspronkelijke koper van het product en is niet overdraagbaar. Om onder deze garantie rechten uit te oefenen, moet u een aankoopbewijs overleggen in de vorm van een origineel verkoopbewijs van een geautoriseerde dealer, waarop de naam van het product en de aankoopdatum zichtbaar zijn. ER ZIJN GEEN ANDERE EXPLICIETE OF IMPLICIETE GARANTIES. Deze garantie geeft u specifieke wettelijke rechten. Mogelijk heeft u ook andere rechten die van staat tot staat en van land tot land verschillen. Deze garantie is uitsluitend geldig in de Verenigde Staten, het Verenigd Koninkrijk, Ierland, België, Nederland, Luxemburg, Frankrijk, Duitsland en Mexico. Neem contact op met uw lokale verkoper voor garantievoorwaarden in andere landen.

Veiligheidsinstructies

Deze veiligheidsinstructies bevatten belangrijke informatie over de installatie, het gebruik en het onderhoud.

- Open het product NIET. Het bevat geen te onderhouden onderdelen.
- KIJK NIET in de lichtbron wanneer het apparaat is ingeschakeld.
- Om onnodige slijtage te elimineren en zijn levensduur te verlengen, gedurende perioden wanneer het product niet wordt gebruikt, moet u het product van de stroom afsluiten door een aardlekschakelaar om te zetten of door het te ontkoppelen.
- LET OP: Bij het verplaatsen van het product uit extreme omgevingen, (bijv. koude vrachtwagen naar warme, vochtige balzaal) kan er condensvorming optreden op de elektronica van het product. Om storingen te vermijden moet het product volledig kunnen acclimatiseren aan de omgeving voordat het op stroom wordt aangesloten.
- LET OP: De behuizing van dit product kan heet zijn wanneer het in bedrijf is.
- Monteer dit product op een plek met voldoende ventilatie, ten minste 50 cm van de aangrenzende oppervlakken.
- Plaats geen ontvlambaar materiaal binnen 50 cm van dit product als het in gebruik is of is aangesloten op het stopcontact.
- GEBRUIK een veiligheidskabel bij het boven het hoofd plaatsen van dit product.
- Dit product NIET onderdompelen (IP65). Regelmatig gebruik buitenshuis is prima.
- Gebruik dit product NIET als de behuizing, lenzen of kabels beschadigd lijken.
- Sluit dit product NIET aan op een dimmer of een regelweerstand.
- Sluit dit product UITSLUITEND op een geaard en beveiligd stroomcircuit.
- De maximale omgevingstemperatuur bedraagt 45 °C. Gebruik dit product niet bij hogere temperaturen.
- De minimale opstarttemperatuur is -20° C. Start het product niet op bij lagere temperaturen.
- De minimale omgevingstemperatuur is -30 °C. Gebruik het product niet bij lagere temperaturen.
- Stop in het geval van ernstige operationele problemen onmiddellijk met het gebruik.

FCC-naleving

Dit apparaat voldoet aan Part 15 Part B van de FCC-regels. Het gebruik is onderworpen aan de volgende twee voorwaarden:

1. Dit apparaat mag geen schadelijke interferentie veroorzaken, en
2. Dit apparaat moet enige ontvangen interferentie accepteren, inclusief interferentie die een ongewenste werking kan veroorzaken.

Eventuele wijzigingen of aanpassingen die niet uitdrukkelijk door de voor naleving verantwoordelijke partij zijn goedgekeurd, kan de bevoegdheid van de gebruiker om de apparatuur te bedienen ongeldig verklaren.

RF-blootstellingswaarschuwing voor Noord-Amerika en Australië

Waarschuwing! Deze apparatuur voldoet aan de FCC-limieten voor blootstelling aan straling die zijn vastgesteld voor een ongecontroleerde omgeving. Deze apparatuur moet geplaatst en gebruikt worden met een minimale afstand van 20 cm tussen de radiator en uw lichaam. Deze zender mag niet op dezelfde locatie worden gebruikt als of geplaatst worden bij een andere antenne of zender.

Contact

Van buiten de VS, Verenigd Koninkrijk, Ierland, Benelux, Frankrijk, Duitsland of Mexico kunt u contact opnemen met de distributeur of om ondersteuning vragen dan wel het product retourneren. Ga naar www.chauvetprofessional.com voor contactinformatie.

Wat is inbegrepen

- WELL Panel
- Seetronic Powerkon IP65 stroomsnoer
- Kleurenmengfilterlens
- Omegabeugel met bevestigingsapparatuur
- Beknopte handleiding

AC-Stroom

Dit product heeft een voeding met automatisch bereik die werkt met een ingangsspanning van 100–240 VAC, 50/60 Hz.

AC-stekker

Aansluiting	Snoer (VS)	Snoer (Europa)	Schroefkleur
AC Live	Zwart	Bruin	Geel/messing
AC Neutraal	Wit	Blauw	Zilver
AC Aarde	Groen/geel	Groen/geel	Groen



Om onnodige slijtage te elimineren en zijn levensduur te verlengen, gedurende perioden wanneer het product niet wordt gebruikt, moet u het product van de stroom afsluiten door een aardlekschakelaar om te zetten of door het te ontkoppelen.

Opmerkingen over het laden van de accu

Dit product is uitgerust met een ingebouwde oplaadbare lithium-ion accu.

- Gebruik de accu als het accupercentage onder de 10% ligt.
- Voor het beste resultaat moet de accu opgeladen worden in een temperatuur tussen 0 °C en 35 °C.
- Bij het opladen van de accu moet het product ten minste 1 m van open vuur of een hete plaat gehouden worden.
- Als de accu helemaal leeg is, mag het apparaat niet direct aangezet worden zodra de lader wordt aangesloten. Laat een leeggelopen accu enkele minuten opladen voordat u het apparaat aanzet.
- Tijdens het opladen kan het apparaat warm worden. Dit is normaal en is niet van invloed op de levensduur of prestaties van het apparaat. Als de accu warmer worden dan normaal kan de oplader het opladen stoppen.
- Bij het opladen van de accu moet u het deksel van de opbergkoffer open houden.
- Laad de accu altijd op met het product rechtop.
- Laad de accu niet langer op dan 24 uur

Opmerkingen over de opslag

- Bewaar opgeladen product(en) in een droge omgeving, uit de buurt van direct zonlicht.
- Voordat u de accu opbergt kunt u deze het beste opladen of ontladen tot 50% van het accuvermogen.
- Lithium-Ion-accu's ontladen langzaam (zelfontlading) wanneer ze niet gebruikt worden of tijdens opslag. Controleer de oplaadstatus van de accu regelmatig
- Bewaar de accu bij temperaturen tussen 5 °C en 20 °C.
- Bewaar het product altijd rechtop ($\leq 10^\circ$ kanteling).



LET OP: De aan/uit-stand staan voordat u het product in de oplaadkoffer stopt.

DMX-koppeling

De WELL Panel kan met een DMX-controller werken met een normale DMX seriële verbinding of met een draadloze DMX verbinding. Op www.chauvetprofessional.com is een DMX-basishandleiding verkrijgbaar.

DMX-aansluiting

De WELL Panel gebruikt een normale of een draadloze DMX-gegevensverbinding voor zijn DMX-persoonlijkheden: **4Ch**, **8Ch**, **12Ch**, **13Ch**, en **21Ch**. Zie de gebruikershandleiding om te verbinden en te configureren voor DMX-werking.

Master/slave-verbinding

De WELL Panel maakt gebruik van de DMX-dataverbinding voor haar Master-/Slave-modus. Zie de gebruikershandleiding om te verbinden en te configureren voor Master/Slave-werking.

Draadloze bediening

In optimale omstandigheden, kan de WELL Panel werken tot een afstand van 300 m van de W-DMX zender. De W-DMX ontvanger in de WELL Panel moet met de W-DMX zender zijn gekoppeld voor draadloze werking.

Eerste opstelling

1. Schakel de W-DMX-zender in.
2. Sluit de W-DMX-zender aan op een DMX-regelaar.
3. Plaats de WELL Panel binnen 300 m van de W-DMX-zender.
4. Ontkoppel alle DMX-kabels van de WELL Panel.
5. Schakel de WELL Panel in.

Configuratie

1. Ga vanuit het bedieningspaneel van de WELL Panel naar het **DMX Address**.
2. Kies het startadres, zoals bij elk ander DMX-compatibel product.
3. Ga naar **Wireless Setting > Receive On/Off**.
4. Kier **On**. (De aanduiding van de signaalsterkte toont een ? voor de streepjes)
5. Druk op de W-DMX-zender op de resetknop. (De indicator van de signaalsterkte op de WELL Panel toont 3 seconden een ⚡ voor de streepjes terwijl een verbinding wordt opgestart.)

Koppelen van het product

Als de WELL Panel al is gekoppeld met de W-DMX-zender, toont de indicator voor de signaalsterkte in het midden van het OLED-scherm de signaalsterkte. In dit geval is de WELL Panel al klaar voor gebruik in de draadloze modus.

1. Ga vanuit het bedieningspaneel van de WELL Panel naar **Wireless Setting**.
2. Kies **Reset**. (De aanduiding van de signaalsterkte op de WELL Panel toont een ? voor de streepjes)
3. Druk vanuit de W-DMX-zender op **<RESET>** (de signaalaanduiding op de zender zal knipperen)
4. Nadat de zender de WELL Panel heeft gevonden, zal de signaalaanduiding op de W-DMX zender onafgebroken branden.
5. De aanduiding voor de signaalsterkte in het midden van het OLED-scherm op de WELL Panel toont de signaalsterkte.



De werking van W-DMX kan worden verstoord of onderbroken door vloeistofmassa's tussen de zender en de ontvanger, zoals water, sneeuw of mensen. Houd het gebied tussen de zender en de ontvanger voor de beste resultaten vrij van vloeistofmassa.

RDM (apparaatbeheer op afstand)

Remote Device Management of RDM (apparaatbeheer op afstand) is een standaard die het voor DMX-apparaten mogelijk maakt om in twee richtingen te communiceren over bestaande DMX-kabels. De WELL Panel ondersteunt het RDM-protocol dat zorgt feedback toelaat bij de bewaking van Temperatuur en wijzigingen aan de menu opties van **DMX Address**, **DMX Channel**, **Dimmer Mode**, en **LED Frequency**. Download de gebruikershandleiding op www.chauvetprofessional.com voor meer informatie.

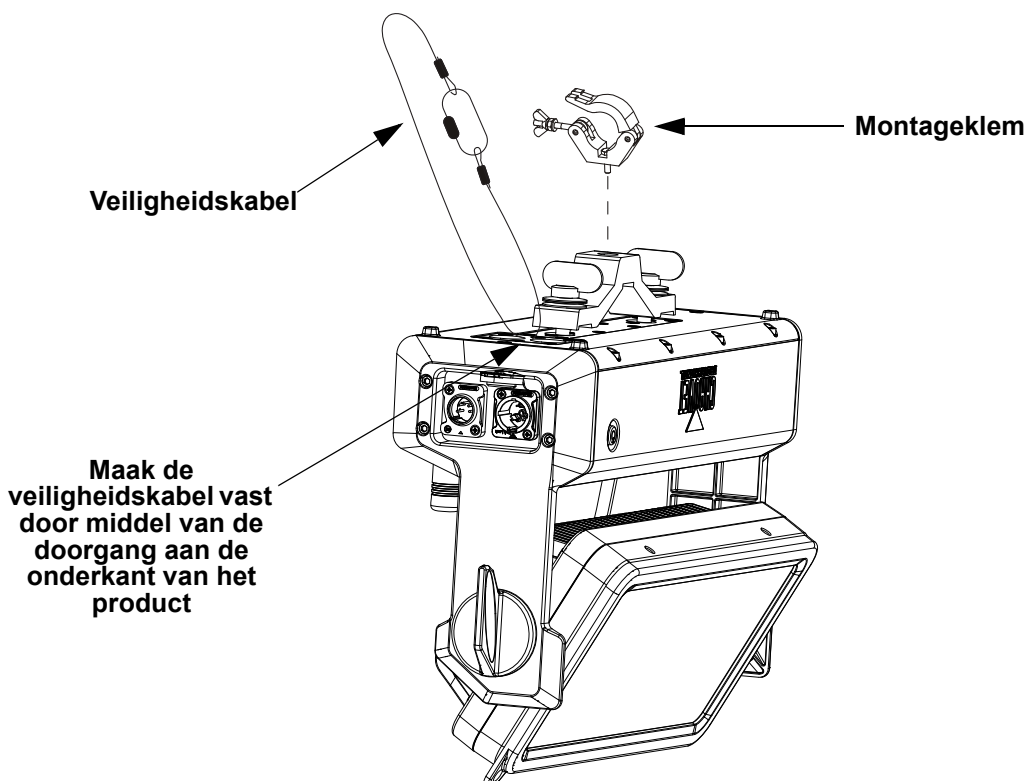
Kleurenmengfilterlens

De kleurenmengfilterlens produceert een zeer gelijkmatig licht die zacht is bij de randen. De kleurenmengfilterlens is eenvoudig te bevestigen met de ingebouwde magneten.

Montage

Lees alvorens dit product te monteren alle [Veiligheidsinstructies](#). Gebruik ten minste montagepunt per product. Controleer of de montageklem het gewicht van het product kan dragen. Ga voor onze Chauvet-serie montageklemmen naar <http://trusst.com/products>.

Montagediagram



Kleurtemperatuur-kaart

DMX-waarde	Weergave op het display
000 ⇔ 005	--
006 ⇔ 025	2800K
026 ⇔ 050	3200K
051 ⇔ 075	3500K
076 ⇔ 100	4000K
101 ⇔ 125	4500K
126 ⇔ 150	5000K
151 ⇔ 175	5600K
176 ⇔ 200	6000K
201 ⇔ 225	6500K
226 ⇔ 255	--



De bovenstaande kleurtemperaturen zijn gesimuleerde weergaven van de geproduceerde kleuropbrengst, in vergelijking met een wolfram-lamp bij de opgegeven kleurtemperatuur. Chauvet geeft geen garantie over de nauwkeurigheid van de kleuropbrengst.

Beschrijving bedieningspaneel

Toet	Functie
<MODE>	Sluit het huidige menu of functie af
<ENTER>	Activeert het huidige getoonde menu of plaatst de huidige geselecteerde waarde in de geselecteerde functie
<UP>	Navigeert omhoog via het menu of verhoogt de numerieke waarde wanneer in een functie
<DOWN>	Navigeert omlaag via het menu of verlaagt de numerieke waarde wanneer in een functie

Menu map

Raadpleeg de productpagina van WELL Panel op www.chauvetprofessional.com voor de nieuwste menukaart.

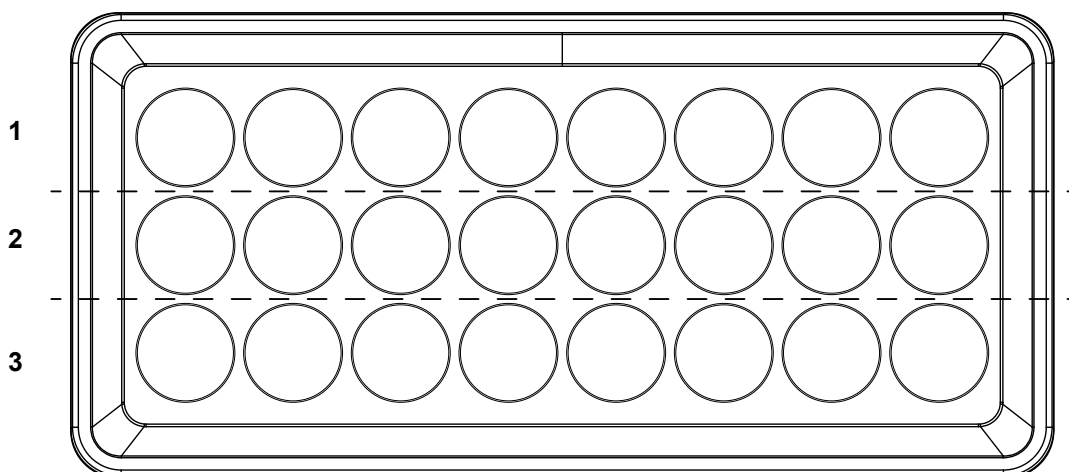
Hoofdniveau	Programmeerniveaus		Beschrijving	
DMX Address	001–509		Selecteert het start-adres (hoogste kanaal beperkt tot de gekozen persoonlijkheid)	
DMX Channel	4 Ch		4-kanaal: RGBW	
	8 Ch		8-kanaal: 16-bit dimmer, RGBW, stroboscoop, red shift	
	12 Ch		12-kanaal: 3-zone RGBW	
	13 Ch		13-kanaal: 16-bit dimmer, RGBW, stroboscoop, kleur macro, kleurtemperatuur, programma's, snelheid, dimmersnelheidsmodus, red shift	
	21 Ch		21-kanaal: 16-bit dimmer, 3-zone RGBW, stroboscoop, kleur macro, kleurtemperatuur, programma's, snelheid, dimmersnelheidsmodus, red shift	
Static	Fixed Color	R	Rood	
		G	Groen	
		B	Blauw	
		W	Wit	
		GB	Groen en blauw	
		RB	Rood en blauw	
		RG	Rood en groen	
		RGB	Rood, groen en blauw	
		RW	Rood en wit	
		GW	Groen en wit	
		BW	Blauw en wit	
		RGW	Rood, groen en wit	
		RBW	Rood, blauw en wit	
	GBW	Groen, blauw en wit		
	RGBW	Rood, groen, blauw en wit		
	Color Temperature	2800K	000–255	Vooringestelde witte kleurtemperaturen. Emuleert een wolfram-lamp bij de opgegeven kleurtemperatuur.
		3200K		
		3500K		
		4000K		
		4500K		
		5000K		
5600K				
6000K				
6500K				
Manual Color Mixer	Red	000–255	Combineert rood, groen, blauw en wit om een aangepaste kleur te genereren (0–100%)	
	Green			
	Blue			
	White			
Auto Show	Auto 1–9	001–100	Selecteert automatische programma's en automatische programmasnelheid	
Red Shift	On		Zet Red Shift aan of uit (Amber-LED's imiteren lamp bij het dimmen)	
	Off			
Master/Slave	Master		DMX-modus (Master)	
	Slave		Slave-modus	
Dimmer Mode	Off		Lineaire dimmer	
	Dimmer 1–3		Selecteert dimprofielen van snel (Dimmer 1) tot langzaam (Dimmer 3)	
Dimmer Curve	Linear		Lineaire dimmer	
	Square		Dimmer met vierkante curve	
	I Squa		Dimmer met omgekeerde vierkante curve	
	Scurve		Dimmer met S-curve	

Hoofdniveau	Programmeerniveaus		Beschrijving
White Balance	Manual	Off	Gebruikt standaard witte instelling
		Red	Stelt de maximum waarde van de rode LED in
		Green	Stelt de maximum waarde van de groene LED in
		Blue	Stelt de maximum waarde van de blauwe LED in
		White	Stelt de maximum waarde van de witte LED in
LED Frequency	125–255		Selecteert de PWM-uitgangsfrequentie
	600Hz		
	1200Hz		
	2000Hz		
	4000Hz		
	6000Hz		
Wireless Setting	Receive On/Off	On	Schakelt de DMX-functie aan/uit
		Off	
	Receive Reset	No	Schakelt het uit DMX-functie DMX-sigitaal aan/uit
		Yes	
Line Voltage Power Loss Mode	Stay In State		Als de lijnvoeding wegvalt, blijft het armatuur onder accuspanning werken zoals is geprogrammeerd (standaard)
	All At Full		Na 5 seconden verlies van lijnvermogen gaan alle leds naar volledig vermogen (terug naar normale werking wanneer het lijnvermogen hersteld is)
	Dim Out		Na 5 seconden verlies van lijnvermogen zullen de leds in een dimactie van 10 seconden naar zwart vervagen (terug naar normale werking wanneer het lijnvermogen hersteld is)
Run Time	Off		Maximale intensiteit, waardoor de batterijduur wordt beperkt
	3 Hours		Verminderde intensiteit, waardoor de gebruiksduur van de batterij wordt beperkt tot 3 uur
	5 Hours		Verminderde intensiteit, waardoor de gebruiksduur van de batterij wordt beperkt tot 5 uur
	8 Hours		Verminderde intensiteit, waardoor de gebruiksduur van de batterij wordt beperkt tot 8 uur
	12 Hours		Verlengt de batterij tot de maximale gebruiksduur van 12 uur
Back Light	10S		Schakelt de backlight van de display uit na 10s van inactiviteit
	30S		Schakelt de backlight van de display uit na 30s van inactiviteit
	2Min		Schakelt de backlight van de display uit na 2 minuten van inactiviteit
	Always On		De backlight van de display is altijd aan
Key Lock	On		Vergrendelt het display (wachtwoord is <UP>, <DOWN>, <UP>, <DOWN>, <ENTER>)
	Off		
Information	Fixture Hours	<_ _ _ _ H>	Toont het totale aantal producturen
	Version	<V _ _>	Toont de geïnstalleerde softwareversie
	UID	<_ _ _ _ _>	Geeft de huidige UID
Reset Factory	No		Herstellen naar de fabrieksstandaard
	Yes		

NL

DMX-waarden

Zones voor DMX-besturing



21 Ch

Kanaal	Functie	Waarde	Percentage/Instelling
1	Dimmer	000 ⇔ 255	0–100%
2	Fijne dimmer	000 ⇔ 255	0–100%
3	Rood 1	000 ⇔ 255	0–100%
4	Groen 1	000 ⇔ 255	0–100%
5	Blauw 1	000 ⇔ 255	0–100%
6	Wit 1	000 ⇔ 255	0–100%
7	Rood 2	000 ⇔ 255	0–100%
8	Groen 2	000 ⇔ 255	0–100%
9	Blauw 2	000 ⇔ 255	0–100%
10	Wit 2	000 ⇔ 255	0–100%
11	Rood 3	000 ⇔ 255	0–100%
12	Groen 3	000 ⇔ 255	0–100%
13	Blauw 3	000 ⇔ 255	0–100%
14	Wit 3	000 ⇔ 255	0–100%
15	Stroboscoop	000 ⇔ 010 011 ⇔ 255	Geen functie Stroboscoop, langzaam tot snel

Kanaal	Functie	Waarde	Percentage/Instelling
16	Kleurenmacro	000 ⇔ 010	Geen functie
		011 ⇔ 030	R: 100% G: 0–100% B: 0%
		031 ⇔ 050	R: 100–0% G: 100% B: 0%
		051 ⇔ 070	R: 0% G: 100% B: 0–100%
		071 ⇔ 090	R: 0% G: 100–0% B: 100%
		091 ⇔ 110	R: 0–100% G: 0% B: 100%
		111 ⇔ 130	R: 100% G: 0% B: 100–0%
		131 ⇔ 150	R: 100% G: 0–100% B: 0–100%
		151 ⇔ 170	R: 100% G: 100–0% B: 100%
		171 ⇔ 200	R: 100% G: 100% B: 100%
		201 ⇔ 205	Donker amber
		206 ⇔ 210	Amber
		211 ⇔ 215	Licht amber
		216 ⇔ 220	Donker roze
		221 ⇔ 225	Roze
		226 ⇔ 230	Lichtroze
		231 ⇔ 235	Geen kleur roze
236 ⇔ 240	Geen kleur blauw		
241 ⇔ 245	Lichtblauw		
246 ⇔ 250	Korenbloemblauwe		
251 ⇔ 255	Licht lichtblauw		
17	Kleurtemperatuur	000 ⇔ 005	Geen functie
		006 ⇔ 025	2800K
		026 ⇔ 050	3200K
		051 ⇔ 075	3500K
		076 ⇔ 100	4000K
		101 ⇔ 125	4500K
		126 ⇔ 150	5000K
		151 ⇔ 175	5600K
		176 ⇔ 200	6000K
		201 ⇔ 225	6500K
		226 ⇔ 255	Geen functie
18	Automatisch programma's	000 ⇔ 010	Geen functie
		011 ⇔ 037	Automatisch programma 1
		038 ⇔ 064	Automatisch programma 2
		065 ⇔ 091	Automatisch programma 3
		092 ⇔ 118	Automatisch programma 4
		119 ⇔ 145	Automatisch programma 5 (programma 1–4)
		146 ⇔ 172	Automatisch programma 6
		173 ⇔ 199	Automatisch programma 7
		200 ⇔ 226	Automatisch programma 8
		227 ⇔ 255	Automatisch programma 9 (programma 6–8)
19	Programmasnelheid	000 ⇔ 255	Automatisch programmasnelheid, langzaam tot snel
20	Dimmermodus	000 ⇔ 051	Voorinstelling van de dimmersnelheid vanaf het displaymenu
		052 ⇔ 101	Dimmer snelheidsmodus uit
		102 ⇔ 152	Dimmer snelheidsmodus 1 (snel)
		153 ⇔ 203	Dimmer snelheidsmodus 2
		204 ⇔ 255	Dimmer snelheidsmodus 3 (langzaam)
21	Red Shift	000 ⇔ 010	Geen functie
		011 ⇔ 127	Aan
		128 ⇔ 255	Uit

NL

13 Ch

Kanaal	Functie	Waarde	Percentage/Instelling
1	Dimmer	000 ⇔ 255	0–100%
2	Fijne dimmer	000 ⇔ 255	0–100%
3	Rood	000 ⇔ 255	0–100%
4	Groen	000 ⇔ 255	0–100%
5	Blauw	000 ⇔ 255	0–100%
6	Wit	000 ⇔ 255	0–100%
7	Stroboscoop	000 ⇔ 010 011 ⇔ 255	Geen functie Stroboscoop, langzaam tot snel
8	Kleurenmacro	000 ⇔ 010 011 ⇔ 030 031 ⇔ 050 051 ⇔ 070 071 ⇔ 090 091 ⇔ 110 111 ⇔ 130 131 ⇔ 150 151 ⇔ 170 171 ⇔ 200 201 ⇔ 205 206 ⇔ 210 211 ⇔ 215 216 ⇔ 220 221 ⇔ 225 226 ⇔ 230 231 ⇔ 235 236 ⇔ 240 241 ⇔ 245 246 ⇔ 250 251 ⇔ 255	Geen functie R: 100% G: 0–100% B: 0% R: 100–0% G: 100% B: 0% R: 0% G: 100% B: 0–100% R: 0% G: 100–0% B: 100% R: 0–100% G: 0% B: 100% R: 100% G: 0% B: 100–0% R: 100% G: 0–100% B: 0–100% R: 100% G: 100–0% B: 100% R: 100% G: 100% B: 100% Donker amber Amber Licht amber Donker roze Roze Lichtroze Geen kleur roze Geen kleur blauw Lichtblauw Korenbloemblauwe Licht lichtblauw
9	Kleurtemperatuur	000 ⇔ 005 006 ⇔ 025 026 ⇔ 050 051 ⇔ 075 076 ⇔ 100 101 ⇔ 125 126 ⇔ 150 151 ⇔ 175 176 ⇔ 200 201 ⇔ 225 226 ⇔ 255	Geen functie 2800K 3200K 3500K 4000K 4500K 5000K 5600K 6000K 6500K Geen functie
10	Automatisch programma's	000 ⇔ 010 011 ⇔ 037 038 ⇔ 064 065 ⇔ 091 092 ⇔ 118 119 ⇔ 145 146 ⇔ 172 173 ⇔ 199 200 ⇔ 226 227 ⇔ 255	Geen functie Automatisch programma 1 Automatisch programma 2 Automatisch programma 3 Automatisch programma 4 Automatisch programma 5 (programma 1–4) Automatisch programma 6 Automatisch programma 7 Automatisch programma 8 Automatisch programma 9 (programma 6–8)
11	Programmasnelheid	000 ⇔ 255	Automatisch programmasnelheid, langzaam tot snel

Kanaal	Functie	Waarde	Percentage/Instelling
12	Dimmermodus	000 ⇔ 051	Voorinstelling van de dimmersnelheid vanaf het displaymenu
		052 ⇔ 101	Dimmer snelheidsmodus uit
		102 ⇔ 152	Dimmer snelheidsmodus 1 (snel)
		153 ⇔ 203	Dimmer snelheidsmodus 2
		204 ⇔ 255	Dimmer snelheidsmodus 3 (langzaam)
13	Red Shift	000 ⇔ 010	Geen functie
		011 ⇔ 127	Aan
		128 ⇔ 255	Uit

12 Ch

Kanaal	Functie	Waarde	Percentage/Instelling
1	Rood 1	000 ⇔ 255	0–100%
2	Groen 1	000 ⇔ 255	0–100%
3	Blaauw 1	000 ⇔ 255	0–100%
4	Wit 1	000 ⇔ 255	0–100%
5	Rood 2	000 ⇔ 255	0–100%
6	Groen 2	000 ⇔ 255	0–100%
7	Blaauw 2	000 ⇔ 255	0–100%
8	Wit 2	000 ⇔ 255	0–100%
9	Rood 3	000 ⇔ 255	0–100%
10	Groen 3	000 ⇔ 255	0–100%
11	Blaauw 3	000 ⇔ 255	0–100%
12	Wit 3	000 ⇔ 255	0–100%

8 Ch

Kanaal	Functie	Waarde	Percentage/Instelling
1	Dimmer	000 ⇔ 255	0–100%
2	Fijne dimmer	000 ⇔ 255	0–100%
3	Rood	000 ⇔ 255	0–100%
4	Groen	000 ⇔ 255	0–100%
5	Blaauw	000 ⇔ 255	0–100%
6	Wit	000 ⇔ 255	0–100%
7	Stroboscoop	000 ⇔ 010	Geen functie
		011 ⇔ 255	Stroboscoop, langzaam tot snel
8	Red Shift	000 ⇔ 010	Geen functie
		011 ⇔ 127	Aan
		128 ⇔ 255	Uit

4 Ch

Kanaal	Functie	Waarde	Percentage/Instelling
1	Rood	000 ⇔ 255	0–100%
2	Groen	000 ⇔ 255	0–100%
3	Blaauw	000 ⇔ 255	0–100%
4	Wit	000 ⇔ 255	0–100%

Contact Us

General Information	Technical Support
World Headquarters	
Address: 5200 NW 108th Ave. Sunrise, FL 33351 Voice: (954) 577-4455 Fax: (954) 929-5560 Toll Free: (800) 762-1084	Voice: (844) 393-7575 Fax: (954) 756-8015 Email: chauvetcs@chauvetlighting.com Website: www.chauvetprofessional.com
UK	
Address: Unit 1C Brookhill Road Industrial Estate Pinxton, Nottingham, UK NG16 6NT Voice: +44 (0) 1773 511115 Fax: +44 (0) 1773 511110	Email: UKtech@chauvetlighting.eu Website: www.chauvetprofessional.eu
Benelux	
Address: Stokstraat 18 9770 Kruishoutem Belgium Voice: +32 9 388 93 97	Email: BNLtech@chauvetlighting.eu Website: www.chauvetprofessional.eu
France	
Address: 3, Rue Ampère 91380 Chilly-Mazarin France Voice: +33 1 78 85 33 59	Email: FRtech@chauvetlighting.fr Website: www.chauvetprofessional.eu
Germany	
Address: Bruno-Bürgel-Str. 11 28759 Bremen Germany Voice: +49 421 62 60 20	Email: DEtech@chauvetlighting.de Website: www.chauvetprofessional.eu
Mexico	
Address: Av. de las Partidas 34 - 3B (Entrance by Calle 2) Zona Industrial Lerma Lerma, Edo. de México, CP 52000 Voice: +52 (728) 690-2010	Email: servicio@chauvet.com.mx Website: www.chauvetprofessional.mx

Visit the applicable website above to verify our contact information and instructions to request support. Outside the U.S., U.K., Ireland, Mexico, France, Germany, or Benelux, contact the dealer of record.

